

Basic User's Guide

MFC-8950DW
MFC-8950DWT



Not all models are available in all countries.

If you need to call Customer Service

Please complete the following information for future reference:

Model Number: MFC-8950DW / MFC-8950DWT
(Circle your model number)

Serial Number: ¹ _____

Date of Purchase: _____

Place of Purchase: _____

¹ The serial number is on the back of the unit. Retain this User's Guide with your sales receipt as a permanent record of your purchase, in the event of theft, fire or warranty service.

Register your product on-line at

<http://www.brother.com/registration/>

User's Guides and where do I find them?

Which Guide?	What's in it?	Where is it?
Product Safety Guide	Read this Guide first. Please read the Safety Instructions before you set up your machine. See this Guide for trademarks and legal limitations.	Printed / In the box
Quick Setup Guide	Follow the instructions for setting up your machine and installing the drivers and software for the operating system and connection type you are using.	Printed / In the box
Basic User's Guide	Learn the basic Fax, Copy, Scan and Direct Print operations and how to replace consumables. See troubleshooting tips.	Printed / In the box For Czech Republic, Republic of Bulgaria, Republic of Hungary, Republic of Poland, Romania, Slovak Republic : PDF file / Installer CD-ROM / In the box
Advanced User's Guide	Learn more advanced operations: Fax, Copy, security features, printing reports and performing routine maintenance.	PDF file / Installer CD-ROM / In the box
Software User's Guide	Follow these instructions for Printing, Scanning, Network Scanning, Remote Setup, PC-Fax, and using the Brother ControlCenter utility.	PDF file / Installer CD-ROM / In the box
Network User's Guide	This Guide provides useful information about wired and wireless network settings and security settings using the Brother machine. You can also find supported protocol information for your machine and detailed troubleshooting tips.	PDF file / Installer CD-ROM / In the box
Wi-Fi Direct™ Guide	This Guide provides details on how to configure and use your Brother machine for wireless printing directly from a mobile device supporting the Wi-Fi Direct™ standard.	PDF file / Brother Solutions Center ²
Google Cloud Print Guide	This Guide provides details on how to configure your Brother machine to a Google account and use Google Cloud Print services for printing over the Internet from devices using Gmail™ for mobile, GOOGLE DOCS™ for mobile and applications for the Chrome OS.	PDF file / Brother Solutions Center ²

Which Guide?	What's in it?	Where is it?
Mobile Print/Scan Guide for Brother iPrint&Scan	This Guide provides useful information about printing JPEG and PDF ¹ files from your mobile device and scanning from your Brother machine to your mobile device when connected on a Wi-Fi network.	PDF file / Brother Solutions Center ²
Web Connect Guide	This Guide provides details about how to configure and use your Brother machine to scan, load and view images and files on certain Web sites that provide these services.	PDF file / Brother Solutions Center ²

¹ PDF printing is not supported on Windows® Phone.

² Visit us at <http://solutions.brother.com/>.

Table of Contents

(Basic User's Guide)

1	General information	1
	Using the documentation.....	1
	Symbols and conventions used in the documentation	1
	Accessing the Advanced User's Guide, Software User's Guide and Network User's Guide.....	2
	Viewing Documentation.....	2
	How to access the User's Guides for Advanced Features	4
	Accessing Brother Support (Windows®).....	4
	Accessing Brother Support (Macintosh).....	5
	Control panel overview.....	6
	LCD Touchscreen.....	8
	Basic Operations	9
	Volume settings.....	10
	Ring volume.....	10
	Beeper volume	10
	Speaker volume.....	10
2	Loading paper	11
	Loading paper and print media.....	11
	Loading paper in the standard paper tray and the optional lower tray	11
	Loading paper in the multi-purpose tray (MP tray)	13
	Unscannable and unprintable areas.....	16
	Paper settings.....	17
	Paper Size and Type	17
	Tray Use in Copy mode	18
	Tray Use in Fax mode	18
	Tray Use in print mode	19
	Acceptable paper and other print media.....	20
	Recommended paper and print media	20
	Type and size of paper	20
	Handling and using special paper	22
3	Loading documents	25
	How to load documents	25
	Using the automatic document feeder (ADF)	25
	Using the scanner glass	26
4	Sending a fax	27
	How to send a fax.....	27
	Faxing Letter, Legal or Folio size documents from the scanner glass	29
	Cancelling a fax in process.....	29
	Transmission Verification Report.....	29

5	Receiving a fax	31
	Receive modes	31
	Choosing the receive mode	31
	Using receive modes	33
	Fax Only	33
	Fax/Tel.....	33
	Manual.....	33
	External TAD	33
	Receive Mode settings	34
	Ring Delay	34
	F/T Ring Time (Fax/Tel mode only).....	34
	Fax Detect	35
6	Using PC-FAX	36
	How to use PC-FAX.....	36
	PC-Fax Receive (For Windows® only)	36
	PC-FAX Send	37
7	Telephone and external devices	38
	Telephone line services	38
	Setting the telephone line type	38
	Connecting an external TAD	39
	Connections.....	39
	Recording an outgoing message (OGM).....	40
	Multi-line connections (PBX)	40
	External and extension telephones.....	40
	Connecting an external or extension telephone	40
	Operation from external or extension telephones.....	41
	For Fax/Tel mode only.....	41
	Using extension telephones (U.K. only)	41
	Using a non-Brother cordless external handset	42
	Using Remote Codes	42
8	Dialling and storing numbers	44
	How to dial	44
	Manual dialling.....	44
	One Touch dialling.....	44
	Speed dialling	44
	Search	45
	LDAP search	45
	Fax redial	45
	Storing numbers	46
	Storing a pause	46
	One Touch and Speed Dial Storage Options	47
	Storing One Touch Dial numbers	48
	Storing Speed Dial numbers.....	50
	Changing or Deleting One Touch and Speed Dial numbers	51

9	Making copies	53
	How to copy.....	53
	Stop copying.....	53
	Copy settings.....	53
10	Printing data from a USB Flash memory drive or digital camera supporting mass storage	54
	Creating a PRN file for direct printing	54
	Printing data directly from the USB Flash memory drive or digital camera supporting mass storage	55
	Changing the default settings for direct print	56
11	How to print from a computer	57
	Printing a document.....	57
12	How to scan to a computer	58
	Scanning a document as a PDF file using ControlCenter4 (Windows®)	58
	Changing the Scan button settings.....	61
	Before scanning.....	61
	Scan button settings	61
	Scanning using the Scan button	63
A	Routine maintenance	64
	Replacing the consumable items.....	64
	Replacing the toner cartridge	66
	Replacing the drum unit.....	72
	Cleaning and Checking the machine.....	77
	Cleaning the outside of the machine	77
	Cleaning the scanner glass	78
	Cleaning the corona wire.....	80
	Cleaning the drum unit	82
	Cleaning the paper pick-up rollers.....	86

B	Troubleshooting	88
	Identifying your problem	88
	Error and maintenance messages	90
	Transferring your faxes or Fax Journal report	97
	Document Jams	98
	Document is jammed in the top of the ADF unit	98
	Document is jammed under the document cover	98
	Removing small documents jammed in the ADF	99
	Document is jammed at the output tray	99
	Paper Jams	100
	Paper is jammed in the MP tray	100
	Paper is jammed in paper tray 1 or tray 2	101
	Paper is jammed at the back of the machine	102
	Paper is jammed inside the machine	105
	Paper is jammed in the duplex tray	109
	If you are having difficulty with your machine	111
	Setting Dial Tone detection	121
	Telephone line interference / VoIP	121
	Improving the print quality	122
	Machine Information	129
	Checking the Serial Number	129
	Reset functions	129
	How to reset the machine	130
C	Menu and features	131
	On-screen programming	131
	Menu table	131
	Menu and mode buttons	131
	Menu table	132
	Entering text	170
D	Specifications	171
	General	171
	Document Size	173
	Print media	174
	Fax	175
	Copy	176
	Scanner	177
	Printer	178
	Interfaces	179
	Direct Print feature	180
	Computer requirements	181
	Consumable items	183
	Network (LAN)	184
E	Index	185

Table of Contents

(Advanced User's Guide)

You can view the Advanced User's Guide on the Installer CD-ROM.

The Advanced User's Guide explains the following features and operations.

1 General Setup

IMPORTANT NOTE

Memory storage

Automatic Daylight Saving Time

Ecology features

Quiet mode feature

LCD screen

2 Security features

Secure Function Lock 2.0

Setting Lock

Restricting dialling

3 Sending a fax

Additional sending options

Additional sending operations

Polling overview

4 Receiving a fax

Remote Fax Options

Additional receiving operations

Polling overview

5 Dialling and storing numbers

Telephone line services

Additional dialling operations

Additional ways to store numbers

6 Printing reports

Fax reports

Reports

7 Making copies

Copy settings

A Routine maintenance

Cleaning and checking the machine

Replacing periodic maintenance parts

Packing and shipping the machine

B Options

Optional paper tray (LT-5400)

Memory board

C Glossary

D Index



Using the documentation

Thank you for buying a Brother machine! Reading the documentation will help you make the most of your machine.

Symbols and conventions used in the documentation

The following symbols and conventions are used throughout the documentation.

WARNING

WARNING indicates a potentially hazardous situation which, if not avoided, could result in death or serious injuries.

Important

Important indicates a potentially hazardous situation which, if not avoided, may result in damage to property or loss of product functionality.



Prohibition icons indicate actions that must not be performed.



Electrical Hazard icons alert you to a possible electrical shock.



Fire Hazard icons alert you to the possibility of fire.



Hot Surface icons warn you not to touch machine parts that are hot.



Notes tell you how you should respond to a situation that may arise or give tips about how the current operation works with other features.

Bold Bold style identifies keys on the machine's control panel or on the computer screen.

Italics Italicized style emphasizes an important point or refers you to a related topic.

`Courier New` Courier New font identifies the messages shown on the LCD of the machine.

Follow all warnings and instructions marked on the product.



Note

Most of the illustrations in this User's Guide show the MFC-8950DW.

Accessing the Advanced User's Guide, Software User's Guide and Network User's Guide

This Basic User's Guide does not contain all the information about the machine such as how to use the advanced features for Fax, Copy, Printer, Scanner, PC-Fax and Network. When you are ready to learn detailed information about these operations, read the **Advanced User's Guide**, **Software User's Guide** and **Network User's Guide** that are on the Installer CD-ROM.

Viewing Documentation

Viewing Documentation (Windows®)

To view the documentation, from the **Start** menu, select **Brother, MFC-XXXX** (where XXXX is your model name) from the programs list, and then choose **User's Guides**.

If you have not installed the software, you can find the documentation on the Installer CD-ROM by following the instructions below:

- 1 Turn on your computer. Insert the Installer CD-ROM into your CD-ROM drive.



Note

If the Brother screen does not appear automatically, go to **My Computer (Computer)**, double-click the CD-ROM icon, and then double-click **start.exe**.

- 2 If the model name screen appears, click your model name.

- 3 If the language screen appears, click your language. The CD-ROM Top Menu will appear.



- 4 Click **Documentation**.
- 5 Click **PDF documents**. If the country screen appears, choose your country. After the list of User's Guides appears, choose the Guide you want to read.

Viewing Documentation (Macintosh)

- 1 Turn on your Macintosh. Insert the Installer CD-ROM into your CD-ROM drive. The following window will appear.



- 2 Double-click the **Documentation** icon.
- 3 If the model name screen appears, choose your model name and click **Next**.
- 4 If the language screen appears, double-click your language folder.

- 5 Double-click **top.pdf**. If the country screen appears, choose your country.
- 6 After the list of User's Guides appears, choose the Guide you want to read.

How to find Scanning instructions

There are several ways you can scan documents. You can find the instructions as follows:

Software User's Guide

- *Scanning*
- *ControlCenter*
- *Network Scanning*

Nuance™ PaperPort™ 12SE How-to-Guides

(Windows® users)

- The complete Nuance™ PaperPort™ 12SE How-to- Guides can be viewed from the Help section in the Nuance™ PaperPort™ 12SE application.

Presto! PageManager User's Guide

(Macintosh users)



Note

Presto! PageManager must be downloaded and installed before use. For further instructions, see *Accessing Brother Support (Macintosh)* >> page 5.

- The complete Presto! PageManager User's Guide can be viewed from the Help section in the Presto! PageManager application.

How to find Network setup instructions

Your machine can be connected to a wireless or wired network.

Basic setup instructions >> Quick Setup Guide

If your wireless access point or router supports Wi-Fi Protected Setup or AOSS™ >> Quick Setup Guide.

For more information about network setup >> Network User's Guide.

How to access the User's Guides for Advanced Features

You can view and download these Guides from the Brother Solutions Center at:

<http://solutions.brother.com/>

Wi-Fi Direct™ Guide

This Guide provides details on how to configure and use your Brother machine for wireless printing directly from a mobile device supporting the Wi-Fi Direct™ standard.

Google Cloud Print Guide

This Guide provides details on how to configure your Brother machine to a Google account and use Google Cloud Print services for printing over the Internet from devices using Gmail™ for mobile, GOOGLE DOCS™ for mobile and applications for the Chrome OS.

Mobile Print/Scan Guide for Brother iPrint&Scan

This Guide provides useful information about printing JPEG and PDF ¹ files from your mobile device and scanning from your Brother machine to your mobile device when connected on a Wi-Fi network.

¹ PDF printing is not supported on Windows® Phone.

Web Connect Guide

This Guide provides details about how to configure and use your Brother machine to scan, load and view images and files on certain Web sites that provide these services.

Accessing Brother Support (Windows®)

You can find all the contacts you will need, such as Web support (Brother Solutions Center) on the Installer CD-ROM.

- Click **Brother Support** on the main menu. The following screen will appear:



- To access our website (<http://www.brother.com/>), click **Brother Home Page**.
- For the latest news and product support information (<http://solutions.brother.com/>), click **Brother Solutions Center**.
- To visit our website for original Brother Supplies (<http://www.brother.com/original/>), click **Supplies Information**.
- To access the Brother CreativeCenter (<http://www.brother.com/creativecenter/>) for FREE photo projects and printable downloads, click **Brother CreativeCenter**.
- To return to the main page, click **Back** or if you have finished, click **Exit**.

Accessing Brother Support (Macintosh)

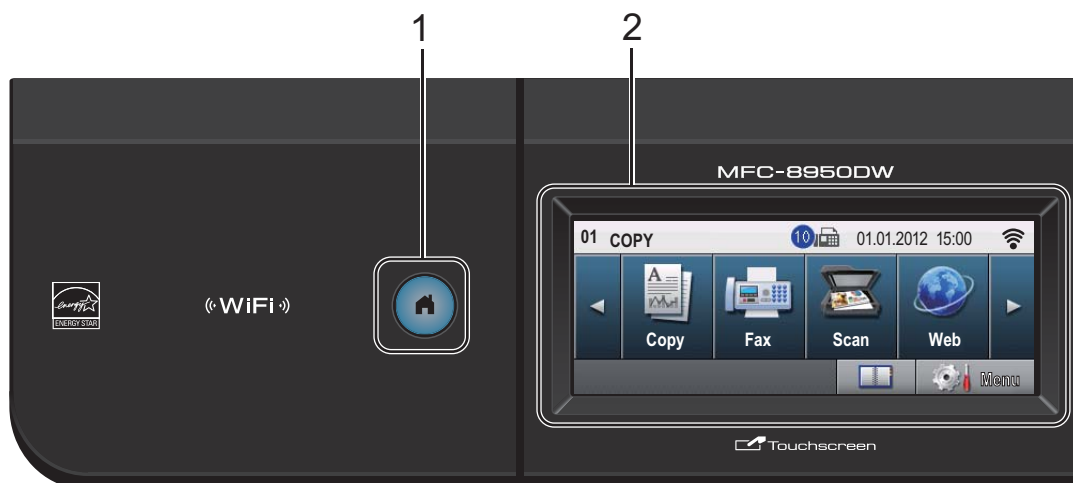
You can find all the contacts you will need, such as Web support (Brother Solutions Center) on the Installer CD-ROM.

- Double-click the **Brother Support** icon. The following screen will appear:



- To download and install Presto! PageManager, click **Presto! PageManager**.
- To register your machine from the Brother Product Registration Page (<http://www.brother.com/registration/>), click **On-Line Registration**.
- For the latest news and product support information (<http://solutions.brother.com/>), click **Brother Solutions Center**.
- To visit our website for original Brother Supplies (<http://www.brother.com/original/>), click **Supplies Information**.

Control panel overview



1 Home Key



Press the illuminated blue Home key to return to the Ready mode.

2 LCD

This is a Touchscreen LCD. You can access the menus and options by pressing buttons displayed on the screen.

3 Fax keys:

Tel/R

This key is used to have a telephone conversation after picking up the external handset during the F/T fast double-ring.

When connected to a PBX, you can use this key to gain access to an outside line, to recall an operator, or to transfer a call to another extension.

Redial/Pause

Redials the last number called. It also inserts a pause when programming quick dial numbers or when dialling a number manually.

Quick Dials

Show One Touch dials on the Touchscreen.

4 Dial pad

Use these keys to dial telephone and fax numbers and as a keyboard for entering information into the machine.

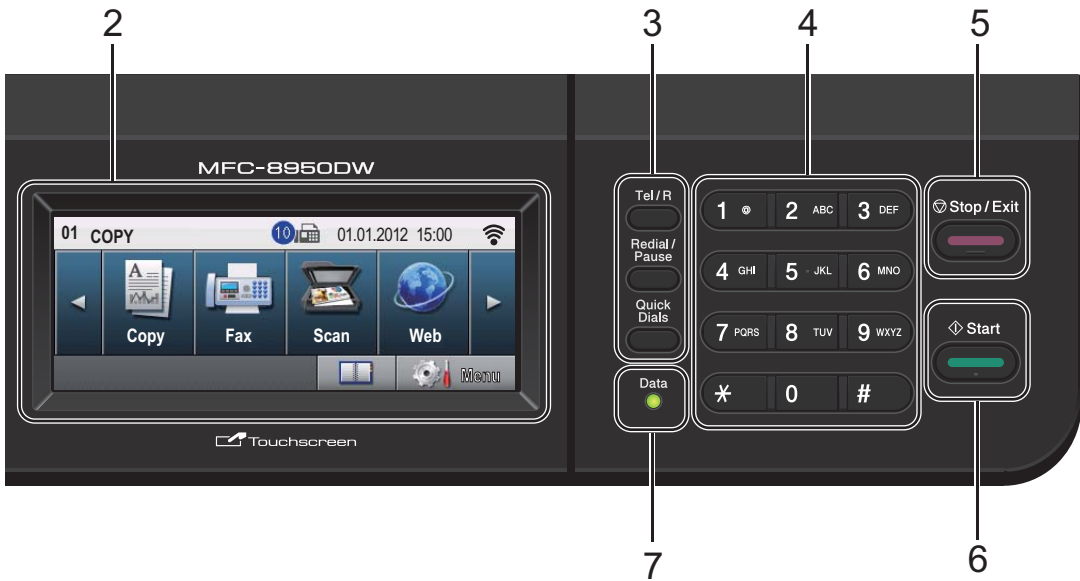
This function transfers to the touchscreen when you store quick dial numbers.

5 Stop/Exit

Stops an operation or exits from a menu.




6 Start

Lets you start sending faxes or making copies.



7 Data

The **Data** LED (light emitting diode) will flash depending on the machine's status.

Machine Status	Description
Ready Mode 	The machine is ready to print, in Sleep mode, there is no print data, or the power switch is off.
Receiving Data  Green (blinking)	The machine is either receiving data from the computer, processing data in memory, or printing data.
Data Remaining in Memory  Green	Print data remains in the machine's memory.

LCD Touchscreen

The LCD Touchscreen shows the current machine status when the machine is idle.



1 Mode Indicator

Lets you see current mode of your machine.

2 Fax in memory

Shows how many received faxes are in the memory.

3 Date and Time

Lets you see the date and time.


4 Web

Lets you connect the Brother machine to an internet service. For details >> Web Connect Guide.

5 Wireless Status

A four level indicator on the Ready mode screen shows the current wireless signal strength if you are using a wireless connection or Wi-Fi Direct™.



If you see the  button at the top right on the Touchscreen, you can easily configure the wireless settings by pressing the button. For more information >> Quick Setup Guide.

6 Menu

Lets you access the main menu.

7 Address Book

Lets you search for the number you want to fax/dial/E-mail or I-Fax.

8 Security indicator

Shows machine's security status. Appears when you turn on Secure Function Lock or Setting Lock.

9 Mode Buttons:

Copy

Puts the machine in Copy mode.

Fax

Puts the machine in Fax mode.

Scan

Puts the machine in Scan mode.

10 Warning icon

Appears when there is an error or maintenance message; press the Warning icon to view it, and then press **Stop/Exit** to return to the Ready screen.

11 Direct Print

Lets you print data from a USB flash memory drive or a digital camera supporting mass storage directly to the machine. (See *Printing data directly from the USB Flash memory drive or digital camera supporting mass storage* >> page 55.)

Active only when you insert a USB flash memory drive or digital camera in the machine's USB direct interface.

12 Secure Print


Lets you access the secure print menu.

Active only when the machine has secure print data.

Basic Operations

To operate the Touchscreen use your finger to press the Menu or mode button directly on the LCD screen.

To display and access all the screen menus or options in a setting, press ▲▼ or ◀▶ to scroll through them.

Press  to return to the previous menu.

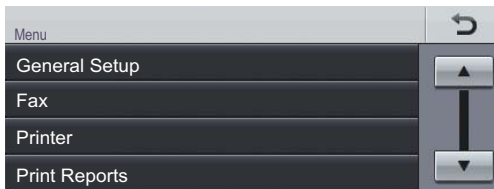
! Important

DO NOT press the Touchscreen with a sharp object, such as a pen or stylus. It may damage the machine.

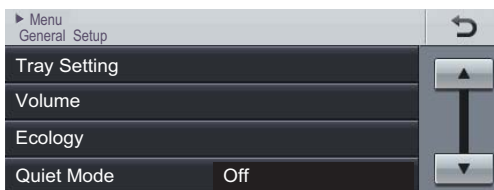
The following steps show how to change a setting in the machine. In this example the LCD back light setting is changed from Light to Dark.

1 Press Menu.

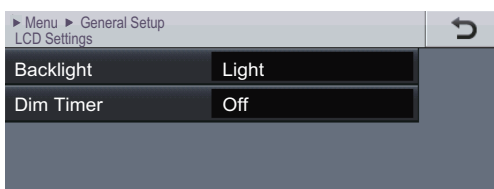
2 Press ▲ or ▼ to display General Setup.
Press General Setup.



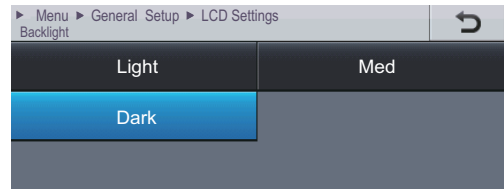
3 Press ▲ or ▼ to display LCD Settings.
Press LCD Settings.



4 Press Backlight.



5 Press Dark.



6 Press Stop/Exit.

Volume settings

Ring volume

You can choose a range of ring volume levels.

- 1 Press **Menu**.
- 2 Press **▲** or **▼** to display **General Setup**.
Press **General Setup**.
- 3 Press **▲** or **▼** to display **Volume**.
Press **Volume**.
- 4 Press **Ring**.
- 5 Press **Low, Med, High** or **Off**.
- 6 Press **Stop/Exit**.

Beeper volume

When the beeper is on, the machine will beep when you press a key, make a mistake, or after you send or receive a fax. You can choose a range of volume levels.

- 1 Press **Menu**.
- 2 Press **▲** or **▼** to display **General Setup**.
Press **General Setup**.
- 3 Press **▲** or **▼** to display **Volume**.
Press **Volume**.
- 4 Press **Beeper**.
- 5 Press **Low, Med, High** or **Off**.
- 6 Press **Stop/Exit**.

Speaker volume

You can choose a range of speaker volume levels.

- 1 Press **Menu**.
- 2 Press **▲** or **▼** to display **General Setup**.
Press **General Setup**.
- 3 Press **▲** or **▼** to display **Volume**.
Press **Volume**.
- 4 Press **Speaker**.
- 5 Press **Low, Med, High** or **Off**.
- 6 Press **Stop/Exit**.

2

Loading paper

Loading paper and print media

The machine can feed paper from the standard paper tray, optional lower tray or multi-purpose tray.



Note

If your application software supports paper size selection on the print menu, you can select it through the software. If your application software does not support it, you can set the paper size in the printer driver or by using the control panel buttons.

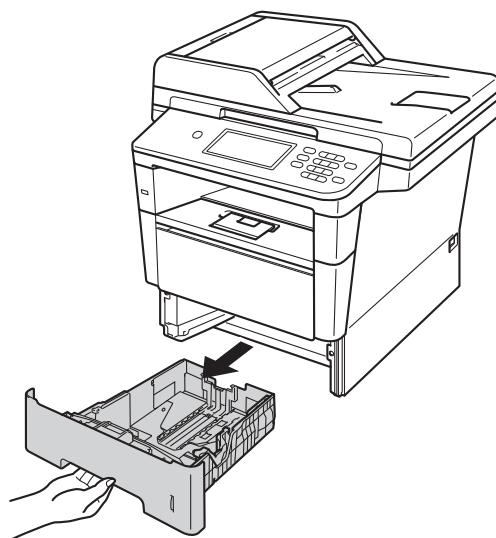
Loading paper in the standard paper tray and the optional lower tray

You can load up to 500 sheets in paper trays 1 and 2¹. Paper can be loaded up to the maximum paper mark (▼▼▼) on the right-hand side of the paper tray. (For recommended paper: *Acceptable paper and other print media* ►► page 20.)

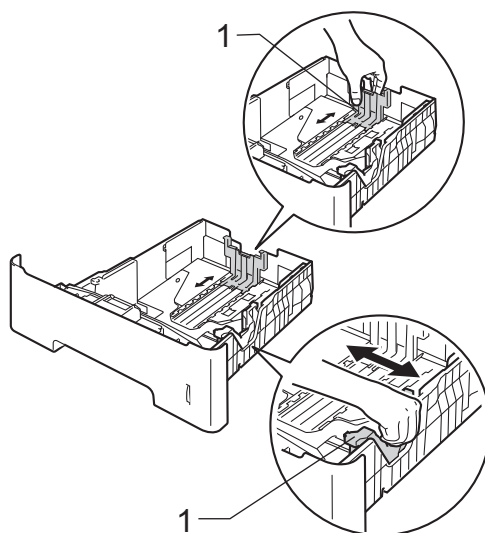
¹ Tray 2 is optional on the MFC-8950DW.

Printing on plain paper, thin paper or recycled paper from Tray 1 and Tray 2

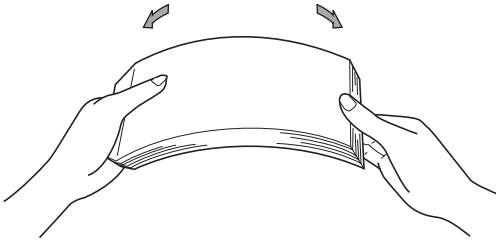
- 1 Pull the paper tray completely out of the machine.



- 2 While pressing the green paper-guide release lever (1), slide the paper guides to fit the paper you are loading in the tray. Make sure that the guides are firmly in the slots.



- 3 Fan the stack of paper well to avoid paper jams and misfeeds.

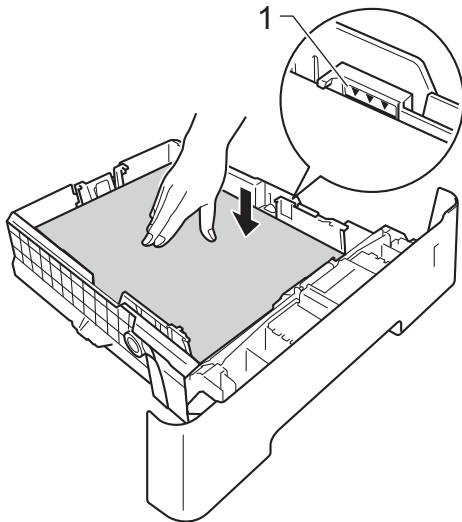


- 4 Put paper in the tray and make sure:

- The paper is below the maximum paper mark (▼▼▼) (1).

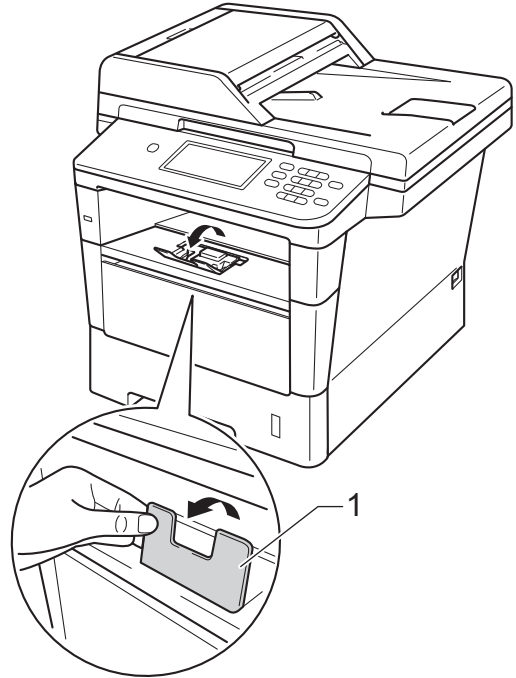
Overfilling the paper tray will cause paper jams.

- The side to be printed on must be *face down*.
- The paper guides touch the sides of the paper so it will feed correctly.



- 5 Put the paper tray firmly back in the machine. Make sure that it is completely inserted into the machine.

- 6 Lift up the support flap (1) to prevent paper from sliding off the face-down output tray, or remove each page as soon as it comes out of the machine.

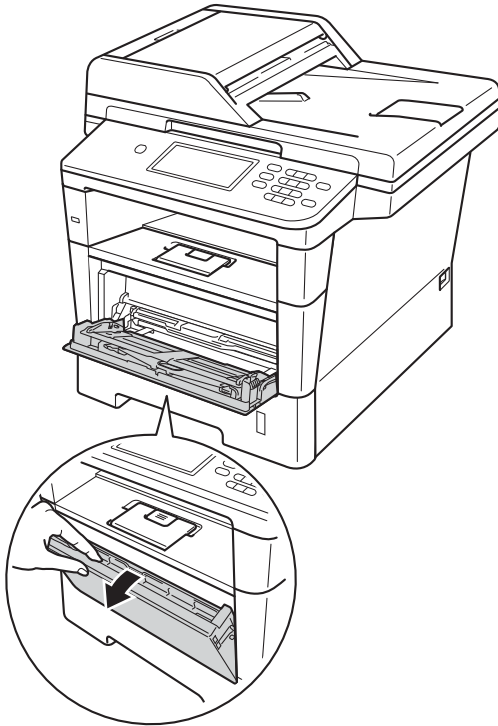


Loading paper in the multi-purpose tray (MP tray)

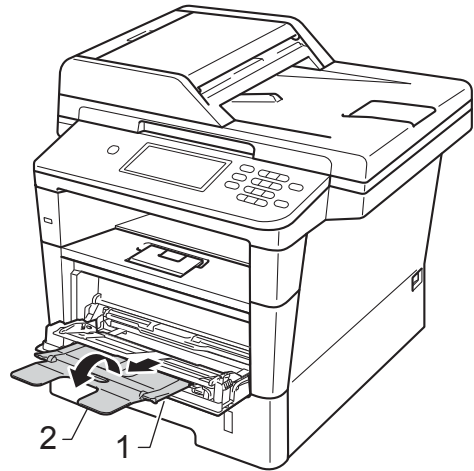
You can load up to 3 envelopes or special print media in the MP tray or up to 50 sheets of plain paper. Use this tray to print or copy on thick paper, bond paper, labels or envelopes. (For recommended paper to use, see *Acceptable paper and other print media* >> page 20.)

Printing on plain paper, thin paper, recycled paper and bond paper from the MP tray

1 Open the MP tray and lower it gently.

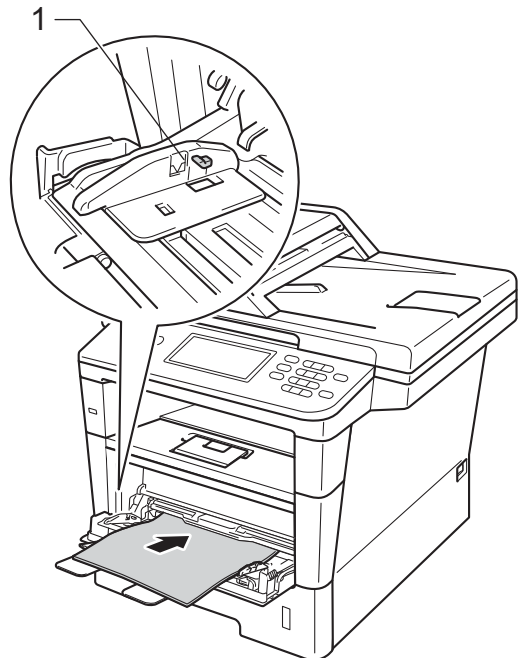


2 Pull out the MP tray support (1) and unfold the flap (2).

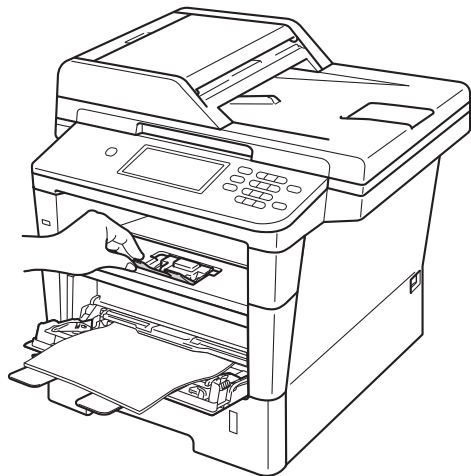


3 Put paper in the MP tray and make sure:

- The paper stays under the maximum paper mark (1).
- The side to be printed on must be *face up* with the leading edge (top of the paper) in first.
- The paper guides must gently touch the sides of the paper so it will feed correctly.

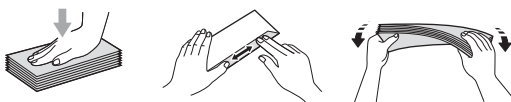


- 4 Lift up the support flap to prevent paper from sliding off the face-down output tray, or remove each page as soon as it comes out of the machine.

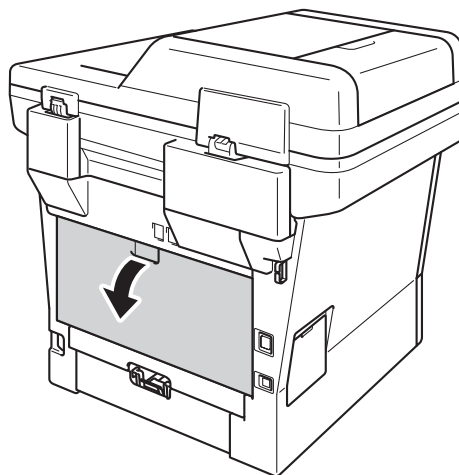


Printing on thick paper, labels and envelopes from the MP tray

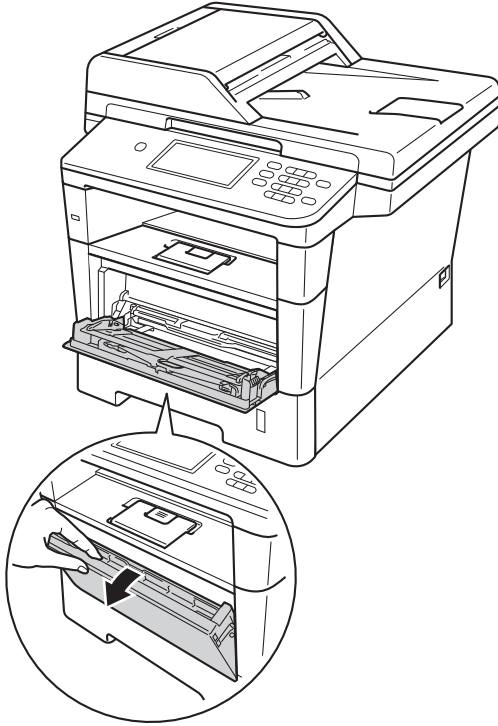
Before loading, press the corners and sides of the envelopes to make them as flat as possible.



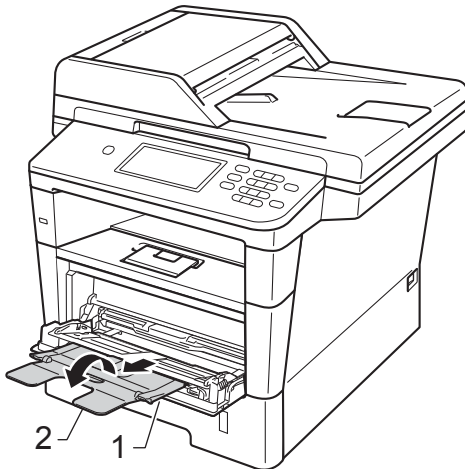
- 1 Open the back cover (face-up output tray).



- 2 Open the MP tray and lower it gently.



- 3 Pull out the MP tray support (1) and unfold the flap (2).



- 4 Put paper, labels or envelopes in the MP tray. Make sure:

- The number of envelopes in the MP tray does not exceed 3.
- The paper, labels or envelopes stay under the maximum paper mark (1).
- The side to be printed on must be face up.



- 5 Send the print data to the machine.



Note

- Remove each printed envelope immediately to prevent a paper jam.
- If your thick paper curls during printing, put only one sheet at a time in the MP tray and open the back cover (face-up output tray) to let the printed pages exit to the face-up output tray.

- 6 Close the back cover (face-up output tray).

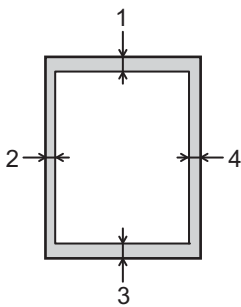
Unscannable and unprintable areas

The figures below show maximum unscannable and unprintable areas. These areas may vary depending on the paper size or settings in the application you are using.



Note

When using BR-Script3 emulation, the unprintable area around the edges of the paper is 4.2 mm.



Usage	Document Size	Top (1) Bottom (3)	Left (2) Right (4)
Fax (Sending)	Letter	3 mm	4 mm
	A4	3 mm	(ADF) 1 mm (Scanner Glass) 3 mm
	Legal	3 mm	4 mm
Copy* * a single copy or a 1 in 1 copy	Letter	4 mm	4 mm
	A4	4 mm	3 mm
	Legal	4 mm	4 mm
Scan	Letter	3 mm	3 mm
	A4	3 mm	3 mm
	Legal	3 mm	3 mm
Print	Letter	4.2 mm	6.35 mm
	A4	4.2 mm	6.01 mm
	Legal	4.2 mm	6.35 mm

Paper settings

Paper Size and Type



Note

You can use four sizes of paper for printing faxes: A4, Letter, Legal or Folio.

When you change the size of paper in the tray, you will also need to change the setting for paper size at the same time so your machine can fit the document or an incoming fax on the page.

You can use the following sizes of paper.

For printing copies:

A4, Letter, Legal, Executive, A5, A5 L, A6, B5, B6 and Folio (8.5 in. × 13 in.)

For printing faxes:

A4, Letter, Legal or Folio (8.5 in. × 13 in.)

After you set the paper size setting, you can set up the machine for the type of paper you are using. This will give you the best print quality.

- 1 Press **Menu**.
- 2 Press **▲** or **▼** to display **General Setup**.
Press **General Setup**.
- 3 Press **▲** or **▼** to display **Tray Setting**.
Press **Tray Setting**.

- 4 Do one of the following:
 - To set the paper type for the MP Tray press **▲** or **▼** to display MP Tray.
Press **MP Tray**
 - To set the paper type for Tray#1 press **▲** or **▼** to display Tray#1.
Press **Tray#1**
 - To set the paper type for Tray#2 press **▲** or **▼** to display Tray#2.
Press **Tray#2**¹ if it is installed.
- 5 Press **◀** or **▶** to display the paper size options.
Press **A4, Letter, Legal, Executive, A5, A5 L**³, **A6**³, **B5, B6, Folio** or **Any**².
- 6 Press **Thin, Plain, Thick, Thicker, Recycled Paper** or **Label**⁴.
- 7 Press **Stop/Exit**.
 - 1 The Tray#2 button will be selectable if Tray 2 is installed.
 - 2 The Any option appears only when you choose the MP tray.
 - 3 A5 L and A6 size are not available for Tray#2.
 - 4 You can choose Label for the MP Tray.



Note

If you choose **Any** for the MP Tray Paper Size: You must choose **MP Only** for the Tray Use setting. You cannot use the **Any Paper Size** selection for the MP tray when making N in 1 copies. You must choose one of the other available Paper Size selections for the MP tray.

Tray Use in Copy mode

You can change the priority tray that the machine will use for printing copies.

When you choose `Tray#1 Only`, `MP Only` or `Tray#2 Only`¹, the machine pulls the paper only from that tray. If the selected tray is out of paper, `No Paper` will appear on the LCD. Insert paper in the empty tray.

To change the tray setting follow the instructions below:

- 1 Press `Menu`.
- 2 Press `▲` or `▼` to display `General Setup`.
Press `General Setup`.
- 3 Press `▲` or `▼` to display `Tray Setting`.
Press `Tray Setting`.
- 4 Press `▲` or `▼` to display `Tray Use:Copy`.
Press `Tray Use:Copy`.
- 5 Press `Tray#1 Only`, `Tray#2 Only`¹, `MP Only`, `MP>T1>T2`¹ or `T1>T2`¹>`MP`.
- 6 Press `Stop/Exit`.

¹ The `Tray#2 Only` and `T2` appear only if Tray 2 is installed.



Note

- When loading the documents in the ADF and `MP>T1>T2` or `T1>T2>MP` is selected, the machine looks for the tray with the most suitable paper and pulls paper from that tray. If no tray has suitable paper, the machine pulls paper from the higher priority tray.
- When using the scanner glass, your document is copied from the higher priority tray even if more suitable paper is in another paper tray.

Tray Use in Fax mode



Note

- You can use four sizes of paper for printing faxes: A4, Letter, Legal or Folio. When a suitable size is not in any of the trays, received faxes will be stored in the machine's memory and `Size mismatch` will appear on the LCD. (For details, see *Error and maintenance messages* >> page 90.)
- If the tray is out of paper and received faxes are in the machine's memory, `No Paper` will appear on the LCD. Insert paper in the empty tray.

You can change the default tray that the machine will use for printing received faxes.

When you choose `Tray#1 Only`, `MP Only` or `Tray#2 Only`¹, the machine pulls the paper only from that tray. If the selected tray is out of paper, `No Paper` will appear on the LCD. Insert the paper in the empty tray.

When you choose `T1>T2`¹>`MP`, the machine pulls paper from Tray #1 until it is empty, then from Tray #2, and then from the MP tray.

When you choose `MP>T1>T2`¹, the machine pulls paper from the MP tray until it is empty, then from Tray #1, and then from Tray #2.

- 1 Press `Menu`.
- 2 Press `▲` or `▼` to display `General Setup`.
Press `General Setup`.
- 3 Press `▲` or `▼` to display `Tray Setting`.
Press `Tray Setting`.
- 4 Press `▲` or `▼` to display `Tray Use:Fax`.
Press `Tray Use:Fax`.
- 5 Press `Tray#1 Only`, `Tray#2 Only`¹, `MP Only`, `MP>T1>T2`¹ or `T1>T2`¹>`MP`.

6 Press **Stop/Exit**.

¹ The `Tray#2 Only` and `T2` appear only if Tray 2 is installed.

Tray Use in print mode

You can change the default tray the machine will use for printing from your computer and Direct Print.

- 1 Press `Menu`.
- 2 Press `▲` or `▼` to display `General Setup`.
Press `General Setup`.
- 3 Press `▲` or `▼` to display `Tray Setting`.
Press `Tray Setting`.
- 4 Press `▲` or `▼` to display `Tray Use:Print`.
Press `Tray Use:Print`.
- 5 Press `Tray#1 Only`, `Tray#2 Only`¹, `MP Only`, `MP>T1>T2`¹ or `T1>T2`¹`>MP`.
- 6 Press **Stop/Exit**.

¹ The `Tray#2 Only` and `T2` appear only if Tray 2 is installed.

Acceptable paper and other print media

Print quality may vary according to the type of paper you are using.

You can use the following types of print media: plain paper, thin paper, thick paper, thicker paper, bond paper, recycled paper, labels or envelopes.

For best results, follow the instructions below:

- DO NOT put different types of paper in the paper tray at the same time because it may cause paper jams or misfeeds.
- For correct printing, you must choose the same paper size from your software application as the paper in the tray.
- Avoid touching the printed surface of the paper immediately after printing.
- Before you buy a lot of paper, test a small quantity to make sure the paper is suitable.
- Use labels that are designed for use in laser machines.

Recommended paper and print media

Paper Type	Item
Plain paper	Xerox Premier TCF 80 g/m ²
	Xerox Business 80 g/m ²
Recycled Paper	Xerox Recycled Supreme 80 g/m ²
Labels	Avery laser label L7163
Envelopes	Antalis River series (DL)

Type and size of paper

The machine feeds paper from the installed standard paper tray, multi-purpose tray or optional lower tray.

The names for the paper trays in the printer driver and this Guide are as follows:

Tray and optional unit	Name
Standard Paper Tray	Tray 1
Multi-purpose Tray	MP Tray
Optional Lower Tray	Tray 2 ¹

¹ Tray 2 is optional on the MFC-8950DW.

Paper capacity of the paper trays

	Paper size	Paper types	No. of sheets
Standard Paper Tray (Tray 1)	A4, Letter, Legal, B5, Executive, A5, A5 (Long Edge), A6, B6, Folio ¹	Plain paper, Thin paper, Recycled paper	up to 500 (80 g/m ²)
Multi-purpose Tray (MP Tray)	Width: 76.2 to 215.9 mm Length: 127.0 to 355.6 mm	Plain paper, Thin paper, Thick paper, Thicker paper, Bond paper, Recycled paper, Envelopes, Labels	50 sheets (80 g/m ²) 3 Envelopes
Optional Lower Tray (Tray 2) ²	A4, Letter, Legal, B5, Executive, A5, B6, Folio ¹	Plain paper, Thin paper, Recycled paper	up to 500 (80 g/m ²)

¹ Folio size is 8.5 in. × 13 in. (215.9 mm × 330.2 mm)

² Tray 2 is optional on the MFC-8950DW.

Recommended paper specifications

The following paper specifications are suitable for this machine.

Basis weight	75-90 g/m ²
Thickness	80-110 μm
Roughness	Higher than 20 sec.
Stiffness	90-150 cm ³ /100
Grain direction	Long grain
Volume resistivity	10e ⁹ -10e ¹¹ ohm
Surface resistivity	10e ⁹ -10e ¹² ohm-cm
Filler	CaCO ₃ (Neutral)
Ash content	Below 23 wt%
Brightness	Higher than 80%
Opacity	Higher than 85%

- Use paper made for plain paper copying.
- Use paper that is 75 to 90 g/m².
- Use long grain paper with a neutral Ph value, and a moisture content of approx. 5%.
- This machine can use recycled paper that meets DIN 19309 specifications.

Handling and using special paper

The machine is designed to work well with most types of xerographic and bond paper. However, some paper variables may have an effect on print quality or handling reliability. Always test samples of paper before purchasing to ensure desirable performance. Store paper in its original packaging and keep it sealed. Keep the paper flat and away from moisture, direct sunlight and heat.

Some important guidelines when selecting paper are:

- DO NOT use inkjet paper because it may cause a paper jam or damage your machine.
- Preprinted paper must use ink that can withstand the temperature of the machine's fusing process 200 °C.
- If you use bond paper, paper having a rough surface, or paper that is wrinkled or creased, the paper may exhibit degraded performance.

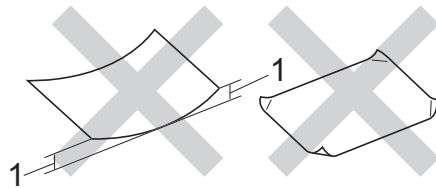
Types of paper to avoid

! Important

Some types of paper may not perform well or may cause damage to your machine.

DO NOT use paper:

- that is highly textured
- that is extremely smooth or shiny
- that is curled or warped



1 A curl of 2 mm or greater may cause jams to occur.

- that is coated or has a chemical finish
- that is damaged, creased or folded
- that exceeds the recommended weight specification in this guide
- with tabs and staples
- with letterheads using low temperature dyes or thermography
- that is multipart or carbonless
- that is designed for inkjet printing

The types of paper listed above may damage your machine. This damage is not covered under any Brother warranty or service agreement.

Envelopes

Most envelopes designed for laser printers will be suitable for your machine. However, some envelopes may have feed and print-quality problems because of the way they have been made. A suitable envelope should have edges with straight, well-creased folds. The envelope should lie flat and not be of baggy or flimsy construction. You should buy quality envelopes from a supplier who understands that you will be using the envelopes in a laser machine.

Envelopes can only be fed through the MP tray.

We recommend that you print a test envelope to make sure the print results are what you want.

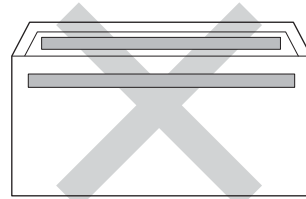
Types of envelopes to avoid

! Important

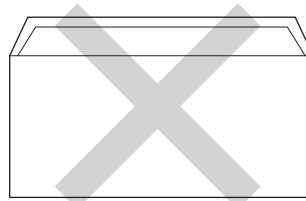
DO NOT use envelopes:

- that are damaged, curled, wrinkled or an unusual shape
- that are extremely shiny or textured
- with clasps, staples, snaps or tie strings
- with self-adhesive closures
- that are of a baggy construction
- that are not sharply creased
- that are embossed (have raised writing on them)
- that were previously printed by a laser machine
- that are pre-printed on the inside
- that cannot be arranged neatly when stacked
- that are made of paper that weighs more than the paper weight specifications for the machine
- with edges that are not straight or consistently square

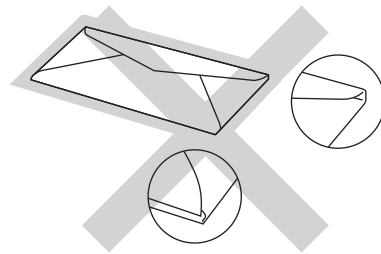
- with windows, holes, cut-outs or perforations
- with glue on the surface as shown in the figure below



- with double flaps as shown in the figure below



- with sealing flaps that are not folded down when purchased
- with each side folded as shown in the figure below



If you use any of the types of envelopes listed above, they may damage your machine. This damage may not be covered under any Brother warranty or service agreement.

Occasionally you may experience paper feed problems caused by the thickness, size and flap shape of the envelopes you are using.

Labels

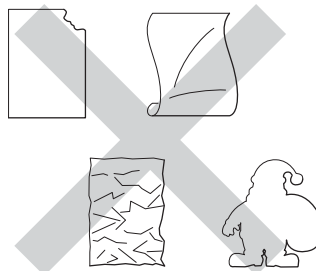
The machine will print on most types of labels designed for use with a laser machine. Labels should have an adhesive that is acrylic-based since this material is more stable at the high temperatures in the fuser unit. Adhesives should not come in contact with any part of the machine, because the label stock may stick to the drum unit or rollers and cause jams and print quality problems. No adhesive should be exposed between the labels. Labels should be arranged so that they cover the entire length and width of the sheet. Using labels with spaces may result in labels peeling off and causing serious jams or print problems.

All labels used in this machine must be able to withstand a temperature of 200 °C for a period of 0.1 seconds.

Labels can only be fed through the MP tray.

Types of labels to avoid

Do not use labels that are damaged, curled, wrinkled or an unusual shape.



! Important

- DO NOT feed part used label sheets. The exposed carrier sheet will damage your machine.
 - Label sheets should not exceed the paper weight specifications described in this User's Guide. Labels exceeding this specification may not feed or print correctly and may cause damage to your machine.
 - DO NOT reuse or insert labels that have previously been used or are missing a few labels on the sheet.
-

How to load documents

You can send a fax, make copies, and scan from the ADF (Automatic Document Feeder) and the scanner glass.

Using the automatic document feeder (ADF)

The ADF can hold up to 50 pages and feeds each sheet individually. We recommend you use standard 80 g/m² paper and always fan the pages before putting them in the ADF.

Document Sizes Supported

Length:	147.3 to 355.6 mm
Width:	147.3 to 215.9 mm
Weight:	64 to 90 g/m ²

How to load documents

! Important

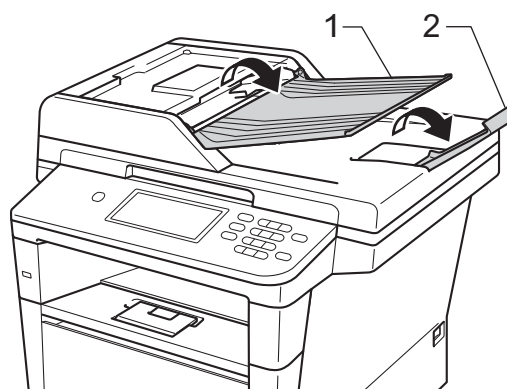
- DO NOT leave thick documents on the scanner glass. If you do this, the ADF may jam.
- DO NOT use paper that is curled, wrinkled, folded, ripped, stapled, paper-clipped, pasted or taped.
- DO NOT use cardboard, newspaper or fabric.
- To avoid damaging your machine while using the ADF, DO NOT pull on the document while it is feeding.



Note

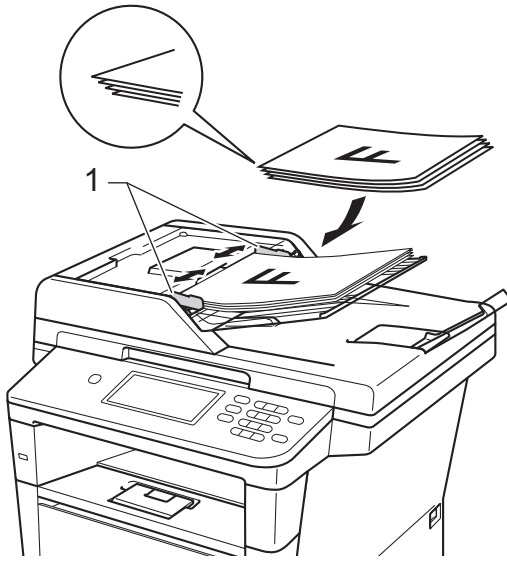
- To scan documents that are not suitable for the ADF, see *Using the scanner glass* >> page 26.
- It is easier to use the ADF if you are loading a multiple page document.
- Make sure documents with correction fluid or written with ink are completely dry.

- 1 Unfold the ADF document support (1). Lift up and unfold the ADF document output support flap (2).



- 2 Fan the pages well.
- 3 Stagger the pages of your document *face up top edge first*, in the ADF until the LCD display message changes and you feel the top page touch the feed rollers.

- Adjust the paper guides (1) to fit the width of your document.



Note

To scan non-standard documents, see *Using the scanner glass* >> page 26.

Using the scanner glass

You can use the scanner glass to fax, copy or scan pages of a book, one page at a time.

Document Sizes Supported

Length:	Up to 355.6 mm
Width:	Up to 215.9 mm
Weight:	Up to 2.0 kg

How to load documents

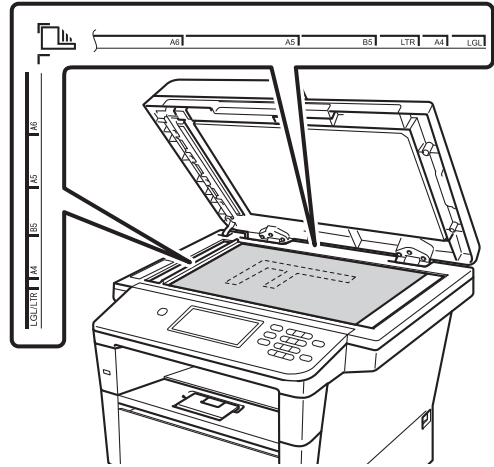


Note

To use the scanner glass, the ADF must be empty.

- Lift the document cover.

- Using the document guidelines on the left and top, place the document *face down* in the upper left corner of the scanner glass.



- Close the document cover.

Important

If the document is a book or is thick do not slam the cover or press on it.

4

Sending a fax

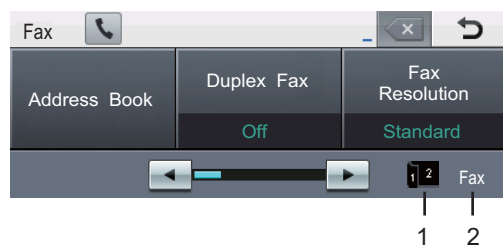
How to send a fax

The following steps show you how to send a fax. To send multiple pages use the ADF.

- 1 When you want to send a fax, or change fax send or receive settings, press the **Fax** button on the Touchscreen.



- The LCD shows:



- 1 **Fax duplex (2-sided) receiving indicator**

Appears when duplex printing is set to on for received faxes.

- 2 **Current Receive Mode**

Lets you see the current receive mode.

- Fax (Fax only)
- F/T (Fax/Tel)
- TAD (External TAD)
- Mnl (Manual)



Note

The default setting is Copy mode.

- 2 Do one of the following to load your document:

- Place the document *face up* in the ADF. (See *Using the automatic document feeder (ADF)* >> page 25.)
- Load your document *face down* on the scanner glass. (See *Using the scanner glass* >> page 26.)

- 3 Set the scanner glass size, fax resolution or contrast if you want to change them.



Note

For the following advanced fax sending operations and settings >> *Advanced User's Guide: Sending a fax*

- Duplex Fax (2-sided fax layout)
- Contrast
- Fax Resolution
- Broadcasting
- Real Time TX
- Overseas Mode
- Delayed Fax
- Batch TX
- Set New Default
- Factory Reset
- Coveragepage Note
- Coveragepage Setup
- Polled TX

When using the ADF, you can not change the scanner glass size setting.

- 4 Choose one of the options below:
- If you want to send a single-sided document, go to step 5.
 - If you want to send a 2-sided document, choose the duplex scanning format for your 2-sided document.
Press **Duplex Fax** and choose
DuplexScan : LongEdge or
DuplexScan : ShortEdge.



Note

You can send 2-sided documents from the ADF.

- 5 Enter the fax number using the dial pad. You can also enter the fax number by the following ways.
- Press **Address Book**, the number you want to dial, and **Send a fax** on the Touchscreen.
 - Press **Quick Dials** on the control panel and a **One Touch** button on the Touchscreen.

(For details, see *How to dial*
➤➤ page 44.)

- 6 Press **Start**.

Faxing from the ADF

- The machine starts scanning the document.

Faxing from the scanner glass

If **Real Time TX** is On, the machine will send the document without asking if there are additional pages to scan.

- If you press **Start**, the machine starts scanning the first page.

Do one of the following:

- To send a single page, press **No** (or press **Start** again). The machine starts sending the document.
- To send more than one page, press **Yes** and place the next page on the scanner glass. Press **Start**. The machine starts scanning the page. (Repeat this step for each additional page.)



Note

To cancel a fax in process, press **Stop/Exit**.

Faxing Letter, Legal or Folio size documents from the scanner glass

When faxing Letter, Legal or Folio size documents, you will need to set the scan glass size to `Letter` or `Legal/Folio`; otherwise, a portion of your faxes will be missing.

- 1 Press `Fax`.
- 2 Press `◀` or `▶` to display `Glass ScanSize`.
Press `Glass ScanSize`.
- 3 Press `Letter` or `Legal/Folio`.



Note

You can save the setting you use most often by setting it as the default.
(▶▶ *Advanced User's Guide: Setting your changes as the new default*)

Cancelling a fax in process

Press **Stop/Exit** to cancel the fax. If you press **Stop/Exit** while the machine is dialling or sending, the LCD will show `Cancel Job?`.

Press `Yes` to cancel the fax.

Transmission Verification Report

You can use the Transmission Verification Report as proof that you sent a fax. This report lists the receiving party's name or fax number, the time and date of transmission, duration of transmission, number of pages sent, and whether or not the transmission was successful.

There are several settings available for the Transmission Verification Report:

- `On`: Prints a report after every fax you send.
- `On+Image`: Prints a report after every fax you send. A portion of the fax's first page appears on the report.
- `Off`: Prints a report if your fax is unsuccessful due to a transmission error. `Off` is the default setting.
- `Off+Image`: Prints a report if your fax is unsuccessful due to a transmission error. A portion of the fax's first page appears on the report.

- 1 Press `Menu`.
- 2 Press `▲` or `▼` to display `Fax`.
Press `Fax`.
- 3 Press `▲` or `▼` to display `Report Setting`.
Press `Report Setting`.
- 4 Press `XMIT Report`.
- 5 Press `On`, `On+Image`, `Off` or `Off+Image`.
- 6 Press **Stop/Exit**.



Note

- If you choose `On+Image` or `Off+Image`, the image will only appear on the Transmission Verification Report if Real Time Transmission is set to `Off`.
(►► Advanced User's Guide: *Real Time Transmission*)
 - If the transmission is successful, `OK` will appear next to `RESULT` on the Transmission Verification Report. If the transmission is not successful, `ERROR` will appear next to `RESULT`.
-

Receive modes



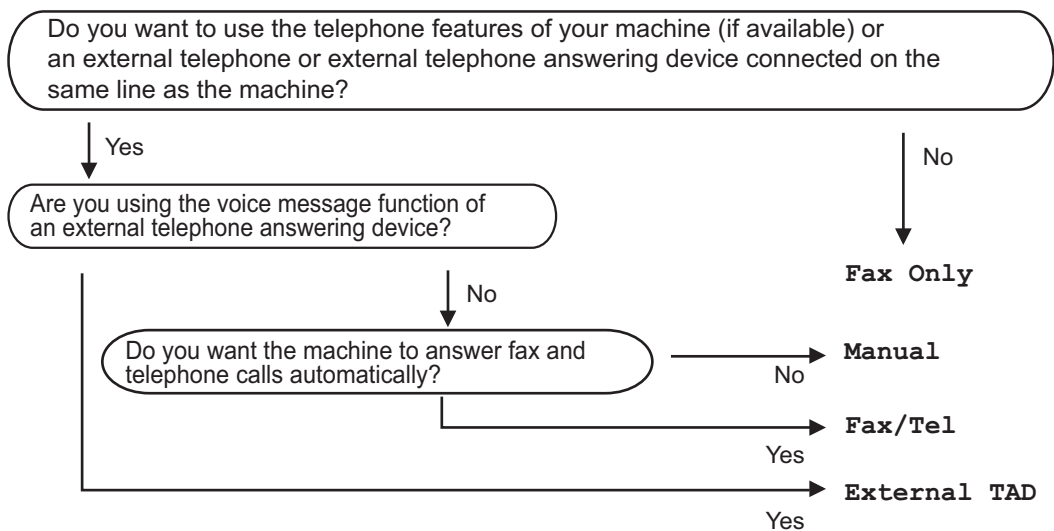
Note

You can use four sizes of paper for printing faxes: A4, Letter, Legal or Folio.

You must choose a receive mode depending on the external devices and telephone services you have on your line.

Choosing the receive mode

By default, your machine will automatically receive any faxes that are sent to it. The diagrams below will help you choose the correct mode. (For more detailed information about the receive modes, see *Using receive modes* >> page 33.)



To set the receive mode follow the instructions below.

- 1 Press **Menu**.
- 2 Press **▲** or **▼** to display **Initial Setup**.
Press **Initial Setup**.
- 3 Press **▲** or **▼** to display **Receive Mode**.
Press **Receive Mode**.



Note

If you cannot change the **Receive Mode**, make sure the **BT Call Sign** feature is set to **Off**.
(>> *Advanced User's Guide: BT Call Sign (U.K. only)*)

4 Press **Fax Only**, **Fax/Tel**, **External TAD** or **Manual**.

5 Press **Stop/Exit**.

The LCD will display the current receive mode in Fax mode.

Using receive modes

Some receive modes answer automatically (**Fax Only** and **Fax/Tel**). You may want to change the **Ring Delay** before using these modes. (See *Ring Delay* >> page 34.)

Fax Only

Fax Only mode will automatically answer every call as a fax.

Fax/Tel

Fax/Tel mode helps you automatically manage incoming calls, by recognising whether they are fax or voice calls and dealing with them in one of the following ways:

- Faxes will be automatically received.
- Voice calls will start the **F/T** ring to tell you to pick up the line. The **F/T** ring is a fast double-ring made by your machine.

(Also see *F/T Ring Time (Fax/Tel mode only)* >> page 34 and *Ring Delay* >> page 34.)

Manual

Manual mode turns off all automatic answering functions unless you are using the **BT Call Sign**¹ feature.

¹ **BT Call Sign** is for U.K. only.

To receive a fax in **Manual** mode lift the handset of the external telephone. When you hear fax tones (short repeating beeps), press **Start**, and then press **Receive** to receive a fax. You can also use the **Fax Detect** feature to receive faxes by lifting a handset on the same line as the machine.

(Also see *Fax Detect* >> page 35.)

External TAD

External TAD mode lets an external answering device manage your incoming calls. Incoming calls will be dealt with in the following ways:

- Faxes will be automatically received.
- Voice callers can record a message on the external TAD.

(For more information see *Connecting an external TAD* >> page 39.)

Receive Mode settings

Ring Delay

The Ring Delay setting sets the number of times the machine rings before it answers in *Fax Only* and *Fax/Tel* modes.

If you have external or extension telephones on the same line as the machine, choose the maximum number of rings. (See *Fax Detect* >> page 35 and *Operation from external or extension telephones* >> page 41.)

- 1 Press **Menu**.
- 2 Press **▲** or **▼** to display *Fax*. Press *Fax*.
- 3 Press **▲** or **▼** to display *Setup Receive*. Press *Setup Receive*.
- 4 Press **▲** or **▼** to display *Ring Delay*. Press *Ring Delay*.
- 5 Press the button on the LCD to choose how many times the line rings before the machine answers.
- 6 Press **Stop/Exit**.

F/T Ring Time (Fax/Tel mode only)

When somebody calls your machine, you and your caller will hear the normal telephone ring sound. The number of rings is set by the Ring Delay setting.

If the call is a fax, then your machine will receive it; however, if it is a voice call the machine will sound the F/T ring (a fast double-ring) for the time you have set in the F/T Ring Time setting. If you hear the F/T ring it means that you have a voice caller on the line.

Because the F/T ring is made by the machine, extension and external telephones will *not* ring; however, you can still answer the call on any telephone. (For more information see *Using Remote Codes* >> page 42.)

- 1 Press **Menu**.
- 2 Press **▲** or **▼** to display *Fax*. Press *Fax*.
- 3 Press **▲** or **▼** to display *Setup Receive*. Press *Setup Receive*.
- 4 Press **▲** or **▼** to display *F/T Ring Time*. Press *F/T Ring Time*.
- 5 Press how long the machine will ring to alert you that you have a voice call (20, 30, 40 or 70 seconds).
- 6 Press **Stop/Exit**.

Fax Detect

If Fax Detect is On:

The machine can receive a fax automatically, even if you answer the call. When you see `Receiving` on the LCD or hear a click on the phone line through the handset you are using, just replace the handset. Your machine will do the rest.

If Fax Detect is Off:

If you are at the machine and answer a fax call first by lifting the external handset, then press **Start**, and then press `Receive` to receive the Fax.

If you answered at an extension telephone press ***51**. (See *Operation from external or extension telephones* >> page 41.)



Note

- If this feature is set to `On`, but your machine does not connect a fax call when you lift an extension telephone handset, press the fax receive code ***51**.
- If you send faxes from a computer on the same telephone line and the machine intercepts them, set Fax Detect to `Off`.

- 1 Press `Menu`.
- 2 Press `▲` or `▼` to display `Fax`.
Press `Fax`.
- 3 Press `▲` or `▼` to display
`Setup Receive`.
Press `Setup Receive`.
- 4 Press `▲` or `▼` to display `Fax Detect`.
Press `Fax Detect`.
- 5 Press `On` (or `Off`).
- 6 Press **Stop/Exit**.

How to use PC-FAX

PC-Fax Receive (For Windows® only)

If you turn on the PC-Fax Receive feature your machine will store received faxes in memory and send them to your PC automatically. You can then use your PC to view and store these faxes.

Even if you have turned off your PC (at night or on the weekend, for example), your machine will receive and store your faxes in its memory. The number of received faxes that are stored in the memory will appear on the LCD.

When you start your PC and the PC-Fax Receiving software runs, your machine transfers your faxes to your PC automatically.

To transfer the received faxes to your PC you must have the PC-FAX Receiving software running on your PC. From the Windows® **Start** menu, select **All Programs, Brother, MFC-XXXX, PC-FAX Receiving**, and select **Receive**. (XXXX is your model name.)

Then, follow the steps below on your machine.

- 1 Press Menu.
- 2 Press ▲ or ▼ to display Fax.
Press Fax.
- 3 Press ▲ or ▼ to display Setup Receive.
Press Setup Receive.
- 4 Press ▲ or ▼ to display Forward/Store.
Press Forward/Store.
- 5 Press PC Fax Receive.

- 6 The LCD shows a reminder to start the PC-FAX Receiving program on your computer. If you have started the PC-FAX Receiving program, press OK. If you have not started the PC-FAX Receiving program, see ►► Software User's Guide: *PC-FAX receiving*.

- 7 Press ▲ or ▼ to display <USB> or your computer name if the machine is connected to a network.
Press <USB> or your computer name.
Press OK.

- 8 Press Backup Print:On or Backup Print:Off.

! Important

If you choose Backup Print On, the machine will also print the fax at your machine so you will have a copy. This is a safety feature in case there is a power failure before the fax is transferred to your PC.

- 9 Press Stop/Exit.



Note

- Before you can set up PC-Fax Receive you must install the MFL-Pro Suite software on your PC. Make sure your PC is connected and turned on. (►► Software User's Guide: *PC-FAX receiving*)
- If your machine has an error and is unable to print faxes from memory, you can use this setting to transfer your faxes to a PC. (See *Transferring your faxes or Fax Journal report* ►► page 97.)
- PC-Fax Receive is not supported in Mac OS.


PC-FAX Send

The Brother PC-FAX feature lets you use your PC to send a document from an application as a standard fax. You can send a file created in any application on your PC as a PC-FAX. You can even attach a cover page.

For details >> Software User's Guide:
PC-FAX sending

How to send a PC-FAX:

Contact your application vendor if you need more support.

- 1 From your application select **File**, and then **Print**.
The Print dialog box will be displayed.
(The steps may vary depending on your application.)
- 2 Select the **Brother PC-FAX v.3**.
- 3 Click **OK**.
The **Brother PC-FAX** user interface will be displayed.
- 4 Enter the recipient's fax number using your computer keyboard or by clicking the numeric keypad of the **Brother PC-FAX** user interface. You can also select a stored number from the **Address Book**.
- 5 Click  when using your computer keyboard or the numeric keypad.
- 6 Click **Start**.
Your document will be sent to the Brother machine and then faxed to the recipient.

Telephone line services

Setting the telephone line type

If you are connecting the machine to a line that features a PBX or ISDN to send and receive faxes, it is necessary to change the Telephone Line Type accordingly by completing the following steps. If you are using a line that features a PBX, you can set your machine so that it always accesses the outside line (using the prefix you entered), or accesses the outside line when **Tel/R** is pressed.

- 1 Press **Menu**.
- 2 Press **▲** or **▼** to display **Initial Setup**.
Press **Initial Setup**.
- 3 Press **▲** or **▼** to display **Phone Line Set**.
Press **Phone Line Set**.
- 4 Press **PBX, ISDN (or Normal)**.
- 5 Do one of the following:
 - If you chose **ISDN or Normal**, go to step 9.
 - If you chose **PBX**, go to step 6.
- 6 Press **On** or **Always**.



Note

- If you choose **On**, pressing **Tel/R** will let you access an outside line.
- If you choose **Always**, you can access an outside line without pressing **Tel/R**.

- 7 Do one of the following:
 - If you want to change the current prefix number, press **Dial Prefix** and go to step 8.
 - If you do not want to change the current prefix number, go to step 9.
- 8 Enter the prefix number (up to 5 digits) on the dial pad.
Press **OK**.



Note

You can use the numbers and symbols 0 to 9, #, * and !. (You cannot use ! with any other numbers and symbols.)

- 9 Press **Stop/Exit**.

PBX and TRANSFER

The machine is initially set to **Normal**, which lets the machine connect to a standard PSTN (Public Switched Telephone Network) line. However, many offices use a central telephone system or Private Branch Exchange (PBX). Your machine can be connected to most types of PBX. The machine's recall feature supports timed break recall only (TBR). TBR will work with most PBX systems allowing you to gain access to an outside line, or transfer calls to another extension. The feature works when **Tel/R** is pressed.

Connecting an external TAD

You can connect an external Telephone Answering Device (TAD) to the same line as your machine. When the TAD answers a call, your machine will “listen” for the CNG (fax calling) tones sent by a sending fax machine. If it hears them it will take over the call and receive the fax. If it does not hear them, it will let your TAD take a voice message and the display will show *Telephone*.

The external TAD must answer within four rings (we recommend you set it to two rings). This is because your machine cannot hear the CNG tones until the external TAD has picked up the call. The sending machine will send CNG tones for only eight to ten seconds longer. We do not recommend using the toll saver feature on your external TAD if it needs more than four rings to activate it.

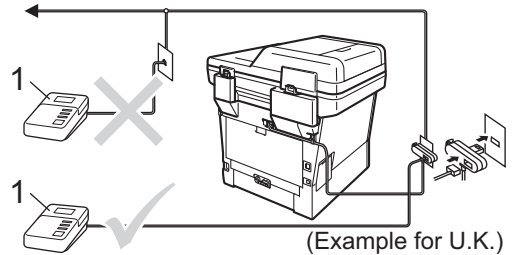


Note

If you have problems receiving faxes, reduce the ring delay setting on your external TAD.

Connections

The external TAD must be connected as shown in the illustration below.



1 TAD

- 1 Set your external TAD to one or two rings. (The machine's Ring Delay setting does not apply.)
- 2 Record the outgoing message on your external TAD.
- 3 Set the TAD to answer calls.
- 4 Set the Receive Mode on your machine to *External TAD*. (See *Choosing the receive mode* >> page 31.)

Recording an outgoing message (OGM)

- 1 Record 5 seconds of silence at the beginning of your message. This allows your machine time to listen for fax tones.
- 2 Limit your speaking to 20 seconds.
- 3 End your 20-second message by giving your Remote Activation code for people sending manual faxes. For example: "After the beep, leave a message or press *51 and **Start** to send a fax."



Note

- You need to turn the Remote Codes setting to **On** to use the Fax Activation Code *51. (See *Using Remote Codes* >> page 42.)
- We recommend beginning your OGM with an initial 5 second silence because the machine cannot hear fax tones over a loud voice. You may try leaving out this pause, but if your machine has trouble receiving, then you should re-record the OGM to include it.

Multi-line connections (PBX)

We suggest you ask the company who installed your PBX to connect your machine. If you have a multi line system we suggest you ask the installer to connect the unit to the last line on the system. This prevents the machine being activated each time the system receives telephone calls. If all incoming calls will be answered by a switchboard operator we recommend that you set the Receive Mode to **Manual**.

We cannot guarantee that your machine will operate correctly under all circumstances when connected to a PBX. Any difficulties with sending or receiving faxes should be reported first to the company who handles your PBX.

External and extension telephones

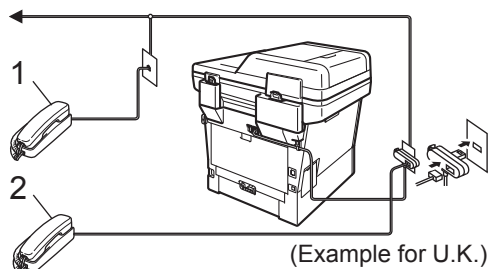


Note

You need to turn the Remote Codes setting to **on** to use the Remote Activation Code *51 and Remote Deactivation Code #51. (See *Using Remote Codes* >> page 42.)

Connecting an external or extension telephone

You can connect a separate telephone directly to your machine as shown in the diagram below.



1 **Extension telephone**

2 **External telephone**

When you are using an external telephone, the LCD shows **Telephone**.

Operation from external or extension telephones

If you answer a fax call on an extension telephone, or an external telephone that is correctly connected to the machine through the T-piece connection, you can make your machine take the call by using the Remote Activation code. When you press the Remote Activation code *51 the machine starts to receive the fax.

If you answer a call and no one is on the line:

You should assume that you're receiving a manual fax.

Press *51 and wait for the chirp or until the LCD shows *Receiving*, and then hang up.



Note

You can also use the Fax Detect feature to make your machine automatically take the call. (See *Fax Detect* >> page 35.)

For Fax/Tel mode only

When the machine is in Fax/Tel mode, it will use the F/T Ring Time (fast double-ringing) to alert you to pick up a voice call.

Lift the external telephone's handset, and then press **Tel/R** to answer.

If you are at an extension telephone, you will need to lift the handset during the F/T Ring Time and then press **#51** between the fast double-rings. If no one is on the line, or if someone wants to send you a fax, send the call back to the machine by pressing *51.

Using extension telephones (U.K. only)

Your premises may already be wired with parallel extension telephones (those connected to sockets in other rooms in the building), or perhaps you intend to add extension telephones to your line. While the simplest arrangement is a parallel connection, there are some reasons why this arrangement may cause problems.

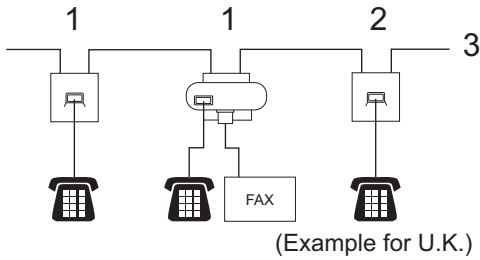
The most common problem, is someone picking up an extension telephone while the machine is trying to send a fax.

Such problems can easily be eliminated, if you arrange modification of your extension wiring circuit, such that extension devices are connected "downstream" of your machine, in a master/slave configuration (see *figure 2*). In such a configuration, this machine can always detect whether a telephone is in use, so it will not attempt to seize the line during that time. This is known as "telephone off-hook detection".

The inadvisable configuration is shown in *figure 1*, and the recommended master/slave configuration is shown in *figure 2*.

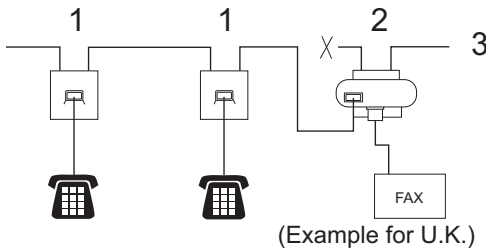
This new connection configuration can be arranged by contacting BT, Kingston upon Hull Telecommunications, your PBX maintainer or a qualified telephone installation company as appropriate. Simply explained, the extension telephone circuit should be terminated on a normal modular plug (BT 431A style), which in turn should be inserted into the modular socket of the white "T"-shaped connector provided as part of the line cord assembly.

Figure 1: Inadvisable connection of extension sockets



- 1 Extension socket
- 2 Master socket
- 3 Incoming line

Figure 2: Recommended connection of extension sockets



- 1 Extension socket
- 2 Master socket
- 3 Incoming line

These phones are now connected as *external devices* as shown on page 40, because they are connected to the fax machine via the T-connector.

Using a non-Brother cordless external handset

If your non-Brother cordless telephone is connected to the telephone line cord (➤➤ page 40) and you typically carry the cordless handset elsewhere, it is easier to answer calls during the Ring Delay.

If you let the machine answer first, you will have to go to the machine so you can press **Tel/R** to transfer the call to the cordless handset.

Using Remote Codes

Remote Activation Code

If you answer a fax call on an external or extension telephone, you can tell your machine to receive it by pressing the Remote Activation Code *51. Wait for the chirping sounds then replace the handset. (See *Fax Detect* ➤➤ page 35.) Your caller will have to press start to send the fax.

If you answer a fax call at the external telephone, you can make the machine receive the fax by pressing **Start** and then press *Receive*.


Remote Deactivation Code

If you receive a voice call and the machine is in F/T mode, it will start to sound the F/T ring (fast double-ring) after the initial ring delay. If you pick up the call on an extension telephone you can turn the F/T ring off by pressing **#51** (make sure you press this *between* the rings).

If the machine answers a voice call and fast double-rings for you to take over, you can take the call at the external telephone by pressing **Tel/R**.

Turning on the Remote Codes

You need to turn the Remote Codes setting to **On** to use the Fax Receive Code and Telephone Answer Code.

- 1 Press **Menu**.
- 2 Press **▲** or **▼** to display **Fax**.
Press **Fax**.
- 3 Press **▲** or **▼** to display
Setup Receive.
Press **Setup Receive**.
- 4 Press **▲** or **▼** to display **Remote Codes**.
Press **Remote Codes**.
- 5 Press **On**.
- 6 If you do not want to change the Remote Activation Code, press  on the LCD.
- 7 Press **Stop/Exit**.

Changing the Remote Codes

The preset Remote Activation Code is ***51**. The preset Remote Deactivation Code is **#51**. If you are always disconnected when accessing your External TAD, try changing the three-digit remote codes, for example **###** and **555**.

- 1 Press **Menu**.
- 2 Press **▲** or **▼** to display **Fax**.
Press **Fax**.
- 3 Press **▲** or **▼** to display
Setup Receive.
Press **Setup Receive**.
- 4 Press **▲** or **▼** to display **Remote Codes**.
Press **Remote Codes**.
- 5 Press **On** or **Off**.
- 6 If you chose **On** in step 5, enter the new Remote Activation Code.
Press **OK**.
- 7 Enter the new Remote Deactivation Code.
Press **OK**.
- 8 Press **Stop/Exit**.

8

Dialling and storing numbers

How to dial

You can dial in any of the following ways.

Manual dialling

Use the dial pad to enter all the digits of the telephone or fax number.



One Touch dialling



(See *Storing One Touch Dial numbers* >> page 48.)

- 1 Press the **Quick Dials** key on the control panel.
- 2 Press the Quick Dials button that stores the One Touch number you want to call.

Quick Dials		*17 - *32	Edit	↶
*01 ELEANOR	*05	*09	*13	
*02 GEORGE	*06	*10	*14	
*03	*07	*11	*15	
*04	*08	*12	*16	

To dial One Touch numbers 17 to 32, press the ***17- *32** button and then press the Quick Dial button you want to call.

Speed dialling

- 1 Press  (Address Book).
- 2 Press the three-digit Speed Dial number you want to call. You can also display the Speed Dial numbers in alphabetical order by pressing the  button on the Touchscreen.
- 3 Press **Send a fax** or **Send a E-mail**.
- 4 Press **Start**.





Note

If the LCD shows **Not Registered** when you enter or search a Speed Dial number, a number has not been stored at this location.

Search

You can search alphabetically for names you have stored in the One Touch and Speed Dial memories. (See *Storing One Touch Dial numbers* >> page 48 and *Storing Speed Dial numbers* >> page 50.)

- 1 Press  (Address Book).
- 2 Press  (Search) on the Touchscreen.
- 3 Press the first few letters of the name on the Touchscreen.
Press OK.
- 4 Press ▲ or ▼ to scroll until you find the name you are looking for.
Press the name you are looking for.
- 5 Press **Send a fax** or
Send a E-mail.
- 6 Press **Start**.



Note

- If the LCD shows **Results cannot be found..** when you enter the first few letters of the name, it means that a name for the letter is not stored.
 - One Touch Dial number and Speed Dial numbers stored without the name cannot be retrieved by the Search function.
-

LDAP search

If the machine is connected to your LDAP server, you can search for information such as fax numbers and E-mail addresses from your server. (See *How to set up LDAP* >> *Network User's Guide*)

Fax redial

If you are sending a fax automatically and the line is busy, the machine will automatically redial up to three times at five minute intervals.

Redial/Pause only works if you dialled from the control panel.

Storing numbers

You can set up your machine to do the following types of easy dialling: One Touch, Speed Dial and Groups for Broadcasting faxes. You can also specify the default resolution for each One Touch and Speed Dial number. When you dial a One Touch or Speed Dial number, the LCD shows the name or if you stored it, the number. A scan profile can also be stored along with the fax number.

If you lose electrical power, the numbers stored in the memory will not be lost.

A scan profile is the resolution and other scan settings that you choose when you store a number.

For example you can select the following options.

For Fax:

Standard, Fine, S.Fine or Photo

For IFAX:

Standard, Fine or Photo

For E-Mail:

Color 100 dpi, Color 200 dpi, Color 300 dpi, Color 600 dpi, Color Auto, Gray 100 dpi, Gray 200 dpi, Gray 300 dpi, Gray Auto, B&W 300 dpi, B&W 200 dpi, or B&W 200x100 dpi

Storing a pause

Press **Pause** to insert a 2.8-second pause between numbers. You can press **Pause** as many times as needed to increase the length of the pause.

One Touch and Speed Dial Storage Options

The following chart shows the selections for the settings for One Touch and Speed Dial numbers. When you store numbers, the LCD instructs you to choose from the options shown in the following steps.

Step 1	Step 2	Step 3	Step 4	Step 5	Step 6
Enter One Touch or Speed Dial Location	Enter Name	Select Registration Type	Enter Number or E-mail Address	Select Resolution	Select File type
One Touch or Speed Dial	Enter the name you want to store or Press OK	Fax	Enter the Fax Number	Standard, Fine, S. Fine, Photo	-
		IFAX	Enter the E-mail Address	Standard, Fine, Photo	-
		E-Mail B&W PDF		300 dpi, 200 dpi, 200 x 100 dpi	PDF, PDF/A, Secure PDF, Signed PDF
		E-Mail B&W TIFF		300 dpi, 200 dpi, 200 x 100 dpi	-
		E-Mail Color PDF		100 dpi, 200 dpi, 300 dpi, 600 dpi, Auto	PDF, PDF/A, Secure PDF, Signed PDF
		E-Mail Color JPEG		100 dpi, 200 dpi, 300 dpi, 600 dpi, Auto	-
		E-Mail Color XPS		100 dpi, 200 dpi, 300 dpi, 600 dpi, Auto	-
		E-Mail Gray PDF		100 dpi, 200 dpi, 300 dpi, Auto	PDF, PDF/A, Secure PDF, Signed PDF
		E-Mail Gray JPEG		100 dpi, 200 dpi, 300 dpi, Auto	-
		E-Mail Gray XPS		100 dpi, 200 dpi, 300 dpi, Auto	-



Note

- PDF/A is a PDF file format intended for long-term archiving. This format contains all the necessary information to be able to reproduce the document after long-term storage.
- Secure PDF is a PDF file format that has been password-protected.
- Signed PDF is a PDF file format that helps prevent data tampering and the impersonation of an author by including a digital certificate within the document. If you choose Signed PDF, you must install a certificate on your machine using Web Based Management. Choose **Signed PDF** from **Administrator** in Web Based Management. (How to install a certificate ►► Network User's Guide)

Storing One Touch Dial numbers

- 1 Press the **Quick Dials** key on the control panel.
- 2 Press the Quick Dial button where you want to store the One Touch number or E-mail address.


Quick Dials		*17- *32	Edit	
*01	ELEANOR 	*05	*09	*13
*02	GEORGE 	*06	*10	*14
*03		*07	*11	*15
*04		*08	*12	*16

To select One Touch numbers 17 to 32, press ***17- *32** and then press the Quick Dial button where you want to store the One Touch number.

If a number or E-mail address is not stored there, the LCD shows

Not Registered
Register Now?.

Press Yes.

Or, you can use the Touchscreen buttons by pressing  (Address Book), **Edit** and

Set One Touch Dial, and then enter the number of the One Touch button where you want to store the number or E-mail address. Press **OK**.



Note

If the Quick Dial button you choose is already taken, the **OK** button on the Touchscreen will not work. Choose a different number.

- 3 Do one of the following:
 - Enter the name (up to 15 characters) by pressing the buttons on the Touchscreen. See *Entering text* >> page 170 to help you enter letters.
Press **OK**.
 - Press **OK** to store the number or E-mail address without a name.

- 4 Press **◀** or **▶** to select
Fax,
IFAX,
E-Mail B&W PDF,
E-Mail B&W TIFF,
E-Mail Color PDF,
E-Mail Color JPEG,
E-Mail Color XPS,
E-Mail Gray PDF,
E-Mail Gray JPEG,
E-Mail Gray XPS.

- 5 Enter the telephone, fax number (up to 20 characters each) or E-mail address (up to 60 characters each). See *Entering text* >> page 170 to help you enter letters.
Press **OK**.



Note

- If you selected an E-mail Registration Type in step 4 and save the E-mail address, you can only use the E-mail address when you are in Scan mode.
- If you selected the IFAX Registration Type in step 4 and save the E-mail address, you can only use the E-mail address when you are in Fax mode.

- 6 To save a fax/scan resolution along with the fax number/E-mail address, go to the appropriate step as shown in the following table.

Option selected in step 4	Go to step
Fax	7
IFAX	8
E-Mail B&W PDF	9
E-Mail B&W TIFF	
E-Mail Color PDF	10
E-Mail Color JPEG	
E-Mail Color XPS	
E-Mail Gray PDF	11
E-Mail Gray JPEG	
E-Mail Gray XPS	



Note

- When you do a broadcast and you have saved a scan profile along with the number or E-mail address, the scan profile of the One Touch, Speed Dial or Group number you chose *first* will be applied to the broadcast.
- Details about the file format >>> Software User's Guide: *Using the Scan key*

- 7 Select the resolution from Standard, Fine, S.Fine or Photo and go to step 13.
- 8 Select the resolution from Standard, Fine or Photo and go to step 13.
- 9 Select the resolution from 300 dpi, 200 dpi or 200 x 100 dpi.
- If you chose E-Mail B&W PDF, go to step 12.
 - If you chose E-Mail B&W TIFF, go to step 13.

- 10 Select the resolution from 100 dpi, 200 dpi, 300 dpi, 600 dpi or Auto.

- If you chose E-Mail Color PDF, go to step 12.
- If you chose E-Mail Color JPEG or E-Mail Color XPS, go to step 13.

- 11 Select the resolution from 100 dpi, 200 dpi, 300 dpi or Auto.

- If you chose E-Mail Gray PDF, go to step 12.
- If you chose E-Mail Gray JPEG or E-Mail Gray XPS, go to step 13.

- 12 Select the PDF type from PDF, PDF/A, Secure PDF or Signed PDF that will be used to send to your PC.





Note

If you choose Secure PDF, the machine will ask you to enter a four-digit password using numbers 0-9 before it starts scanning.

- 13 When the LCD displays your settings, press OK to confirm.
- 14 Press **Stop/Exit**.

Storing Speed Dial numbers

You can store your frequently used numbers as Speed Dial numbers, so that when you dial you will only have to press a few keys (for example: press  (Address Book), the number you want to call and *Send a fax*). The machine can store 300 Speed Dial numbers (001-300).

- 1 Press  (Address Book).
- 2 Press *Edit*.
- 3 Press *Set Speed Dial*.
- 4 Do one of the following:
 - Enter the name (up to 15 characters) by pressing the buttons on the Touchscreen. See *Entering text* >> page 170 to help you enter letters.
Press *OK*.
 - Press *OK* to store the number or E-mail address without a name.
- 5 Press *◀* or *▶* to select
Fax,
IFAX,
E-Mail B&W PDF,
E-Mail B&W TIFF,
E-Mail Color PDF,
E-Mail Color JPEG,
E-Mail Color XPS,
E-Mail Gray PDF,
E-Mail Gray JPEG,
E-Mail Gray XPS.

- 6 Enter the telephone, fax number (up to 20 characters each) or E-mail address (up to 60 characters each). See *Entering text* >> page 170 to help you enter letters.
Press *OK*.



Note

- If you selected an E-mail Registration Type in step 5 and save the E-mail address, you can only use the E-mail address when you are in Scan mode.
- If you selected the IFAX Registration Type in step 5 and save the E-mail address, you can only use the E-mail address when you are in Fax mode.

- 7 To save a fax/scan resolution along with the fax number/E-mail address, go to the appropriate step as shown in the following table.

Option selected in step 5	Go to step
Fax	8
IFAX	9
E-Mail B&W PDF	10
E-Mail B&W TIFF	
E-Mail Color PDF	11
E-Mail Color JPEG	
E-Mail Color XPS	
E-Mail Gray PDF	12
E-Mail Gray JPEG	
E-Mail Gray XPS	



Note

- When you are broadcasting and you have saved a scan profile along with the number or E-mail address, the scan profile of the One Touch, Speed Dial or Group number you chose *first* will be applied to the broadcast.
- Details about the file format >> Software User's Guide: *Using the Scan key*

- 8 Select the resolution from **Standard**, **Fine**, **S. Fine** or **Photo** and go to step 14.
- 9 Select the resolution from **Standard**, **Fine** or **Photo** and go to step 14.
- 10 Select the resolution from **300 dpi**, **200 dpi** or **200 x 100 dpi**.
 - If you chose **E-Mail B&W PDF**, go to step 13.
 - If you chose **E-Mail B&W TIFF**, go to step 14.
- 11 Select the resolution from **100 dpi**, **200 dpi**, **300 dpi**, **600 dpi** or **Auto**.
 - If you chose **E-Mail Color PDF**, go to step 13.
 - If you chose **E-Mail Color JPEG** or **E-Mail Color XPS**, go to step 14.
- 12 Select the resolution from **100 dpi**, **200 dpi**, **300 dpi** or **Auto**.
 - If you chose **E-Mail Gray PDF**, go to step 13.
 - If you chose **E-Mail Gray JPEG** or **E-Mail Gray XPS**, go to step 14.
- 13 Select the PDF type from **PDF**, **PDF/A**, **Secure PDF** or **Signed PDF** that will be used to send to your PC.



Note


If you choose **Secure PDF**, the machine will ask you to enter a four-digit password using numbers 0-9 before it starts scanning.

- 14 Enter a three-digit Speed Dial location number (001-300). Press **OK**.
- 15 When the LCD displays your settings, press **OK** to confirm.
- 16 Press **Stop/Exit**.

Changing or Deleting One Touch and Speed Dial numbers

You can change or delete a One Touch or Speed Dial number that has already been stored.

If the stored number has a scheduled job, such as a delayed fax or a fax forwarding number, it will be dimmed on the LCD. You cannot select the number to make changes or to delete it unless you first cancel the scheduled job. (►► *Advanced User's Guide: Checking and cancelling waiting jobs*)

- 1 Press  (**Address Book**).
- 2 Press **Edit**.
- 3 Do one of the following:
 - Press **Change** to edit the name, number or E-mail address and go to step 4.
 - Press **Delete** to delete all information in a Speed Dial or One Touch number.

Select the number you want to delete by pressing it to display a red check mark.

Press **OK**.

When **Erase This Data?** appears, press **Yes** to accept it.

Go to step 8.
- 4 Press **▲** or **▼** to display the number you want to change. Press the number you want to change.



Note

One Touch Dial numbers begin with *****. Speed Dial numbers begin with **#**.


- 5 Press **Name** :
Number/Address :
Resolution : or
PDF Type :

- 6 Do one of the following:
- If you chose **Name :**, enter the name (up to 15 characters) by pressing the buttons on the Touchscreen.
Press **OK**.
 - If you chose **Number/Address :**, enter the new number (up to 20 digits) or E-mail address (up to 60 digits) by pressing the buttons on the Touchscreen.
Press **OK**.
 - If you chose **Resolution :**, press one of the available resolution options displayed on the Touchscreen.
 - If you chose **PDF Type :**, press one of the available file type options displayed on the Touchscreen.



Note

How to change the stored name or number:

If you want to change a character, press ◀ or ▶ to position the cursor under the character you want to change, and then press . Re-enter the character.

The LCD will display your new setting.

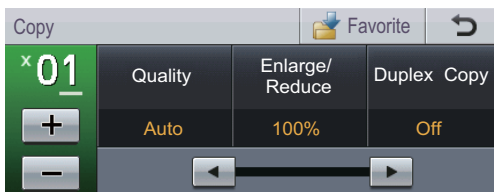
- 7 Do one of the following:
- When you are finished making changes, press **OK**.
 - To change more details, go to step 6.
- 8 Press **Stop/Exit**.

How to copy

The following steps show the basic copy operation.

- 1 When you want to make a copy, press the **Copy** button on the Touchscreen.

- The LCD shows:



You can enter the number of copies you want by pressing the + and - buttons on the Touchscreen.

- 2 Do one of the following to load your document:
 - Place the document *face up* in the ADF. (See *Using the automatic document feeder (ADF)* >> page 25.)
 - Load your document *face down* on the scanner glass. (See *Using the scanner glass* >> page 26.)

- 3 Press **Start**.

Stop copying

To stop copying, press **Stop/Exit**.

Copy settings

Press **Copy** and then press ◀ or ▶ to choose the setting you want.

You can change the following copy settings:

(Basic User's Guide)

- Tray Setting (Paper Size and Type) >> page 17
- Tray Use: Copy >> page 18

(Advanced User's Guide)

For details about changing the following settings >> Advanced User's Guide: *Copy settings*:

- Quality
- Enlarge/Reduce
- Duplex Copy
- Tray Use
- Brightness
- Contrast
- Stack/Sort
- Page Layout
- 2in1 (ID) (Page Layout)
- Set New Default
- Factory Reset
- Favorite Settings

10

Printing data from a USB Flash memory drive or digital camera supporting mass storage

With the Direct Print feature, you do not need a computer to print data. You can print by just plugging your USB Flash memory drive into the machine's USB direct interface. You can also connect and print directly from a camera set to USB mass storage mode.

You can use a USB Flash Memory Drive that has the following specifications:

USB Class	USB Mass Storage Class
USB Mass Storage Class	SCSI or SFF-8070i
Transfer protocol	Bulk transfer Only
Format ¹	FAT12/FAT16/FAT32
Sector size	Max. 4096 Byte
Encryption	USB Flash Memory Drive does not secure itself.

¹ NTFS format is not supported.



Note

- Some USB Flash memory drives may not work with the machine.
- If your camera is in PictBridge mode, you cannot print data. Please refer to the documentation supplied with your camera to switch from PictBridge mode to mass storage mode.

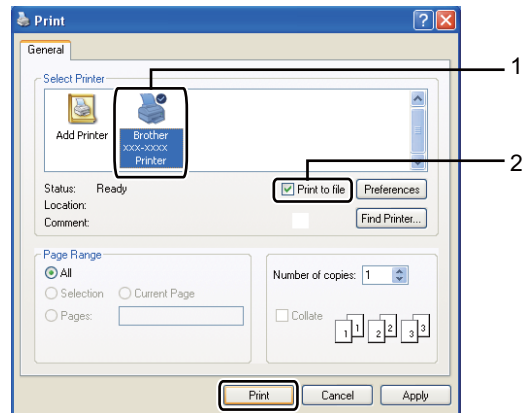
Creating a PRN file for direct printing



Note

The screens in this section may vary depending on your application and operating system.

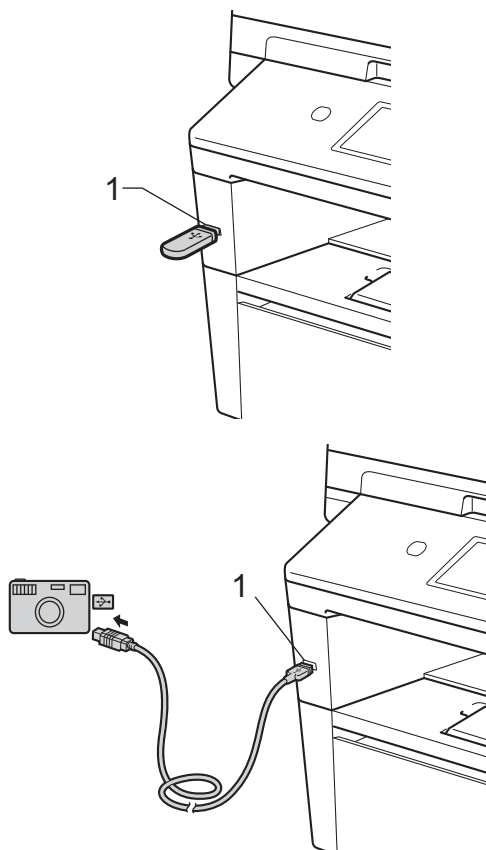
- 1 From the menu bar of an application, click **File**, then **Print**.
- 2 Choose **Brother MFC-XXXX Printer** (1) and check the **Print to file** box (2). Click **Print**.



- 3 Choose the folder you want to save the file to and enter the file name if you are prompted to.
If you are prompted for a file name only, you can also specify the folder you want to save the file in by entering the directory name. For example:
C:\Temp\FileName.prn
If you have a USB Flash memory drive or digital camera connected to your computer, you can save the file directly to the USB Flash memory drive.

Printing data directly from the USB Flash memory drive or digital camera supporting mass storage

- 1 Connect your USB Flash memory drive or digital camera to the USB direct interface (1) on the front of the machine. The LCD will automatically show the USB memory menu to confirm the intended use of the USB devices.



Note

- Make sure your digital camera is turned on.
- Your digital camera must be switched from PictBridge mode to mass storage mode.
- If an error occurs, the USB memory menu will not appear on the LCD.
- When the machine is in Deep Sleep mode, the LCD does not show any information even if you connect a USB flash memory drive to the USB direct interface. Press the Touchscreen or any key to wake up the machine. Press **Direct Print** on the Touchscreen, the LCD will show the USB memory menu.

- 2 Press **Direct Print**.

Note

If your machine has been set to **Secure Function Lock On**, you may not be able to access **Direct Print**. (➤ *Advanced User's Guide: Switching Users*)

- 3 Press **▲** or **▼** to choose the folder name and file name you want to print. If you have chosen the folder name, press **▲** or **▼** to choose the file name you want to print.

Note

If you want to print an index of the files, press **Index Print** on the Touchscreen. Press **Start** to print the data.

- 4 Enter the number of copies you want by pressing the **+** and **-** buttons on the Touchscreen.

- 5 Do one of the following:
 - Press `Print Settings`. Go to step 6.
 - If you do not want to change the current default settings, go to step 8.
- 6 Press `▲` or `▼` to display an option setting you want to change. Press the option and change the setting.



Note

- You can choose the following settings:

Paper Size
 Paper Type
 Multiple Page
 Orientation
 Duplex
 Collate
 Tray Use
 Print Quality
 PDF Option

- Depending on the file type, some of these settings may not appear.

- 7 Do one of the following:
 - If you want to change other option settings, repeat step 6.
 - If you do not want to change any other options, press `↵` and go to step 8.
- 8 Press **Start** to print the data.
- 9 Press **Stop/Exit**.

! Important

- To prevent damage to your machine, DO NOT connect any device other than a digital camera or USB Flash memory drive to the USB direct interface.
- DO NOT remove the USB Flash memory drive or digital camera from the USB direct interface until the machine has finished printing.

Changing the default settings for direct print

You can change the default settings for Direct Print.

- 1 Connect your USB Flash memory drive or digital camera to the USB direct interface on the front of the machine.
- 2 Press `Direct Print` on the LCD.
- 3 Press `Default Settings`.
- 4 Press `▲` or `▼` to display the setting you want to change. Press the setting.
- 5 Press the new option you want. Repeat steps 4 to 5 for each setting you want to change.



Note

How to display all available options:

When the LCD displays the `◀` and `▶` buttons, press `◀` or `▶` to display all available options.

- 6 Press **Stop/Exit**.

Printing a document

The machine can receive data from your computer and print it. To print from a computer, you must install the printer driver.

(➤➤ Software User's Guide: *Printing* for Windows® or *Printing and Faxing* for Macintosh)

- 1 Install the Brother printer driver from the Installer CD-ROM. (➤➤ Quick Setup Guide)
- 2 From your application, choose the Print command.
- 3 Choose the name of your machine in the **Print** dialog box and click **Properties** (or Preferences, depending on the application you are using).
- 4 Choose the settings you want in the **Properties** dialog box, and then click **OK**.
 - Paper Size
 - Orientation
 - Copies
 - Media Type
 - Resolution
 - Print Settings
 - Multiple Page
 - Duplex / Booklet
 - Paper Source
- 5 Click **OK** to begin printing.

12

How to scan to a computer

Scanning a document as a PDF file using ControlCenter4 (Windows®)

(For Macintosh users >> Software User's Guide: *Scanning*)

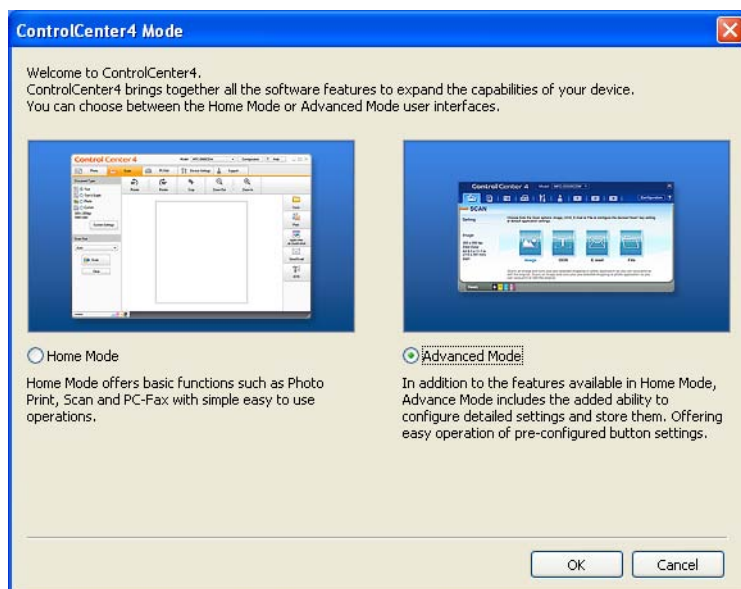


Note

The screens on your PC may vary depending on your model.

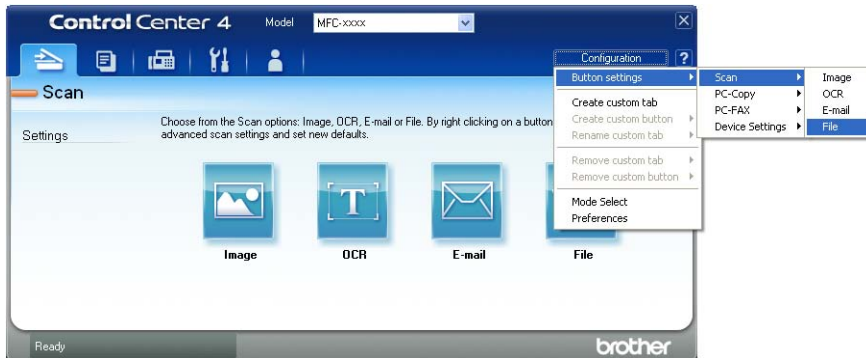
ControlCenter4 is a software utility that lets you quickly and easily access the applications you use most often. Using ControlCenter4 eliminates the need to manually launch specific applications.

- 1 Load your document. (See *How to load documents* >> page 25.)
- 2 Open ControlCenter4 by clicking **Start/All Programs/Brother/XXX-XXXX** (where XXX-XXXX is your model name)/**ControlCenter4**. The ControlCenter4 application will open.
- 3 Choose **Home Mode** or **Advanced Mode** before you use ControlCenter4 and then click **OK**. This section briefly introduces the ControlCenter4 functions in **Advanced Mode**.

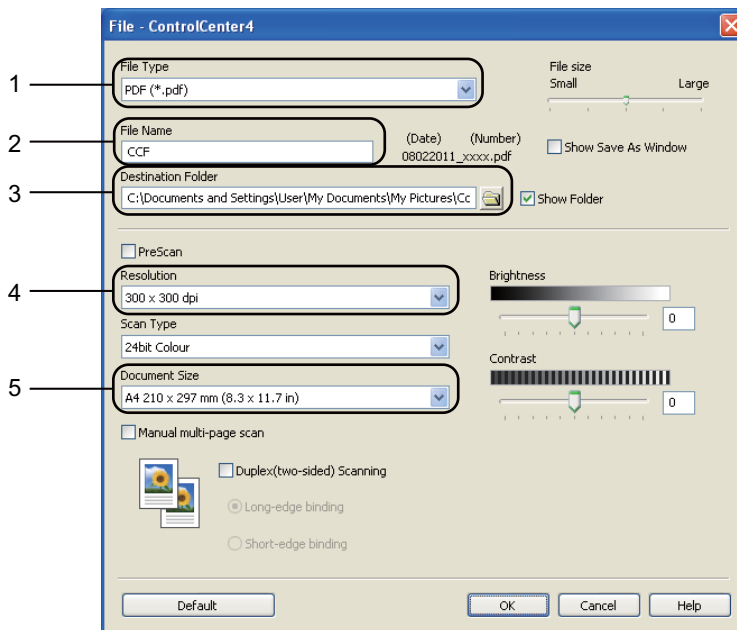



- 4 Make sure the machine you want to use is selected from the **Model** pull-down list.

- 5 Set the scanning configuration.
Click **Configuration**, and then select **Button settings**, **Scan** and **File**.



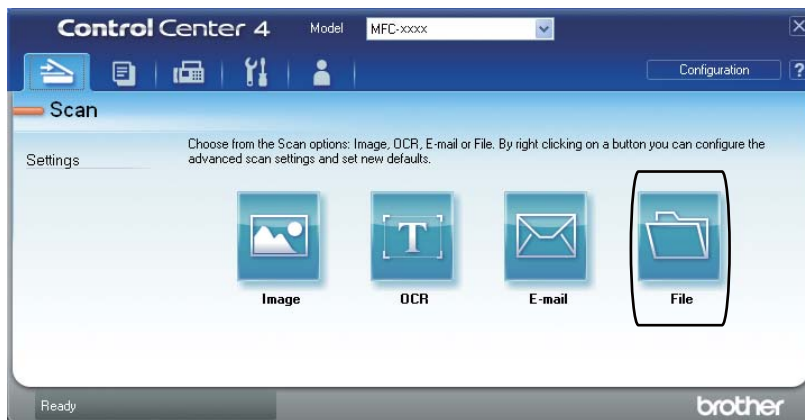
The configuration dialog box appears. You can change the default settings.



- 1 Confirm that **PDF (*.pdf)** is selected from the **File Type** pull-down list.
- 2 You can enter the file name you want to use for the document.
- 3 You can save the file to the default folder, or choose your preferred folder by clicking the  (**Browse**) button.
- 4 You can choose a scanning resolution from the **Resolution** pull-down list.
- 5 You can choose the document size from the **Document Size** pull-down list.

- 6 Click **OK**.

- 7 Click **File**.
The machine starts the scanning process. The folder where the scanned data is saved will open automatically.



Changing the Scan button settings

Before scanning

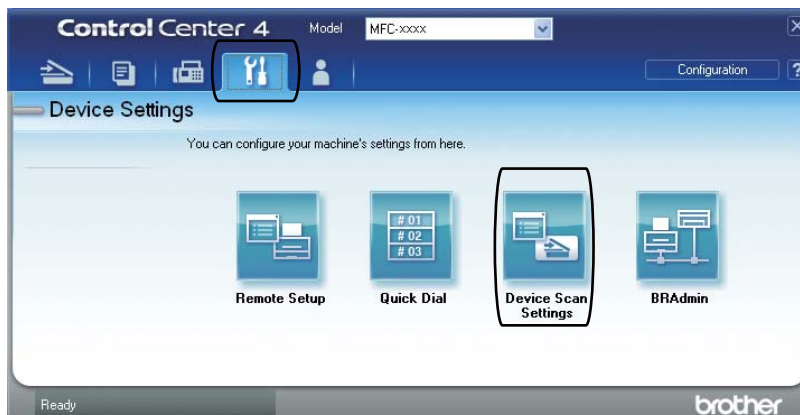
To use the machine as a scanner, install a scanner driver. If the machine is on a network, configure it with a TCP/IP address.

- Install the scanner drivers from the Installer CD-ROM. (▶▶ Quick Setup Guide)
- Configure the machine with a TCP/IP address if network scanning does not work. (▶▶ Software User's Guide: *Configuring Network Scanning (Windows®)*)

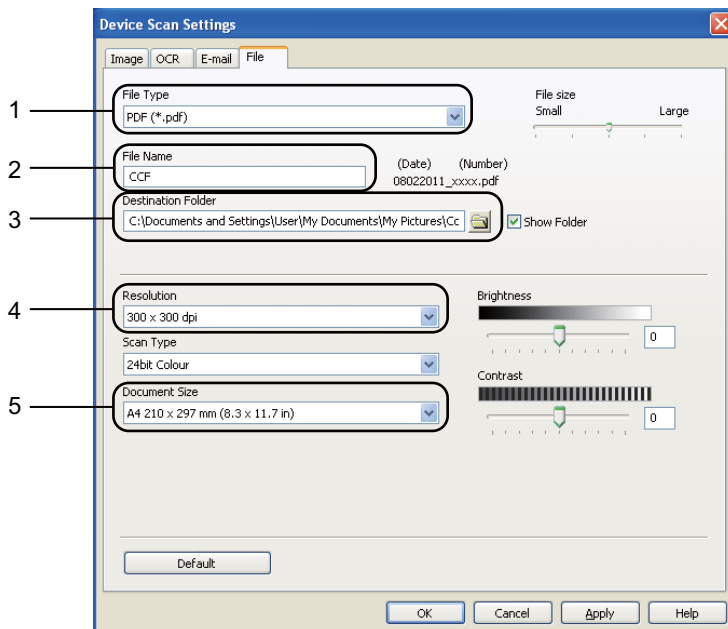
Scan button settings


You can change your machine's `Scan` button settings using ControlCenter4.

- 1 Open ControlCenter4 by clicking **Start/All Programs/Brother/XXX-XXXX** (where XXX-XXXX is your model name)/**ControlCenter4**. The ControlCenter4 application will open.
- 2 Make sure the machine you want to use is selected from the **Model** pull-down list.
- 3 Click the **Device Settings** tab.
- 4 Click **Device Scan Settings**.



- 5 Choose the **File** tab. You can change the default settings.



- 1 You can choose the file type from the pull-down list.
- 2 You can enter the file name you want to use for the document.
- 3 You can save the file to the default folder, or choose your preferred folder by clicking the  (**Browse**) button.
- 4 You can choose a scanning resolution from the **Resolution** pull-down list.
- 5 You can choose the document size from the **Document Size** pull-down list.

- 6 Click **OK**.

Scanning using the Scan button

- 1 Load your document. (See *How to load documents* >> page 25.)
- 2 Press **Scan**.
- 3 Press **Scan to PC**.
- 4 Press **File**.
- 5 (For Network users)
Press **▲** or **▼** to choose the destination computer you want to send to.
Press **OK**.
If the LCD prompts you to enter a PIN number, enter the 4-digit PIN number for the destination computer using the dial pad on the control panel.
Press **OK**.
- 6 Do one of the following:
 - If you want to change the duplex setting, press **Duplex Scan**. Then press **Off**,
DuplexScan : LongEdge Or **DuplexScan : ShortEdge**.
 - To start scanning without changing additional settings, go to step 7.
- 7 Press **Start**.
The machine starts the scanning process.



Note

The following scan modes are available.

Scan to:

- USB
- Network (Windows®)
- FTP
- E-mail (Server)
- E-Mail (Scan to PC)
- Image (Scan to PC)
- OCR (Scan to PC)
- File (Scan to PC)
- Web Service¹ (Web Services Scan)

¹ Windows® users only. (Windows Vista® SP2 or later and Windows® 7)
(>> Software User's Guide: *Using Web Services for scanning on your network (Windows Vista® SP2 or greater and Windows® 7)*)

A

Routine maintenance

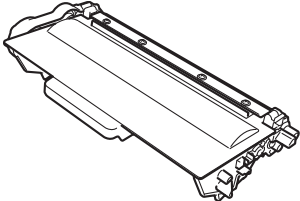
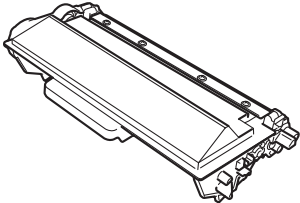
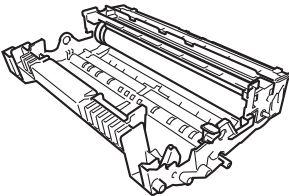
Replacing the consumable items

The following messages appear on the LCD in the Ready mode. These messages provide advanced warnings to replace the consumable items before they reach the end of their life. To avoid any inconvenience, you may want to buy spare consumable items before the machine stops printing.



Note

The drum unit and toner cartridge are two separate consumables. Make sure both are installed as an assembly. If the toner cartridge is placed in the machine without the drum unit, the messages *Drum Error* or *Jam Inside* may be displayed.

Toner cartridge	Drum unit
See <i>Replacing the toner cartridge</i> >> page 66. Model Name: TN-3330, TN-3380, TN-3390	See <i>Replacing the drum unit</i> >> page 72. Model Name: DR-3300
<p>TN-3330, TN-3380</p>  <p>TN-3390</p> 	

LCD messages	Consumable item to prepare	Approximate life	How to replace	Model name
Toner Low	Toner cartridge	3,000 pages ^{1 2 3}	See page 66.	TN-3330 ³
Prepare New Toner Cartridge.		8,000 pages ^{1 2 4}		TN-3380 ⁴
		12,000 pages ^{1 2 5}		TN-3390 ⁵

¹ A4 or Letter size single-sided pages.

² Approx. cartridge yield is declared in accordance with ISO/IEC 19752.

³ Standard toner cartridge

⁴ High yield toner cartridge

⁵ Super high yield toner cartridge

You will need to clean the machine regularly and replace the consumable items when the following messages are displayed on the LCD.

LCD messages	Consumable item to replace	Approximate life	How to replace	Model name
Replace Toner	Toner cartridge	3,000 pages ^{1 2 5} 8,000 pages ^{1 2 6} 12,000 pages ^{1 2 7}	See page 66.	TN-3330 ⁵ TN-3380 ⁶ TN-3390 ⁷
Replace Parts Drum Unit Drum Stop	Drum unit	30,000 pages ^{1 3 4}	See page 73.	DR-3300

¹ A4 or Letter size single-sided pages.

² Approx. cartridge yield is declared in accordance with ISO/IEC 19752.

³ 1 page per job.

⁴ Drum life is approximate and may vary by type of use.

⁵ Standard toner cartridge

⁶ High yield toner cartridge

⁷ Super high yield toner cartridge



Note

- Go to <http://www.brother.com/original/index.html> for instructions on how to return your used consumable items to the Brother recycling program. If you choose not to return your used items, please discard the used consumable according to local regulations, keeping it separate from domestic waste. If you have questions, call your local waste disposal office. (►► Product Safety Guide: *Recycling information in accordance with the WEEE (2002/96/EC) and Battery (2006/66/EC) Directives*)
- We recommend placing used consumable items on a piece of paper to prevent accidentally spilling or scattering the material inside.
- If you use paper that is not a direct equivalent for the recommended paper, the life of consumable items and machine parts may be reduced.
- The projected life for each of the toner cartridges is based on ISO/IEC 19752. Frequency of replacement will vary depending on the complexity of printed pages, percentage of coverage and type of media used.

Replacing the toner cartridge

Model Name: TN-3330, TN-3380, TN-3390

The Standard toner cartridge can print approximately 3,000 pages¹. The High Yield toner cartridge can print approximately 8,000 pages¹. The Super High Yield toner cartridge can print approximately 12,000 pages¹. Actual page count will vary depending on your average type of document.

When the toner cartridge is running low, the LCD shows **Toner Low**.

The toner cartridge that comes supplied with the machine will need to be replaced after approximately 8,000 pages.¹

¹ Approx. cartridge yield is declared in accordance with ISO/IEC 19752.



Note

- It is a good idea to keep a new toner cartridge ready for use when you see the **Toner Low** warning.
 - To ensure high quality printing, we recommend that you use only Brother Original toner cartridges. When you want to buy toner cartridges, please call your Brother dealer.
 - If you print graphics, bold text, charts, web pages with borders, and other types of printouts that consist of more than simple text, the amount of toner used will increase.
 - We recommend that you clean the machine when you replace the toner cartridge. See *Cleaning and Checking the machine* >> page 77.
 - If you change the print density setting for lighter or darker printing, the amount of toner used will change.
 - Wait to unpack the toner cartridge until immediately before you put it into the machine.
-

Toner Low

If the LCD shows **Toner Low**, buy a new toner cartridge and have it ready before you get a **Replace Toner** message.

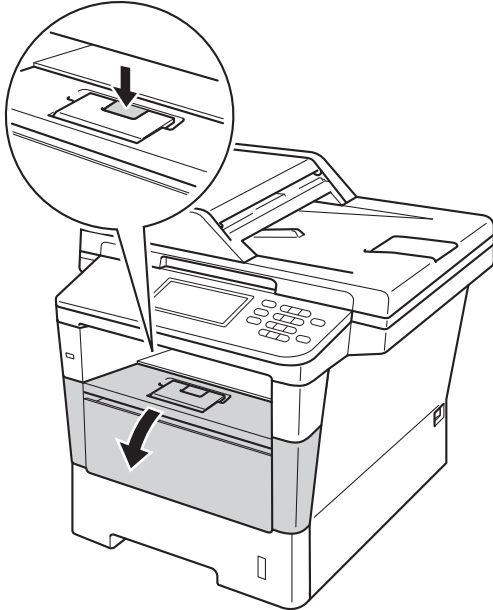
Replace Toner

When the LCD shows **Replace Toner** the machine will stop printing until you replace the toner cartridge.

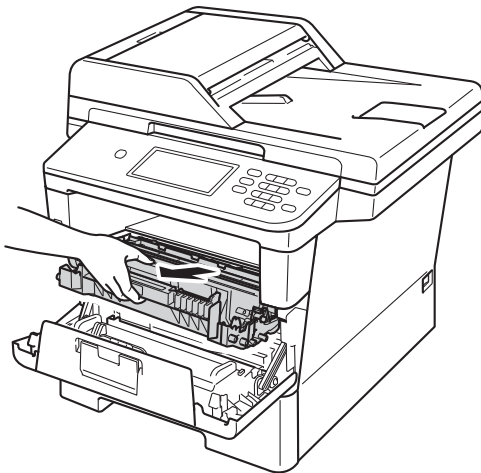
A new Brother Original toner cartridge will reset the **Replace Toner** message.

Replacing the toner cartridge

- 1 Leave the machine turned on for 10 minutes for the internal fan to cool the extremely hot parts inside the machine.
- 2 Press the front cover release button and then open the front cover.



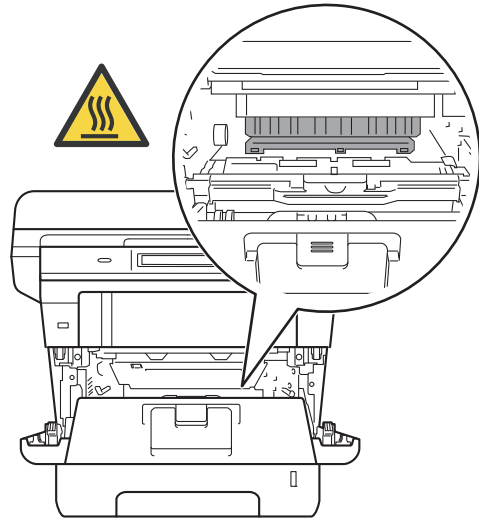
- 3 Take out the drum unit and toner cartridge assembly.



WARNING

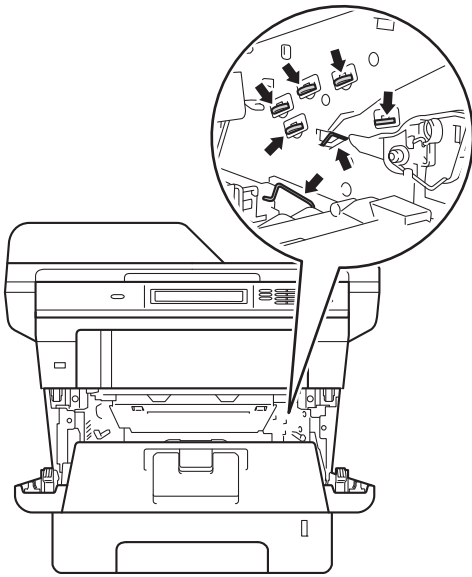
HOT SURFACE

After you have just used the machine, some internal parts of the machine will be extremely hot. Wait for the machine to cool down before you touch the internal parts of the machine.

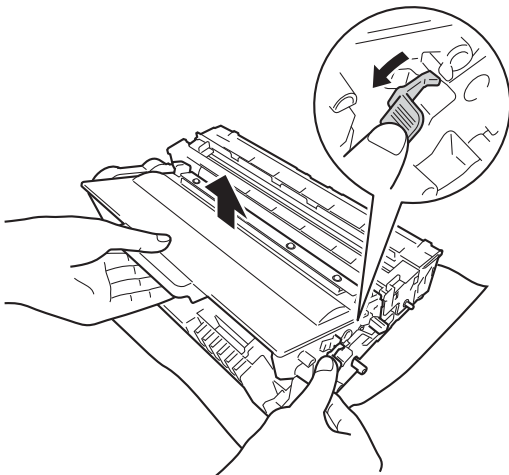


! Important

- We recommend that you place the drum unit and toner cartridge assembly on a clean, flat surface with a piece of disposable paper underneath it in case you accidentally spill or scatter toner.
- To prevent damage to the machine from static electricity, DO NOT touch the electrodes shown in the illustration.



- 4 Push down the green lock lever and take the toner cartridge out of the drum unit.



! WARNING



- DO NOT put a toner cartridge or a toner cartridge and drum unit assembly into a fire. It could explode, resulting in injuries.
- DO NOT use flammable substances, any type of spray, or an organic solvent/liquid containing alcohol or ammonia to clean the inside or outside of the product. Doing so could cause a fire or electrical shock. Instead, use only a dry, lint-free cloth.

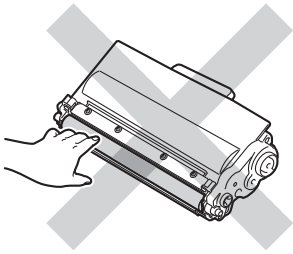
(>> Product Safety Guide: *General precautions*)



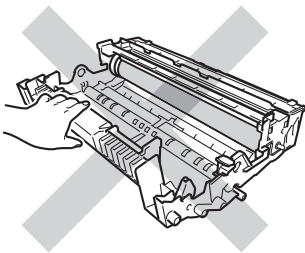
! Important

- Handle the toner cartridge carefully. If toner scatters on your hands or clothes, immediately wipe or wash it off with cold water.
- To avoid print quality problems, DO NOT touch the shaded parts shown in the illustrations.

<Toner cartridge>



<Drum unit>

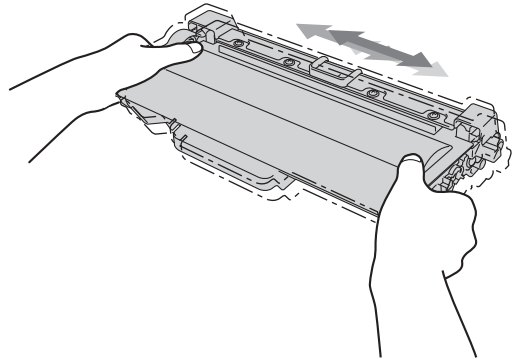


- We recommend that you place the toner cartridge on a clean, flat, level, stable surface with a sheet of disposable paper or cloth underneath it in case you accidentally spill or scatter toner.

Note

- Be sure to seal up the used toner cartridge tightly in a suitable bag so that toner powder does not spill out of the cartridge.
- Go to <http://www.brother.com/original/index.html> for instructions on how to return your used consumable items to the Brother recycling program. If you choose not to return your used items, please discard the used consumable according to local regulations, keeping it separate from domestic waste. If you have questions, call your local waste disposal office.
(>> Product Safety Guide: *Recycling information in accordance with the WEEE (2002/96/EC) and Battery (2006/66/EC) Directives*)

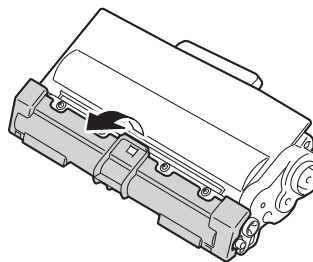
5. Unpack the new toner cartridge. Hold the cartridge level with both hands and gently shake it from side to side several times to spread the toner evenly inside the cartridge.



❗ Important

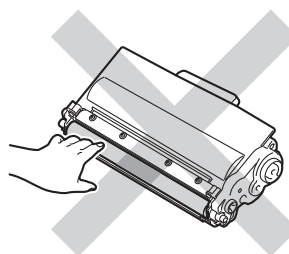
- Unpack the toner cartridge just before you put it in the machine. If a toner cartridge is left unpacked for a long time, the toner life will be shortened.
- If an unpacked drum unit is put in direct sunlight or room light, the unit may be damaged.
- Brother machines are designed to work with toner of a particular specification and will work to a level of optimum performance when used with Brother Original toner cartridges. Brother cannot guarantee this optimum performance if toner or toner cartridges of other specifications are used. The machine may not detect toner or toner cartridges of other specifications correctly but may instead detect such items as standard yield toner cartridges. Brother does not therefore recommend the use of cartridges other than Brother Original cartridges with this machine, or the refilling of empty cartridges with toner from other sources. If damage is caused to the drum unit or other parts of this machine as a result of the use of toner or toner cartridges other than Brother Original products due to the incompatibility or lack of suitability of those products with this machine, any repairs required as a result may not be covered by the warranty.

- 6 Pull off the protective cover.

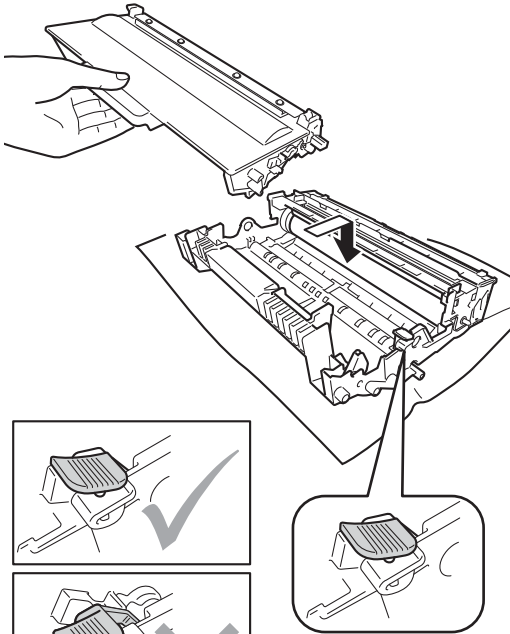


❗ Important

Put the toner cartridge in the drum unit immediately after you have removed the protective cover. To prevent any degradation to the print quality, **DO NOT** touch the shaded parts shown in the illustrations.

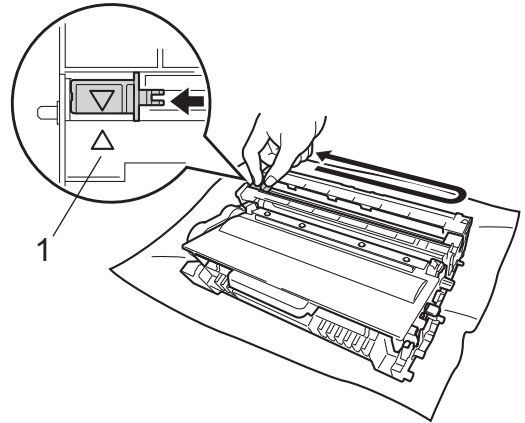


- 7 Put the new toner cartridge firmly into the drum unit until you hear it lock into place. If you put it in correctly, the green lock lever on the drum unit will lift automatically.



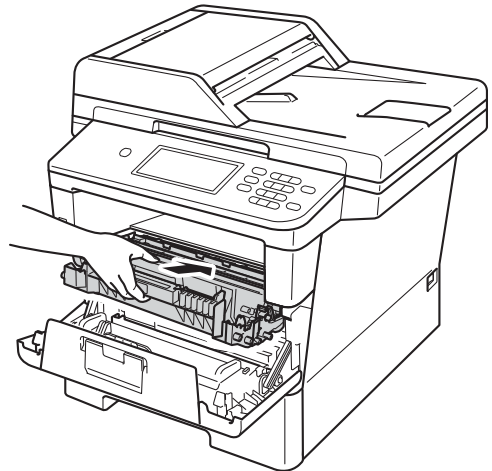
Note
Make sure that you put in the toner cartridge correctly or it may separate from the drum unit.

- 8 Clean the corona wire inside the drum unit by gently sliding the green tab from left to right and right to left several times.



Note
Be sure to return the tab to the home position (▲) (1). If you do not, printed pages may have a vertical stripe.

- 9 Put the drum unit and toner cartridge assembly back into the machine.



- 10 Close the front cover of the machine.



Note

After you replace a toner cartridge, DO NOT turn off the machine's power switch or open the front cover until the LCD clears the `Please Wait` message and returns to Ready mode.

Replacing the drum unit

Model name: DR-3300

A new drum unit can print approximately 30,000 A4 or Letter size single-sided pages.

Important

For best performance, use a Brother Original drum unit and Brother Original toner units. Printing with a third-party drum unit or toner unit may reduce not only the print quality but also the quality and life of the machine itself. Warranty coverage may not apply to problems caused by the use of a third-party drum or toner unit.

Drum Error

The corona wire has become dirty. Clean the corona wire in the drum unit. (See *Cleaning the corona wire* >> page 80.)

If you cleaned the corona wire and `Drum Error` was not cleared then the drum unit is at the end of its life. Replace the drum unit with a new one.

Replace Parts Drum Unit

The drum unit has exceeded its rated life. Please replace the drum unit with a new one. We recommend a Brother Original drum unit be installed at this time.

After replacement, reset the drum counter by following the instructions included with the new drum unit. (See *Resetting the drum counter* >> page 76.)

Drum Stop

We cannot guarantee the print quality. Please replace the drum unit with a new one. We recommend a Brother Original drum unit be installed at this time.

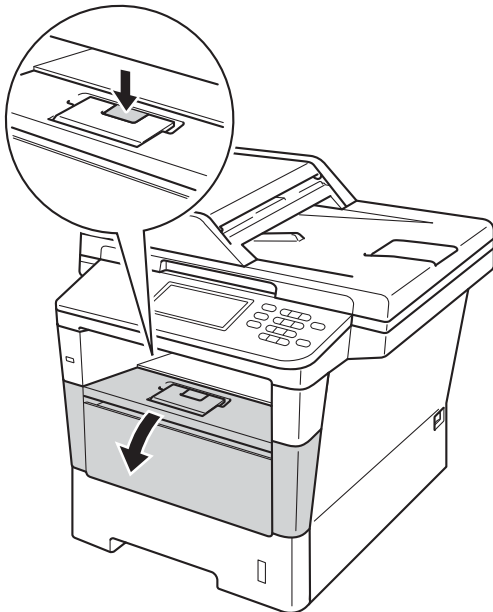
After replacement, reset the drum counter by following the instructions included with the new drum unit. (See *Resetting the drum counter* >> page 76.)

Replacing the drum unit

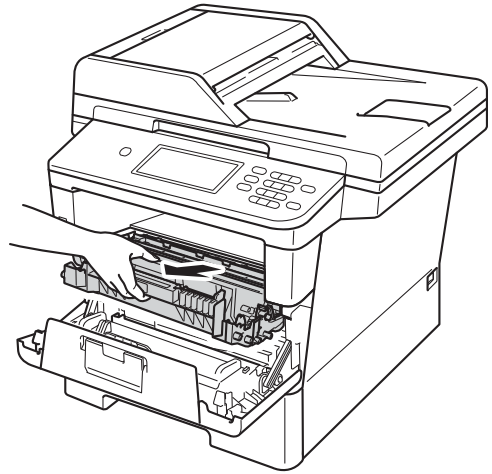
! Important

- While removing the drum unit, handle it carefully because it may contain toner. If toner scatters on your hands or clothes, wipe or wash it off with cold water at once.
- Every time you replace the drum unit, clean the inside of the machine. (See *Cleaning and Checking the machine* >> page 77.)
- Wait to unpack the new drum unit immediately before you put it in the machine. Exposure to direct sunlight or room light may damage the drum unit.

- 1 Leave the machine turned on for 10 minutes for the internal fan to cool the extremely hot parts inside the machine.
- 2 Press the front cover release button and then open the front cover.



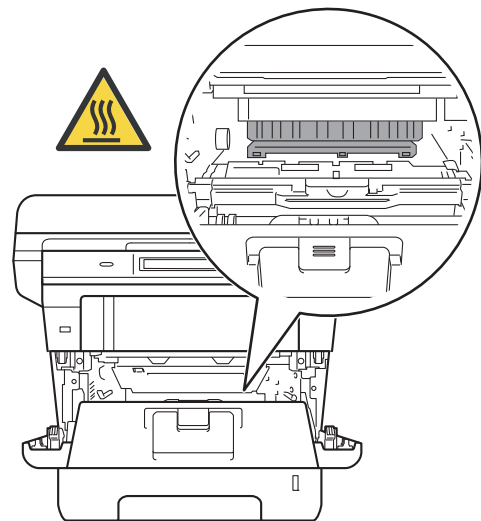
- 3 Take out the drum unit and toner cartridge assembly.



! WARNING

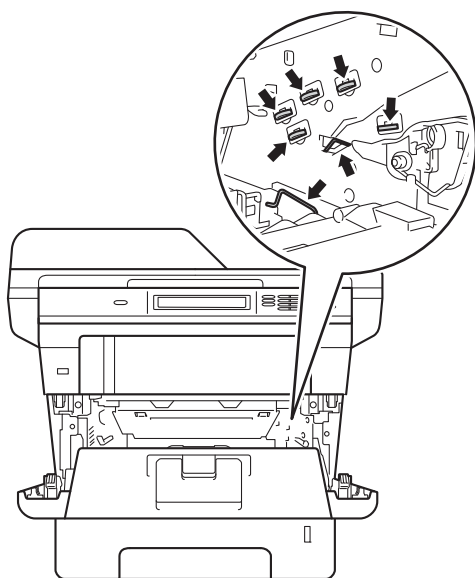
! HOT SURFACE

After you have just used the machine, some internal parts of the machine will be extremely hot. Wait for the machine to cool down before you touch the internal parts of the machine.

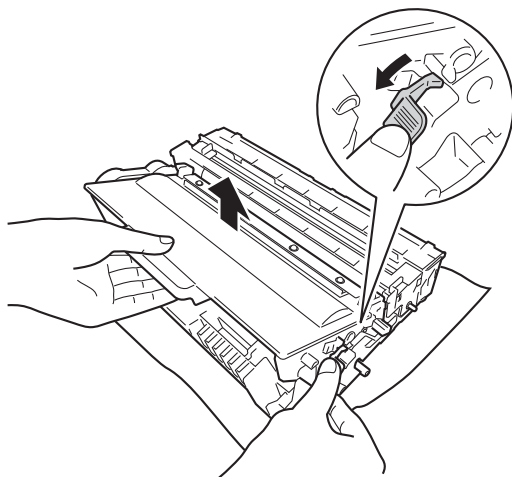


! Important

- We recommend that you place the drum unit and toner cartridge assembly on a clean, flat surface with a piece of disposable paper underneath it in case you accidentally spill or scatter toner.
- To prevent damage to the machine from static electricity, DO NOT touch the electrodes shown in the illustration.



- 4 Push down the green lock lever and take the toner cartridge out of the drum unit.



! WARNING



- DO NOT put a toner cartridge or a toner cartridge and drum unit assembly into a fire. It could explode, resulting in injuries.
- DO NOT use flammable substances, any type of spray, or an organic solvent/liquid containing alcohol or ammonia to clean the inside or outside of the product. Doing so could cause a fire or electrical shock. Instead, use only a dry, lint-free cloth.

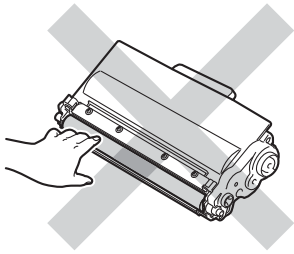
(>> Product Safety Guide: *General precautions*)



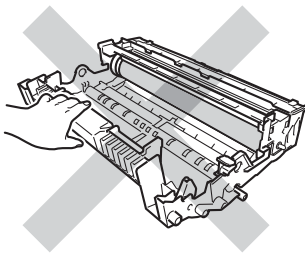
! Important

- Handle the toner cartridge carefully. If toner scatters on your hands or clothes, immediately wipe or wash it off with cold water.
- To avoid print quality problems, DO NOT touch the shaded parts shown in the illustrations.

<Toner cartridge>



<Drum unit>



- We recommend that you place the toner cartridge on a clean, flat, level, stable surface with a sheet of disposable paper or cloth underneath it in case you accidentally spill or scatter toner.

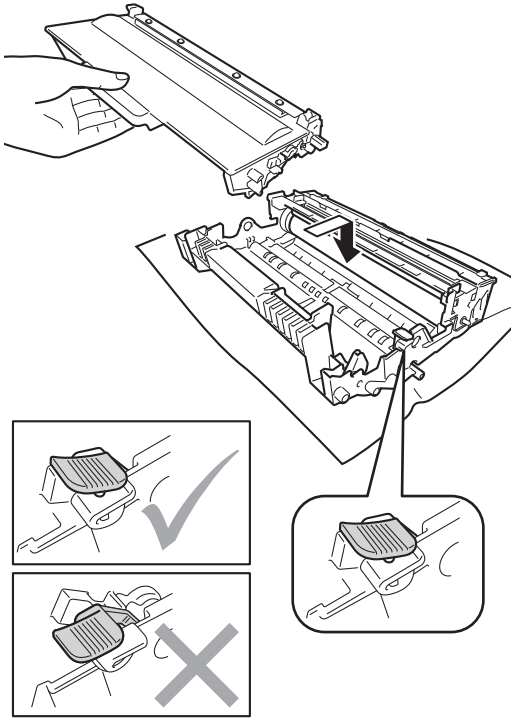


Note

- Be sure to seal up the used drum unit tightly in a suitable bag so that toner powder does not spill out of the drum unit.
- Go to <http://www.brother.com/original/index.html> for instructions on how to return your used consumable items to the Brother recycling program. If you choose not to return your used items, please discard the used consumable according to local regulations, keeping it separate from domestic waste. If you have questions, call your local waste disposal office.
(>> Product Safety Guide: *Recycling information in accordance with the WEEE (2002/96/EC) and Battery (2006/66/EC) Directives*)

5. Unpack the new drum unit.

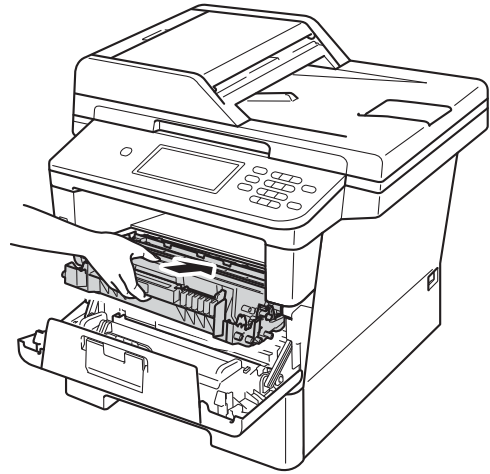
- 6 Put the toner cartridge firmly into the new drum unit until you hear it lock into place. If you put the cartridge in correctly, the green lock lever will lift automatically.



Note

Make sure that you put in the toner cartridge correctly or it may separate from the drum unit.

- 7 Put the drum unit and toner cartridge assembly back into the machine.



- 8 Close the front cover of the machine.

Resetting the drum counter

When you replace the drum unit with a new one, you need to reset the drum counter by completing the following steps.

! Important

Do not reset the drum counter when you only replace the toner cartridge.

- 1 Press **Stop/Exit** to interrupt the error temporarily.
- 2 Press **Menu**.
- 3 Press **▲** or **▼** to display **Machine Info..**
Press **Machine Info..**
- 4 Press **Reset Menu**.
- 5 Press **Drum**.
- 6 The machine will display **Reset Drum?.**
- 7 Press **Yes**, and then press **Stop/Exit**.

Cleaning and Checking the machine

Clean the outside and inside of the machine regularly with a dry, lint-free cloth. When you replace the toner cartridge or the drum unit, make sure that you clean the inside of the machine. If printed pages are stained with toner, clean the inside of the machine with a dry, lint-free cloth.

WARNING



- DO NOT put a toner cartridge or a toner cartridge and drum unit assembly into a fire. It could explode, resulting in injuries.
- DO NOT use flammable substances, any type of spray, or an organic solvent/liquid containing alcohol or ammonia to clean the inside or outside of the product. Doing so could cause a fire or electrical shock. Instead, use only a dry, lint-free cloth.

(>> Product Safety Guide: *General precautions*)

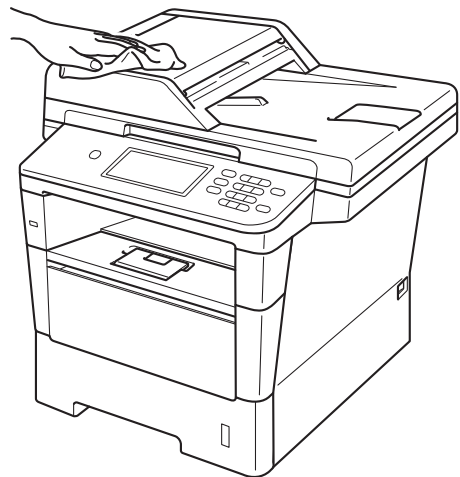


Important

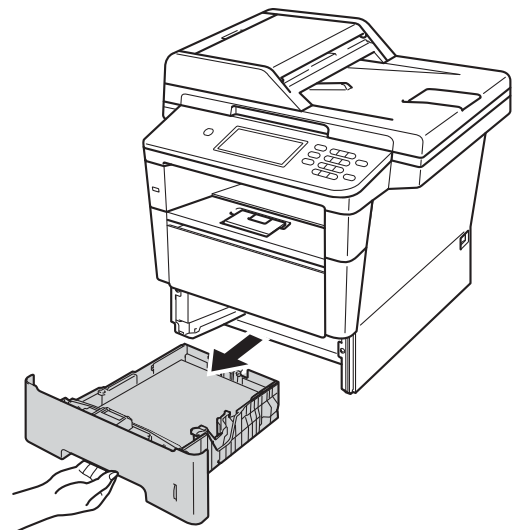
Use neutral detergents. Cleaning with volatile liquids such as thinner or benzine will damage the surface of the machine.

Cleaning the outside of the machine

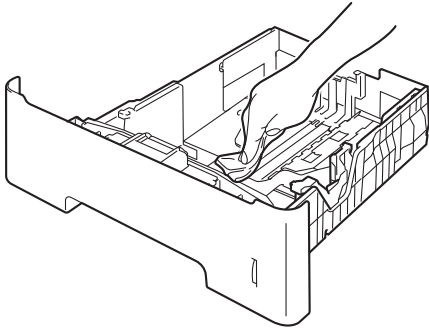
- 1 Turn off the machine.
- 2 Unplug the telephone line cord first, disconnect the interface cables from the machine, and then unplug the power cord from the electrical socket.
- 3 Wipe the outside of the machine with a dry, lint-free cloth to remove dust.



- 4 Pull the paper tray completely out of the machine.



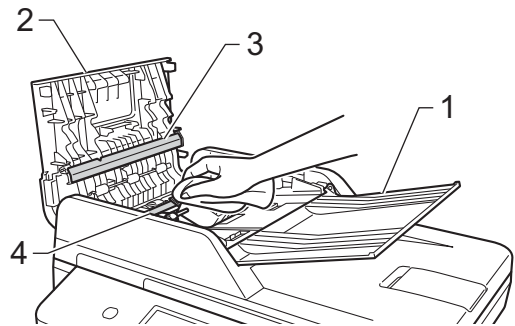
- 5 Remove anything that is stuck inside the paper tray.
- 6 If paper is loaded in the paper tray, remove it.
- 7 Wipe the inside and the outside of the paper tray with a dry, lint-free cloth to remove dust.



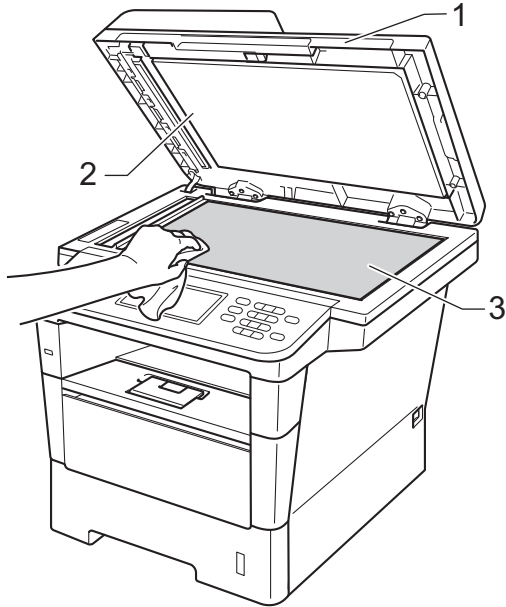
- 8 Re-load the paper and put the paper tray firmly back in the machine.
- 9 Plug the machine's power cord back into the electrical socket first, connect all cables, and then plug in the telephone line cord.
- 10 Turn on the machine.

Cleaning the scanner glass

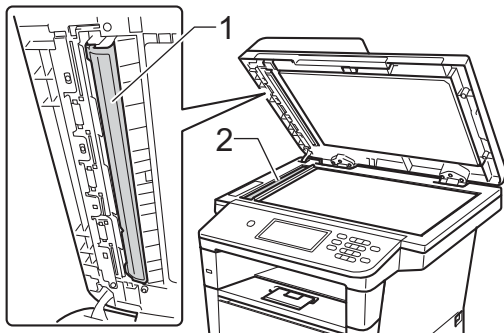
- 1 Turn off the machine.
- 2 Unplug the telephone line cord first, disconnect all cables, and then unplug the power cord from the electrical socket.
- 3 Unfold the ADF document support (1) and then open the ADF cover (2). Clean the white bar (3) and the scanner glass strip (4) underneath it with a soft lint-free cloth moistened with water. Close the ADF cover (2) and fold the ADF document support (1).



- 4 Lift the document cover (1). Clean the white plastic surface (2) and scanner glass (3) underneath it with a soft lint-free cloth moistened with water.



- 5 In the ADF unit, clean the white bar (1) and the scanner glass strip (2) underneath it with a soft lint-free cloth moistened with water.



Note

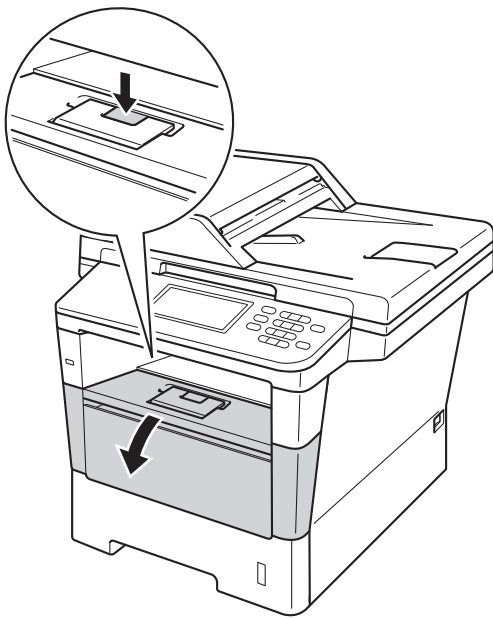
In addition to cleaning the scanner glass and glass strip with a soft lint-free cloth moistened with water, run your finger tip over the glass to see if you can feel anything on it. If you feel dirt or debris, clean the glass again concentrating on that area. You may need to repeat the cleaning process three or four times. To test, make a copy after each cleaning.

- 6 Close the document cover.
- 7 Plug the machine's power cord back into the electrical socket first, connect all cables, and then plug in the telephone line cord.
- 8 Turn on the machine.

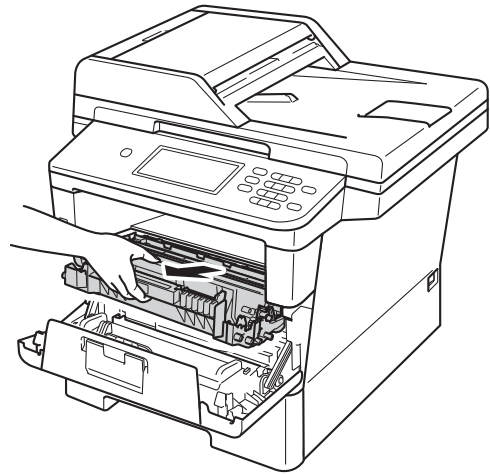
Cleaning the corona wire

If you have print quality problems or the LCD shows **Drum Error**, clean the corona wire as follows:

- 1 Leave the machine turned on for 10 minutes for the internal fan to cool the extremely hot parts inside the machine.
- 2 Press the front cover release button and then open the front cover.



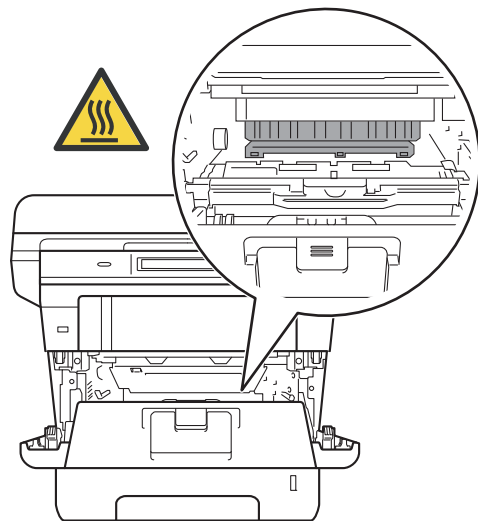
- 3 Take out the drum unit and toner cartridge assembly.



WARNING

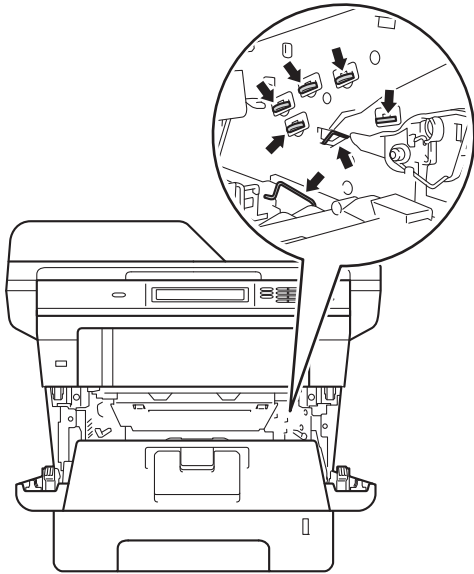
HOT SURFACE

After you have just used the machine, some internal parts of the machine will be extremely hot. Wait for the machine to cool down before you touch the internal parts of the machine.

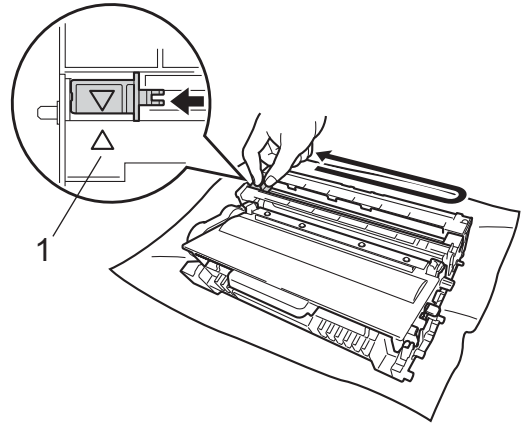


! Important

- We recommend that you put the drum unit and toner cartridge assembly on a piece of disposable paper or cloth in case you accidentally spill or scatter toner.
- Handle the drum unit and toner cartridge assembly carefully. If toner scatters on your hands or clothes, immediately wipe or wash it off with cold water.
- To prevent damage to the machine from static electricity, DO NOT touch the electrodes shown in the illustration.



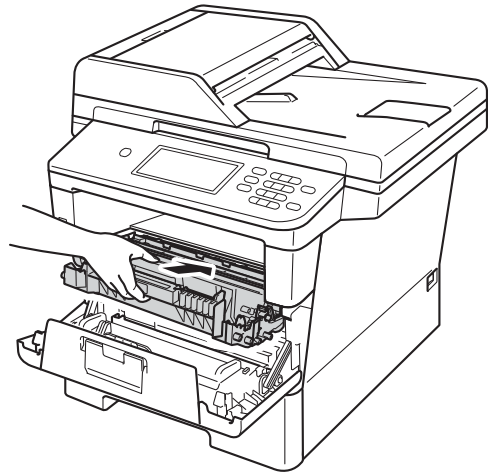
- 4 Clean the corona wire inside the drum unit by gently sliding the green tab from left to right and right to left several times.



Note

Be sure to return the tab to the home position (▲) (1). If you do not, printed pages may have a vertical stripe.

- 5 Put the drum unit and toner cartridge assembly back into the machine.



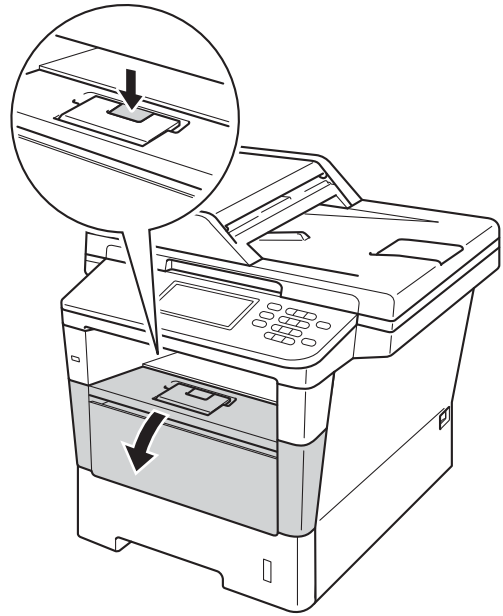
- 6 Close the front cover of the machine.

Cleaning the drum unit

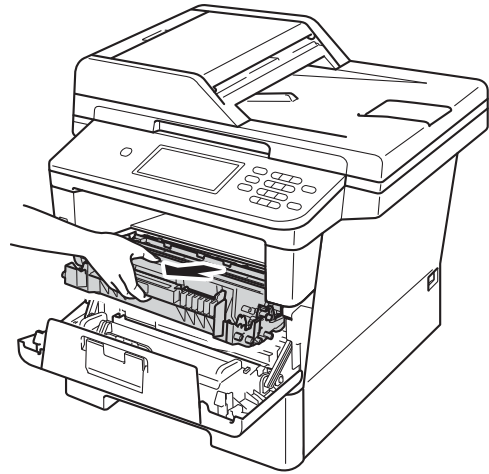
If your printout has dots at 94 mm intervals, follow the steps below to solve the problem.

- 1 Make sure that the machine is in the Ready mode.
- 2 Press **Menu**.
- 3 Press **▲** or **▼** to display **Print Reports**.
Press **Print Reports**.
- 4 Press **▲** or **▼** to display **Drum Dot Print**.
Press **Drum Dot Print**.
- 5 The machine will display **Press Start**.
Press **Start**.
- 6 The machine will print the Drum Dot test print. Then press **Stop/Exit**.
- 7 Leave the machine turned on for 10 minutes for the internal fan to cool the extremely hot parts inside the machine.
- 8 After the machine has cooled down, turn off the machine.

- 9 Press the front cover release button and then open the front cover.



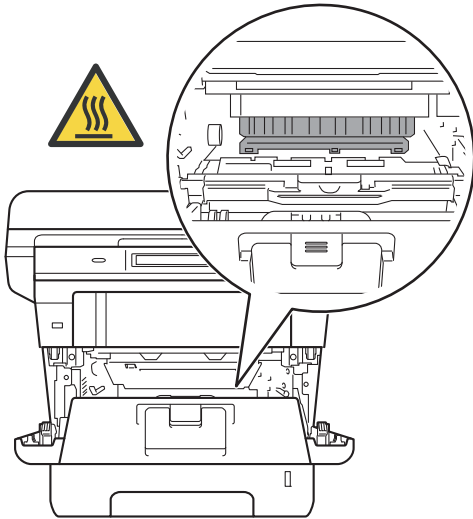
- 10 Take out the drum unit and toner cartridge assembly.



⚠ WARNING

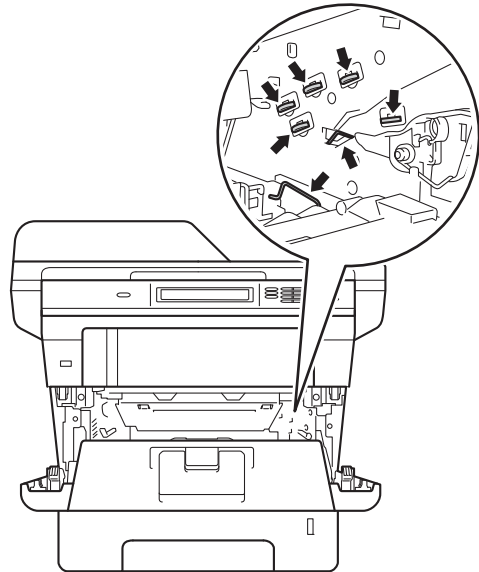
🔥 HOT SURFACE

After you have just used the machine, some internal parts of the machine will be extremely hot. Wait for the machine to cool down before you touch the internal parts of the machine.

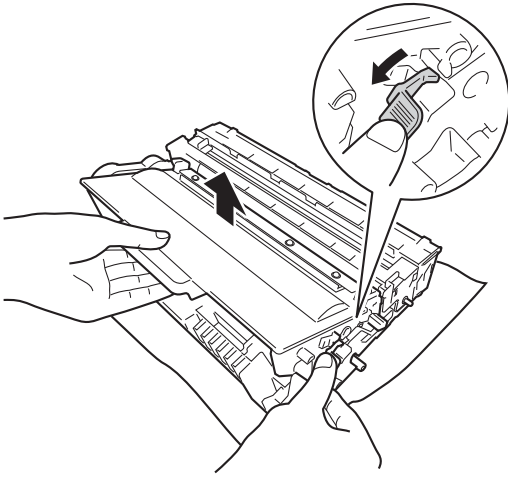


⚠ Important

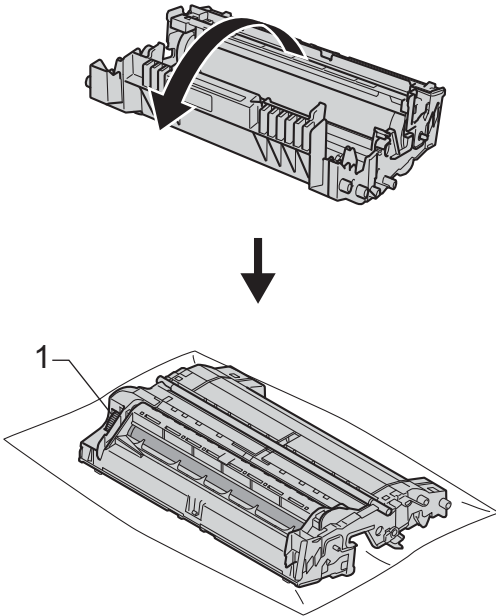
- We recommend that you put the drum unit and toner cartridge assembly on a piece of disposable paper or cloth in case you accidentally spill or scatter toner.
- Handle the drum unit and toner cartridge assembly carefully. If toner scatters on your hands or clothes, immediately wipe or wash it off with cold water.
- To prevent damage to the machine from static electricity, **DO NOT** touch the electrodes shown in the illustration.



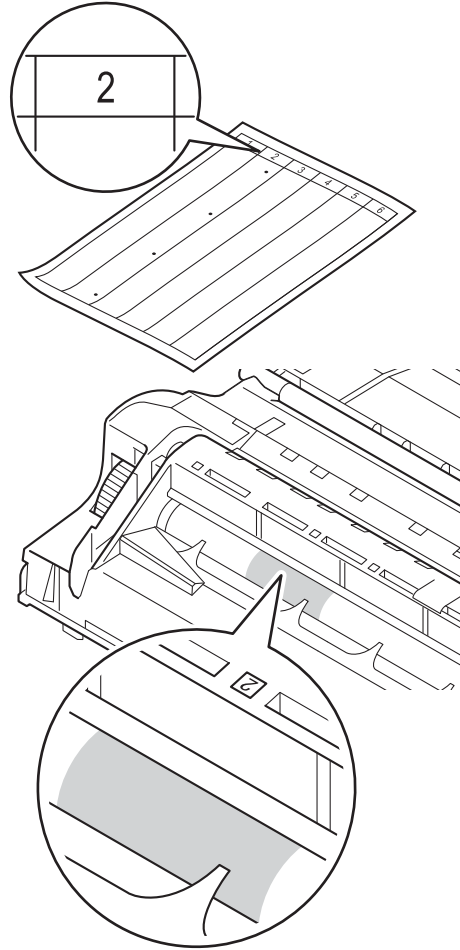
- 11 Push down the green lock lever and take the toner cartridge out of the drum unit.



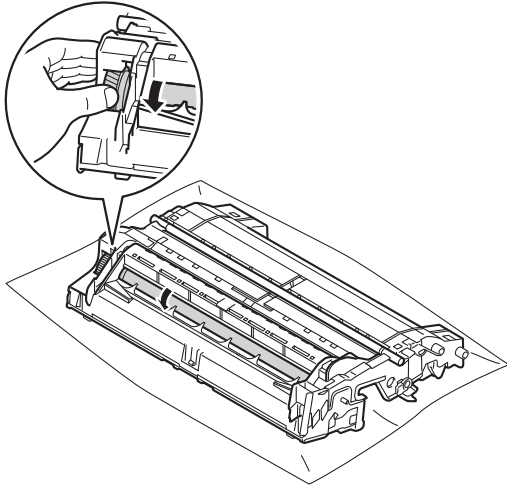
- 12 Turn the drum unit as shown in the illustration. Make sure that the drum unit gear (1) is on the left hand side.



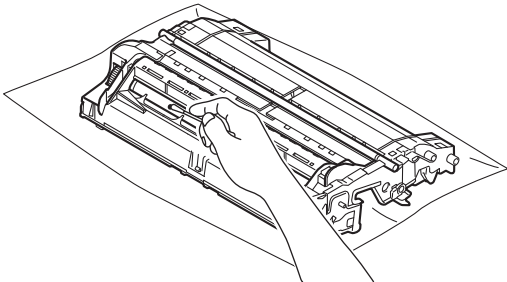
- 13 Use the numbered markers next to the drum roller to find the mark. For example, a dot in column 2 on the check sheet would mean that there is a mark in the "2" region of the drum.



- 14 Turn the drum unit gear toward you by hand while checking at surface of the suspected area.



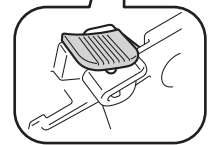
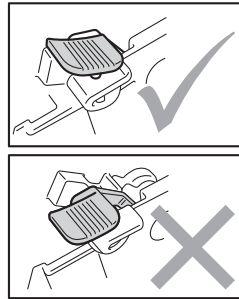
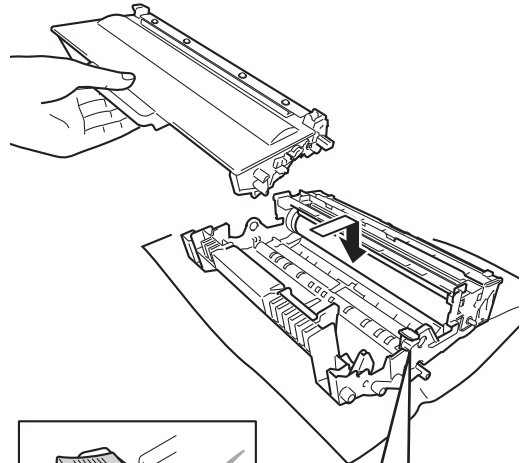
- 15 When you have found the mark on the drum that matches the drum dot check sheet, wipe the surface of the drum gently with a dry cotton swab until the mark on the surface comes off.



Important
DO NOT clean the surface of the photosensitive drum with a sharp object or any liquids.

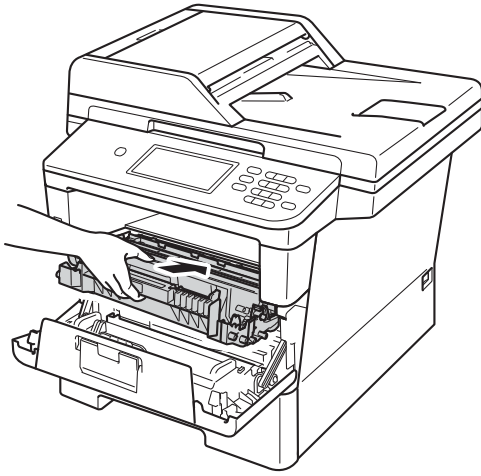
- 16 Turn the drum unit back over.

- 17 Put the toner cartridge back into the drum unit until you hear it lock into place. If you put the cartridge in correctly, the green lock lever on the drum unit will lift automatically.



Note
Make sure that you put in the toner cartridge correctly or it may separate from the drum unit.

- Put the drum unit and toner cartridge assembly back into the machine.



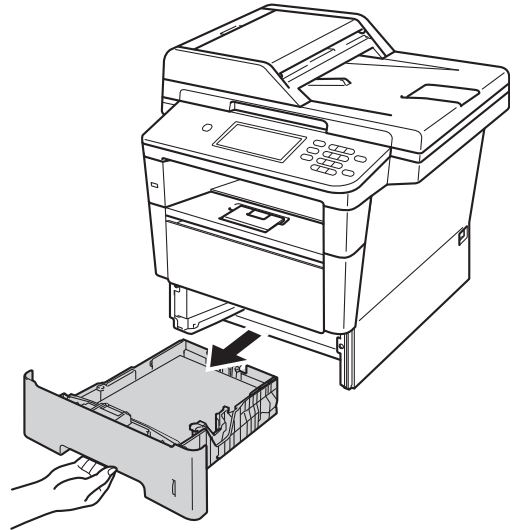
- Close the front cover of the machine.
- Turn on the machine and try a test print.

Cleaning the paper pick-up rollers

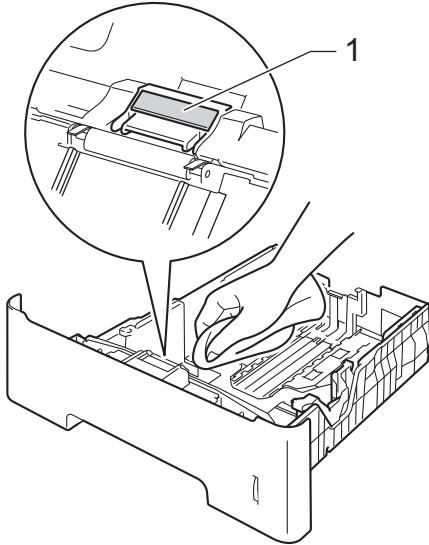
Cleaning the paper pick-up roller periodically may prevent paper jams by ensuring the correct feeding of the paper.

If you have paper feed problems, clean the pick-up rollers as follows:

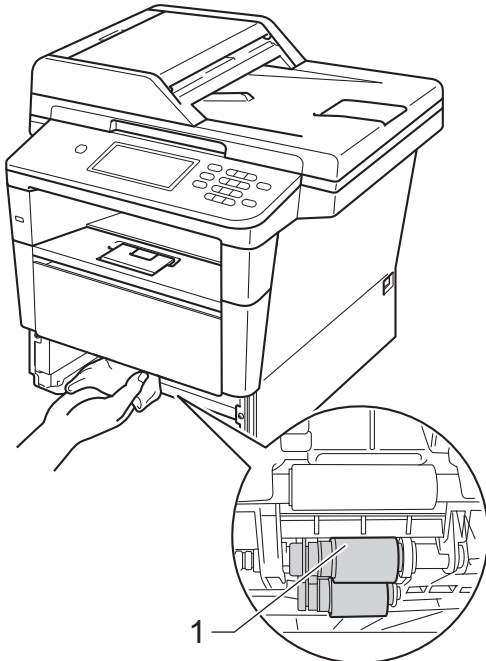
- Turn off the machine.
- Unplug the telephone line cord first, disconnect the interface cables from the machine, and then unplug the power cord from the electrical socket.
- Pull the paper tray completely out of the machine.



- 4 Tightly wring out a lint-free cloth soaked in lukewarm water, and then wipe the separator pad (1) on the paper tray to remove dust.



- 5 Wipe the two pick-up rollers (1) inside the machine to remove dust.



- 6 Put the paper tray back in the machine.

- 7 Plug the machine's power cord back into the electrical socket first, connect all cables, and then plug in the telephone line cord.

- 8 Turn on the machine.

B

Troubleshooting

If you think there is a problem with your machine, check each of the items below first and follow the troubleshooting tips.

You can correct most problems by yourself. If you need additional help, the Brother Solutions Center offers the latest FAQs and troubleshooting tips.

Visit us at <http://solutions.brother.com/>.

Identifying your problem

First, check the following:

- The machine's power cord is connected correctly and the machine's power switch is turned on. If the machine does not turn on after connecting the power cord, see *Other difficulties* >> page 120.
- All of the protective parts have been removed.
- Paper is inserted correctly in the paper tray.
- The interface cables are securely connected to the machine and the computer, or the wireless connection is set up on both the machine and your computer.
- LCD Messages
(See *Error and maintenance messages* >> page 90.)

If you did not solve your problem with the above checks, identify your problem and then go to the page suggested below.

Paper handling and Printing problems:

- *Printing difficulties* >> page 111
- *Paper handling difficulties* >> page 112
- *Printing received faxes* >> page 113

Telephone and Fax problems:

- *Telephone line or connections* >> page 114
- *Handling incoming calls* >> page 117
- *Receiving Faxes* >> page 115
- *Sending faxes* >> page 116

Copying problems:

- *Copying difficulties* >> page 117

Scanning problems:

- *Scanning difficulties* >> page 118

Software and Network problems:

- *Software difficulties* >> page 118
- *Network difficulties* >> page 119

Error and maintenance messages

As with any sophisticated office product, errors may occur and consumable items may need to be replaced. If this happens, your machine identifies the error or required routine maintenance and shows the appropriate message. The most common error and maintenance messages are shown below.

You can clear most errors and perform routine maintenance by yourself. If you need more help, the Brother Solutions Center offers the latest FAQs and troubleshooting tips:

Visit us at <http://solutions.brother.com/>.

Error Message	Cause	Action
Access Denied	The function you want to use is restricted by Secure Function Lock 2.0.	Contact your administrator to check your Secure Function Lock Settings.
Access Error	The device is removed from the USB direct interface while the data is processing.	Press Stop/Exit . Reinsert the device and try to print with Direct Print.
BT Call Sign On (U.K. only)	BT Call Sign is set to On. You cannot change the Receive Mode from Manual to another mode.	Set BT Call Sign to Off. (▶▶ Advanced User's Guide: <i>BT Call Sign (U.K. only)</i>)
Cartridge Error Put the Toner Cartridge back in.	The toner cartridge is not installed correctly.	Pull out the drum unit and toner cartridge assembly, take out the toner cartridge, and put it back into the drum unit again. Put the drum unit and toner cartridge assembly back in the machine.
Comm.Error	Poor telephone line quality caused a communication error.	Try sending the fax again or try connecting the machine to another telephone line. If the problem continues, call the telephone company and ask them to check your telephone line.
Connection Fail	You tried to poll a fax machine that is not in Polled Waiting mode.	Check the other fax machine's polling setup.
Cooling Down Wait for a while	The temperature of the drum unit or toner cartridge is too hot. The machine will pause its current print job and go into cooling down mode. During the cooling down mode, you will hear the cooling fan running while the LCD shows <i>Cooling Down, and Wait for a while</i> .	Make sure that you can hear the fan in the machine spinning and that the exhaust outlet is not blocked by something. If the fan is spinning, remove any obstacles that surround the exhaust outlet, and then leave the machine turned on but do not use it for several minutes. If the fan is not spinning, disconnect the machine from the power for several minutes, then reconnect it.
Cover is Open.	The front cover is not completely closed.	Close the front cover of the machine.

Error Message	Cause	Action
Cover is Open	The ADF cover is not completely closed.	Close the ADF cover of the machine.
	The ADF cover is open while loading a document.	Close the ADF cover of the machine, then press Stop/Exit .
	The fuser cover is not completely closed or paper was jammed in the back of the machine when you turned on the power.	<ul style="list-style-type: none"> ■ Close the fuser cover of the machine. ■ Make sure paper is not jammed behind the fuser cover at the back of the machine, then close the fuser cover and press Start. (See <i>Paper is jammed at the back of the machine</i> >> page 102.)
DIMM Error	<ul style="list-style-type: none"> ■ The DIMM is not installed correctly. ■ The DIMM is broken. ■ The DIMM does not meet the required specifications. 	<ul style="list-style-type: none"> ■ Turn off the machine and remove the DIMM. (>> <i>Advanced User's Guide: Installing extra memory</i>) ■ Confirm the DIMM meets the required specifications. (>> <i>Advanced User's Guide: Memory board</i>) ■ Re-install the DIMM correctly. Wait a few seconds, and then turn it on again. ■ If this error message appears again, replace the DIMM with a new one. (>> <i>Advanced User's Guide: Installing extra memory</i>)
Disconnected	The other person or other person's fax machine stopped the call.	Try to send or receive again.
Document Jam	The document was not inserted or fed correctly, or the document scanned from the ADF was too long.	See <i>Document is jammed in the top of the ADF unit</i> >> page 98 or <i>Using the automatic document feeder (ADF)</i> >> page 25.
Drum Error	The corona wire on the drum unit needs to be cleaned.	Clean the corona wire on the drum unit. (See <i>Cleaning the corona wire</i> >> page 80.)
	The toner cartridge is placed in the machine without the drum unit.	Put the toner cartridge into the drum unit, and then re-install the drum unit and toner cartridge assembly in the machine.
Drum Stop	It is time to replace the drum unit.	Replace the drum unit. (See <i>Replacing the drum unit</i> >> page 73.)
Duplex Disabled	The back of the machine is not closed completely.	Close the back cover of the machine.



Error Message	Cause	Action
Fuser Error	The temperature of the fuser unit does not rise to a specified temperature within the specified time.	Turn the power switch off, wait a few seconds, and then turn it on again. Leave the machine idle for 15 minutes with the power on.
	The fuser unit is too hot.	
Jam Duplex	The paper is jammed in the duplex tray or the fuser unit.	See <i>Paper is jammed in the duplex tray</i> >> page 109.
Jam Inside	The paper is jammed inside the machine.	See <i>Paper is jammed inside the machine</i> >> page 105.
	The toner cartridge is placed in the machine without the drum unit.	Put the toner cartridge into the drum unit, and then re-install the drum unit and toner cartridge assembly in the machine.
Jam MP	The paper is jammed in the MP tray of the machine.	See <i>Paper is jammed in the MP tray</i> >> page 100.
Jam Rear	The paper is jammed in the back of the machine.	See <i>Paper is jammed at the back of the machine</i> >> page 102.
Jam Tray 1 Jam Tray 2	The paper is jammed in the paper tray of the machine.	See <i>Paper is jammed in paper tray 1 or tray 2</i> >> page 101.
Limit Exceeded	The number of pages you are allowed to print has been exceeded. The print job will be cancelled.	Contact your administrator to check your Secure Function Lock Settings.
Log Access Error	The machine could not access the print log file in the server.	Contact your administrator to check the Store Print Log to Network settings. For detailed information >>> Network User's Guide: Store Print Log to Network
Manual Feed	Manual was selected as the paper source when there was no paper in the MP tray.	Place paper in the MP tray. If the machine is in Pause mode, press Start . (See <i>Loading paper in the multi-purpose tray (MP tray)</i> >> page 13.)
No HUB Support	A USB hub device is connected to the USB direct interface.	Disconnect the USB hub device from the USB direct interface.
No Paper	The machine is out of paper in the specified tray or all trays, or paper is not correctly loaded in the paper tray.	Do one of the following: <ul style="list-style-type: none"> ■ Refill paper in the paper tray shown on the LCD. Make sure the paper guides are set to the correct size. ■ Remove the paper and load it again. Make sure the paper guides are set to the correct size.
No Response/Busy	The number you dialled does not answer or is busy.	Verify the number and try again.

Error Message	Cause	Action
No Toner	The toner cartridge or the drum unit and toner cartridge assembly is not installed correctly.	<p>Remove the drum unit and toner cartridge assembly, remove the toner cartridge from the drum unit, and re-install the toner cartridge back into the drum unit again. Re-install the drum unit and toner cartridge assembly back in the machine. If the problem continues, replace the toner cartridge.</p> <p>(See <i>Replacing the toner cartridge</i> >> page 66.)</p>
No Tray	The standard paper tray is not installed or not installed correctly.	Re-install the standard paper tray.
Out of Memory	The machine's memory is full.	<p>Fax sending or copy operation in progress</p> <p>Do one of the following:</p> <ul style="list-style-type: none"> ■ Press Start to send or copy the scanned pages. ■ Press Stop/Exit and wait until the other operations in progress finish, and then try again. ■ Clear the faxes from the memory. <p>Print the faxes that are stored in the memory to restore the memory to 100%. Then turn off Fax Storage to avoid storing more faxes in the memory.</p> <p>(>> <i>Advanced User's Guide: Printing a fax from the memory and Fax Storage</i>)</p> <ul style="list-style-type: none"> ■ Add optional memory. <p>(>> <i>Advanced User's Guide: Memory board</i>)</p> <p>Print operation in process</p> <p>Do one of the following:</p> <ul style="list-style-type: none"> ■ Reduce the print resolution. <p>(>> <i>Software User's Guide: Printing (for Windows®) or Printing and Faxing (for Macintosh)</i>)</p> <ul style="list-style-type: none"> ■ Clear the faxes from the memory. <p>(See the above explanation.)</p> <ul style="list-style-type: none"> ■ Add more memory. <p>(>> <i>Advanced User's Guide: Memory board</i>)</p>

Error Message	Cause	Action
Out of Memory Secure Print Data is full. Press Stop Key and delete the previously stored data.	The machine's memory is full.	Press Stop/Exit and delete the previously stored secure print data.
Print Unable XX	The machine has a mechanical problem.	Do one of the following: <ul style="list-style-type: none"> ■ Turn the power switch off, wait a few minutes, and then turn it on again. (See <i>Transferring your faxes or Fax Journal report</i> >> page 97.) ■ If the problem continues, call Brother customer service for support.
Protected Device	The protect switch of the USB Flash memory drive is on.	Turn off the protect switch of the USB Flash memory drive.
Rename the File	There is already a file on the USB Flash memory drive with the same name as the file you are trying to save.	Change the file name of the file on the USB Flash memory drive or the file you are trying to save.
Replace Parts Drum Unit	It is time to replace the drum unit.	Replace the drum unit. (See <i>Replacing the drum unit</i> >> page 73.)
	The drum unit counter was not reset when a new drum was installed.	Reset the drum unit counter. (See <i>Replacing the drum unit</i> >> page 73.)
Replace Parts Fuser Unit	It is time to replace the fuser unit.	Call Brother Customer Service or a Brother Authorized Service Center to replace the fuser unit.
Replace Parts Laser Unit	It is time to replace the laser unit.	Call Brother Customer Service or a Brother Authorized Service Center to replace the laser unit.
Replace Parts PF Kit 1 PF Kit 2 PF Kit MP	It is time to replace the paper feeding kit.	Call Brother Customer Service or a Brother Authorized Service Center to replace the PF Kit.
Replace Toner	The toner cartridge is at the end of its life. The machine will stop all print operations. While memory is available, faxes will be stored in the memory.	Replace the toner cartridge. (See <i>Replacing the toner cartridge</i> >> page 66.)

Error Message	Cause	Action
Scan Unable XX	The machine has a mechanical problem.	<ul style="list-style-type: none"> ■ Turn the power switch off, and then turn it on again. (See <i>Transferring your faxes or Fax Journal report</i> >> page 97.) ■ If the problem continues, call Brother customer service for support.
	Document is too long for duplex scanning.	Press Stop/Exit . Use the suitable size of paper for duplex scanning. (See <i>Print media</i> >> page 174.)
Size Error	You can not use the paper size defined in the printer driver in this tray.	Choose a paper size which is supported by the tray shown on the LCD. (See <i>Paper Size and Type</i> >> page 17.)
Size Error DX	The paper size defined in the printer driver and the control panel menu is not available for automatic duplex printing.	Press Stop/Exit . Choose a paper size which is supported by the duplex tray. The paper size you can use for automatic duplex printing is A4.
	The paper in the tray is not correct size and is not the available for automatic duplex printing.	Load the correct size of paper in the tray and set the size of paper to the tray. (See <i>Paper Size and Type</i> >> page 17.) The paper size you can use for automatic duplex printing is A4.
Size mismatch	The paper in the tray is not the correct size.	Load the correct size of paper in the tray and set the size of paper to the tray. (See <i>Paper Size and Type</i> >> page 17.)
Toner Low	If the LCD shows Toner Low you can still print; however, the machine is telling you that the toner cartridge is near the end of its life.	Order a new toner cartridge now so a replacement toner cartridge will be available when the LCD shows Replace Toner .
Too Many Files	There are too many files stored on the USB Flash memory drive.	Reduce the number of files stored on the USB Flash memory drive.
Unusable Device Remove the Device. Turn the power off and back on again.	A defective USB device or a high power consumption USB device has been connected to the USB direct interface.	Unplug the device from the USB direct interface. Turn the machine off and then on again.
Unusable Device	A USB device or USB Flash memory drive that is not supported/is encrypted has been connected to the USB direct interface.	Unplug the device from the USB direct interface. (See the specifications for supported USB Flash memory drives in <i>Printing data from a USB Flash memory drive or digital camera supporting mass storage</i> >> page 54.)



Error Message	Cause	Action
Wrong Paper Size	The machine cannot find paper of the same size in any other tray after the tray currently in use has run out of paper during a copy operation.	Load the paper in the paper tray shown on the LCD.

Transferring your faxes or Fax Journal report

If the LCD shows:

- Print Unable XX
- Scan Unable XX

We recommend transferring your faxes to another fax machine or to your PC. (See *Transferring faxes to another fax machine* >> page 97 or *Transferring faxes to your PC* >> page 97.)

You can also transfer the Fax Journal report to see if there are any faxes you need to transfer. (See *Transferring the Fax Journal report to another fax machine* >> page 97.)



Note

If there is an error message on the machine's LCD, after the faxes have been transferred, disconnect the machine from the power source for several minutes, and then reconnect it.

Transferring faxes to another fax machine

If you have not set up your Station ID, you cannot enter fax transfer mode. (>> Quick Setup Guide: *Enter personal information (Station ID)*)

- 1 Press **Menu**.
- 2 Press **▲** or **▼** to display **Service**. Press **Service**.
- 3 Press **Data Transfer**.
- 4 Press **Fax Transfer**.
- 5 Do one of the following:
 - If the LCD shows **No Data**, there are no faxes left in the machine's memory. Press **Stop/Exit**.
 - Enter the fax number to which faxes will be forwarded.
- 6 Press **Start**.

Transferring faxes to your PC

You can transfer the faxes from your machine's memory to your PC.

- 1 Make sure that you have installed **MFL-Pro Suite** and then turn on **PC-Fax Receiving** on the PC. From the Windows® **Start** menu, select **All Programs, Brother, MFC-XXXX, PC-FAX Receiving**, and select **Receive**. (XXXX is your model name.)
- 2 Make sure that you have set **PC Fax Receive** on the machine. (See *PC-Fax Receive (For Windows® only)* >> page 36.) If faxes are in the machine's memory when you set up PC-Fax Receive, the LCD will ask if you want to transfer the faxes to your PC.
- 3 Do one of the following:
 - To transfer all faxes to your PC, press **Yes**. You will be asked if you want a backup print.
 - To exit and leave the faxes in the memory, press **No**.
- 4 Press **Stop/Exit**.

Transferring the Fax Journal report to another fax machine

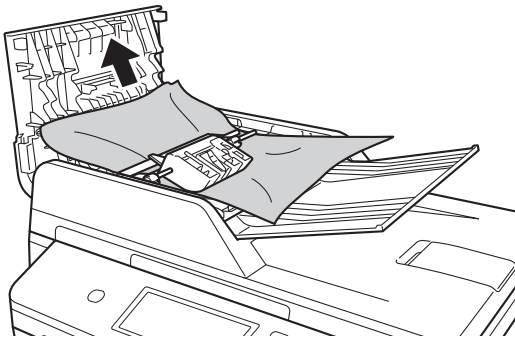
If you have not set up your Station ID, you cannot enter fax transfer mode. (>> Quick Setup Guide: *Enter personal information (Station ID)*)

- 1 Press **Menu**.
- 2 Press **▲** or **▼** to display **Service**. Press **Service**.
- 3 Press **Data Transfer**.
- 4 Press **Report Trans..**
- 5 Enter the fax number to which the Fax Journal report will be forwarded.
- 6 Press **Start**.

Document Jams

Document is jammed in the top of the ADF unit

- 1 Take out any paper from the ADF that is not jammed.
- 2 Open the ADF cover.
- 3 Pull the jammed document out to the left.



If the document rips or tears, be sure you remove all small paper scraps to prevent future jams.

- 4 Close the ADF cover.
- 5 Press **Stop/Exit**.

Document is jammed under the document cover

- 1 Take out any paper from the ADF that is not jammed.
- 2 Lift the document cover.
- 3 Pull the jammed document out to the right.

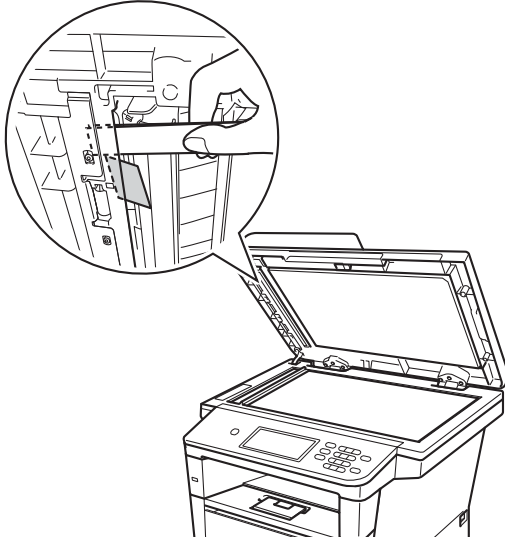


If the document rips or tears, be sure you remove all small paper scraps to prevent future jams.

- 4 Close the document cover.
- 5 Press **Stop/Exit**.

Removing small documents jammed in the ADF

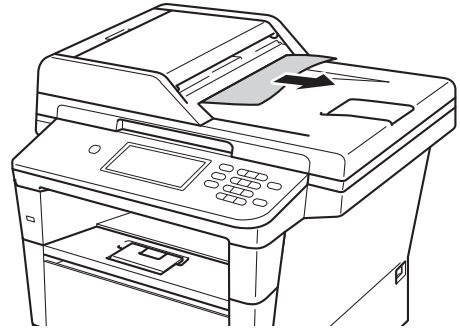
- 1 Lift the document cover.
- 2 Insert a piece of stiff paper, such as cardstock, into the ADF to push any small paper scraps through.



- 3 Close the document cover.
- 4 Press **Stop/Exit**.

Document is jammed at the output tray

- 1 Take out any paper from the ADF that is not jammed.
- 2 Pull the jammed document out to the right.



- 3 Press **Stop/Exit**.

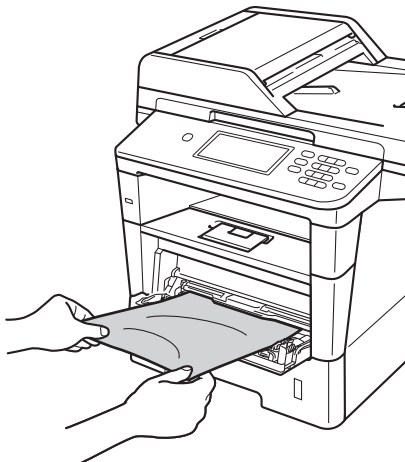
Paper Jams

Always remove all paper from the paper tray and straighten the stack when you add new paper. This helps prevent multiple sheets of paper from feeding through the machine at one time and prevents paper jams.

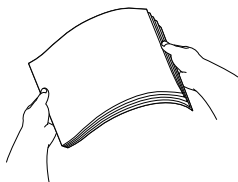
Paper is jammed in the MP tray

If the LCD shows **Jam MP**, follow these steps:

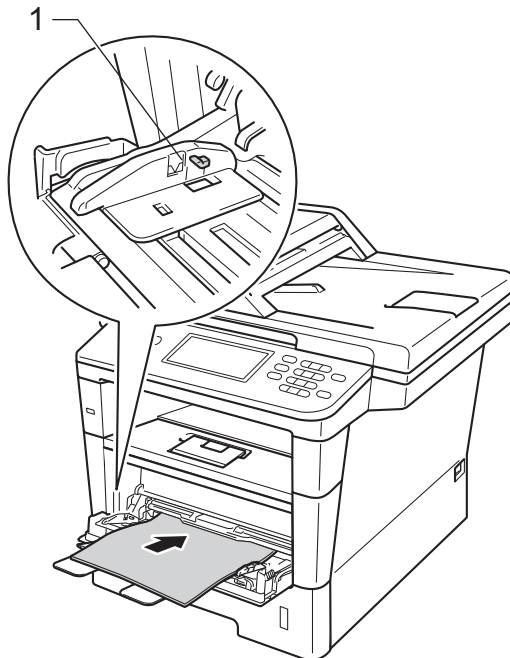
- 1 Remove the paper from the MP tray.
- 2 Remove any jammed paper from in and around the MP tray.



- 3 Fan the paper stack, and then put it back in the MP tray.



- 4 When loading paper in the MP tray, make sure that the paper stays under the maximum paper height guides (1) on both sides of the tray.



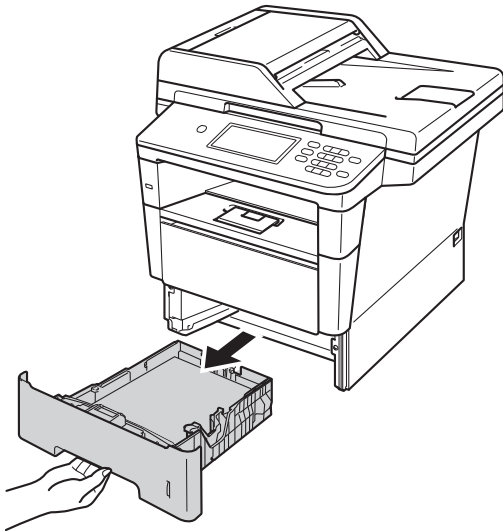
- 5 Press **Start** to resume printing.

Paper is jammed in paper tray 1 or tray 2

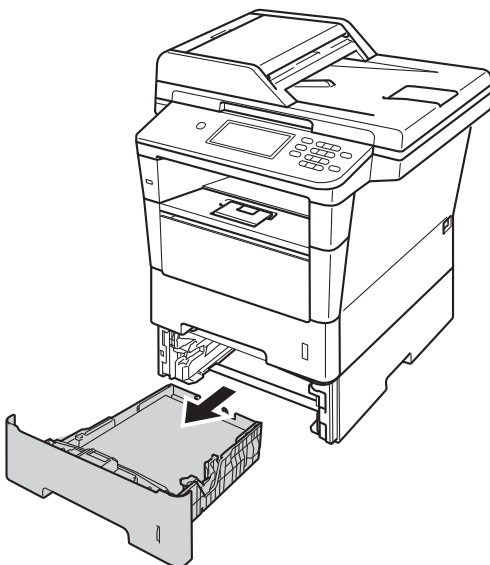
If the LCD shows Jam Tray 1 or Jam Tray 2, follow these steps:

- 1 Pull the paper tray completely out of the machine.

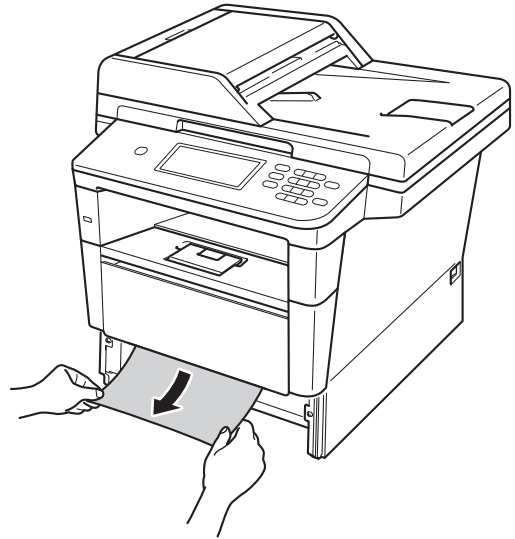
For Jam Tray 1:



For Jam Tray 2:



- 2 Use both hands to slowly pull out the jammed paper.



Note

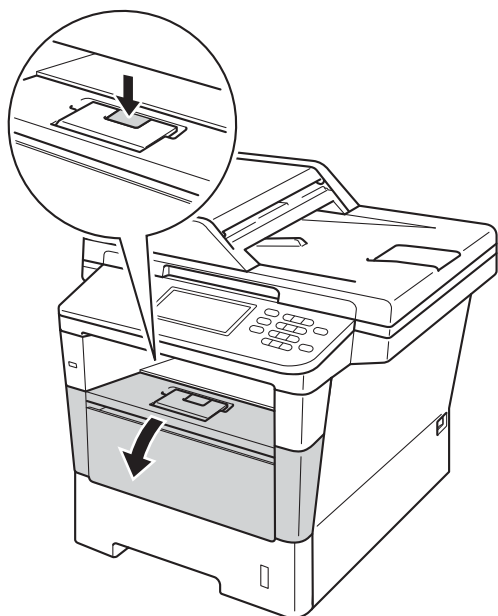
Pulling the jammed paper downward allows you to remove the paper easier.

- 3 Make sure that the paper is below the maximum paper mark (▼▼▼) in the paper tray. While pressing the green paper-guide release lever, slide the paper guides to fit the paper size. Make sure that the guides are firmly in the slots.
- 4 Put the paper tray firmly back in the machine.

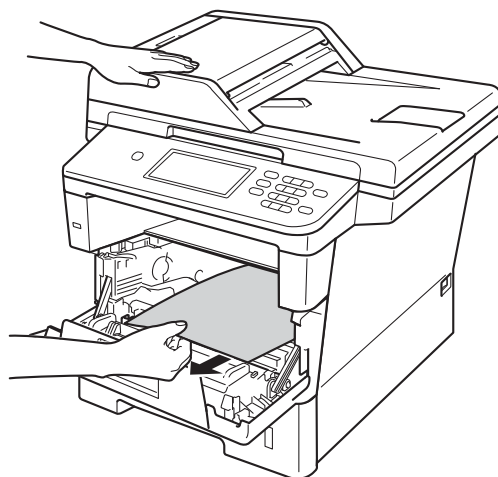
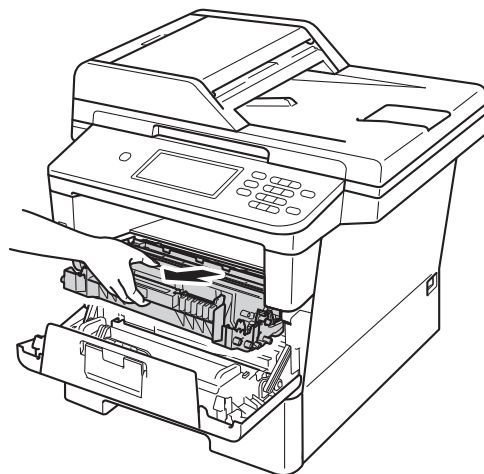
Paper is jammed at the back of the machine

If the LCD shows **Jam Rear**, a paper jam occurred behind the back cover. Follow these steps:

- 1 Leave the machine turned on for 10 minutes for the internal fan to cool the extremely hot parts inside the machine.
- 2 Press the front cover release button and then open the front cover.



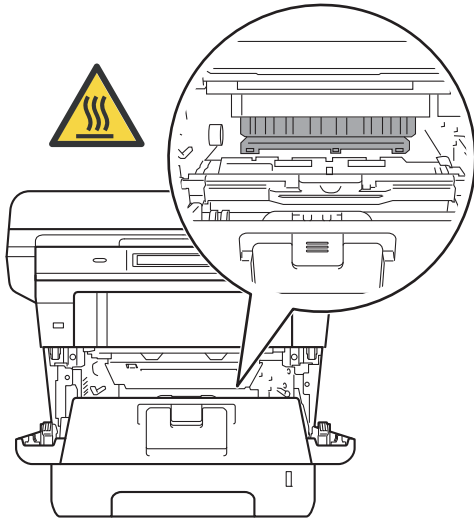
- 3 Slowly take out the drum unit and toner cartridge assembly. The jammed paper may be pulled out with the drum unit and toner cartridge assembly, or this may release the paper so you can pull it out from inside of the machine.



WARNING

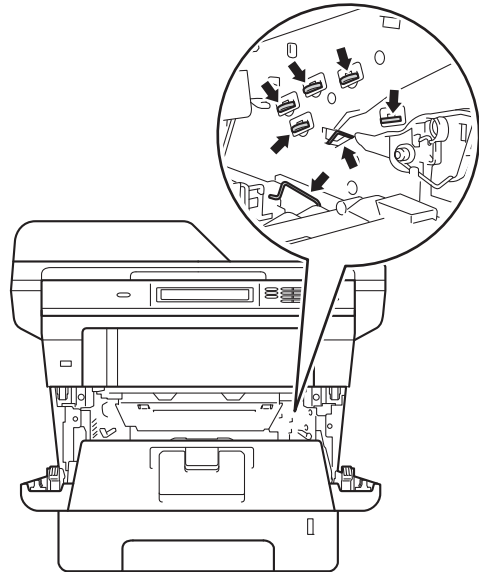
HOT SURFACE

After you have just used the machine, some internal parts of the machine will be extremely hot. Wait for the machine to cool down before you touch the internal parts of the machine.

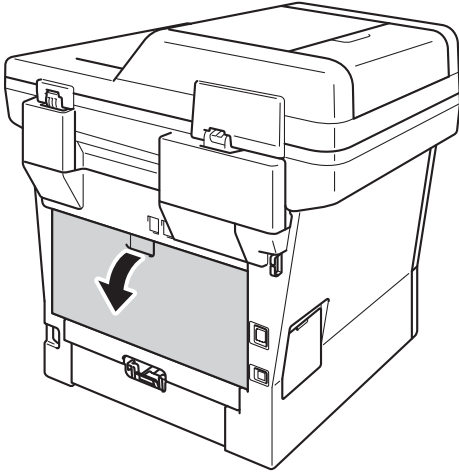


Important

- We recommend that you put the drum unit and toner cartridge assembly on a piece of disposable paper or cloth in case you accidentally spill or scatter toner.
- Handle the drum unit and toner cartridge assembly carefully. If toner scatters on your hands or clothes, immediately wipe or wash it off with cold water.
- To prevent damage to the machine from static electricity, **DO NOT** touch the electrodes shown in the illustration.



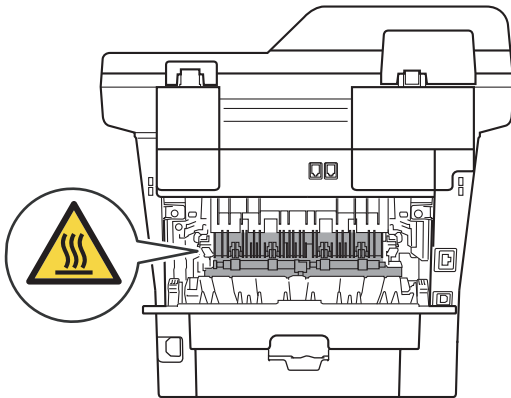
- 4 Open the back cover.



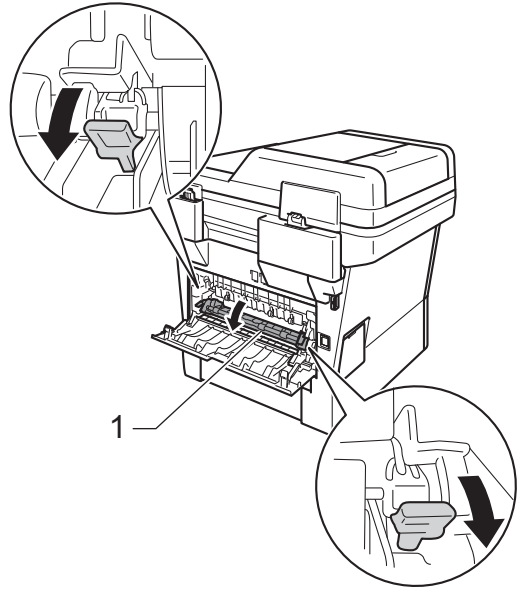
! WARNING

! HOT SURFACE

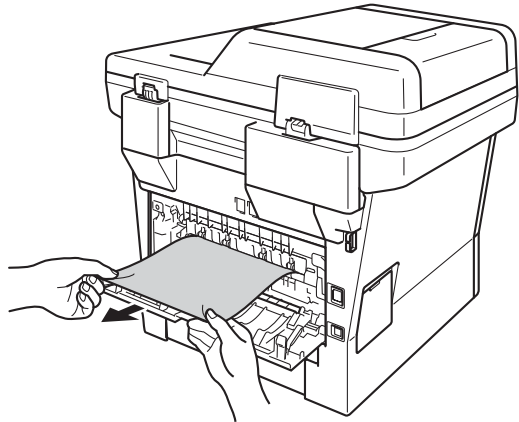
After you have just used the machine, some internal parts of the machine will be extremely hot. Wait for the machine to cool down before you touch the internal parts of the machine.



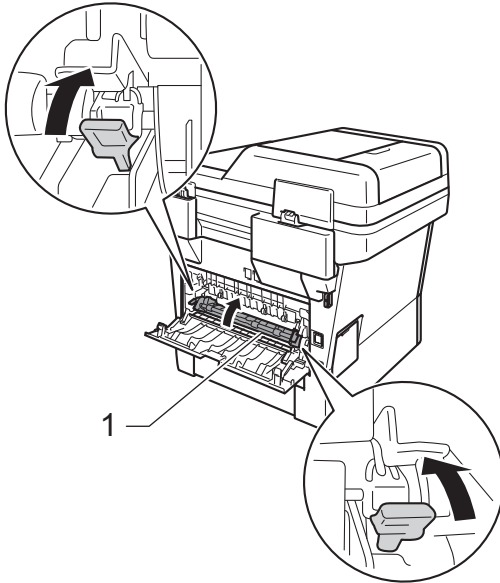
- 5 Pull the green tabs at the left and right hand sides toward you and fold down the fuser cover (1).



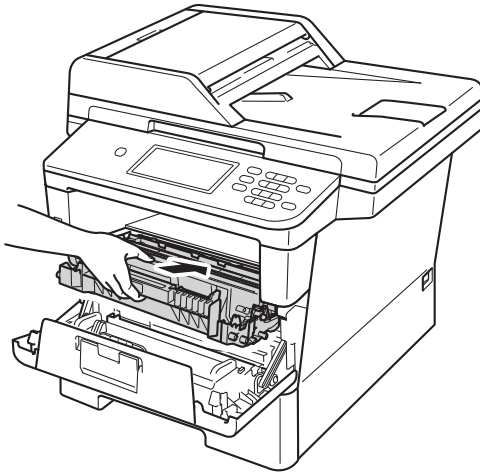
- 6 Using both hands, gently pull the jammed paper out of the fuser unit.



- 7 Close the fuser cover (1).



- 8 Close the back cover.
- 9 Put the drum unit and toner cartridge assembly back into the machine.

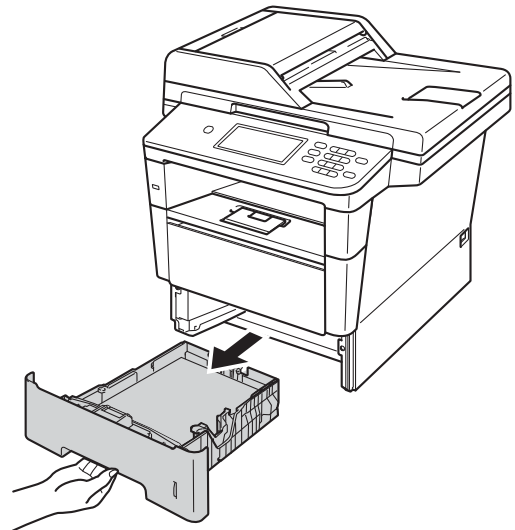


- 10 Close the front cover of the machine.

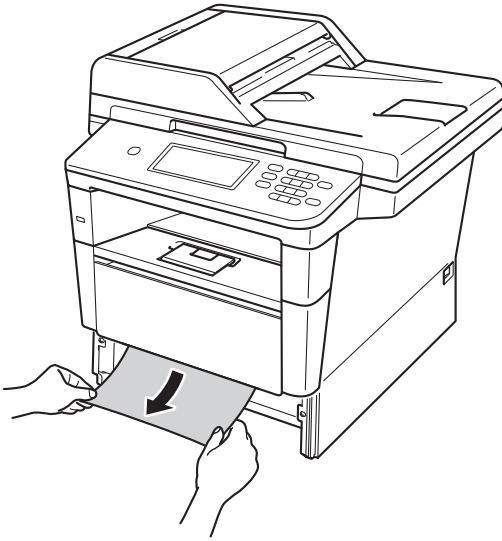
Paper is jammed inside the machine

If the LCD shows `Jam Inside`, follow these steps:

- 1 Leave the machine turned on for 10 minutes for the internal fan to cool the extremely hot parts inside the machine.
- 2 Pull the paper tray completely out of the machine.



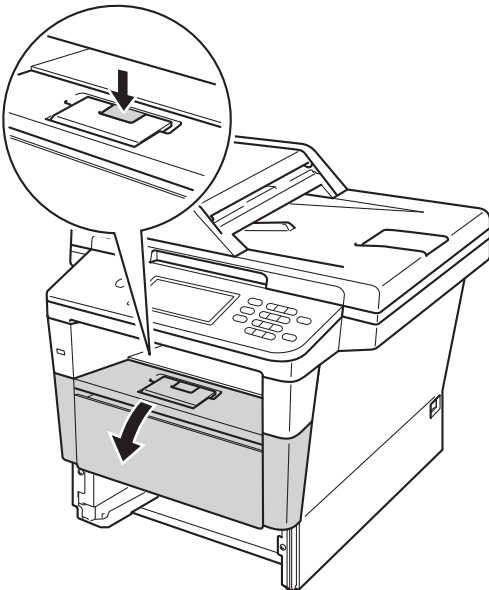
- 3 Use both hands to slowly pull out the jammed paper.



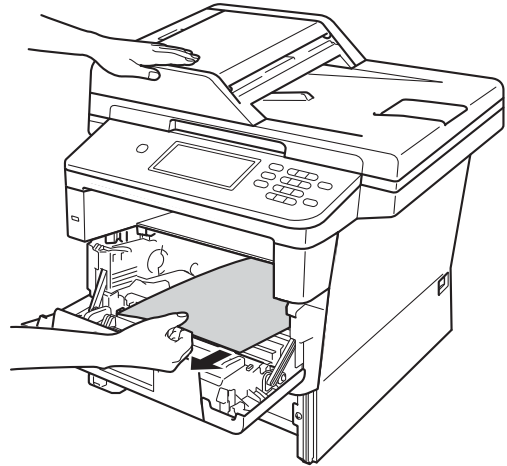
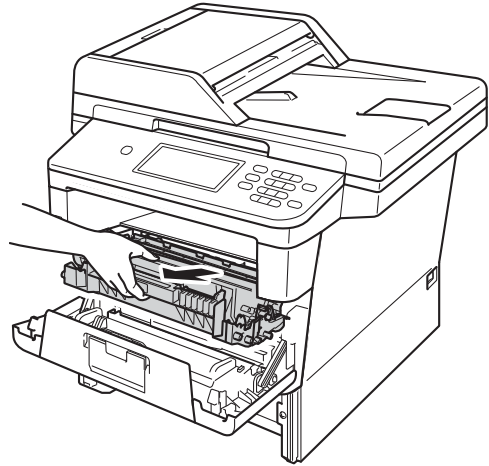
Note

Pulling the jammed paper downward allows you to remove the paper easier.

- 4 Press the front cover release button and then open the front cover.



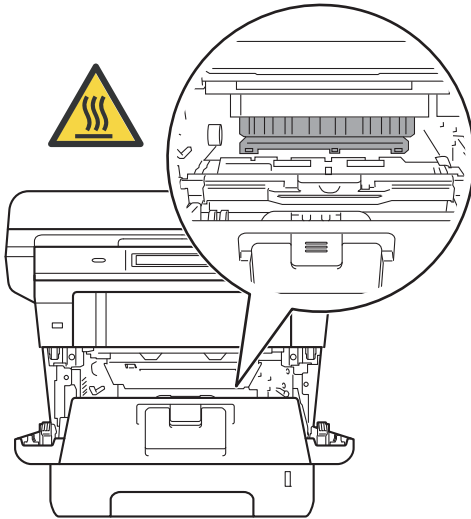
- 5 Slowly take out the drum unit and toner cartridge assembly. The jammed paper may be pulled out with the drum unit and toner cartridge assembly, or this may release the paper so you can pull it out from inside of the machine.



WARNING

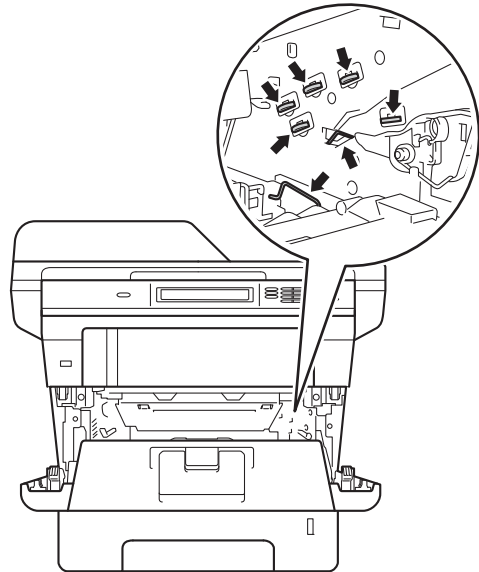
HOT SURFACE

After you have just used the machine, some internal parts of the machine will be extremely hot. Wait for the machine to cool down before you touch the internal parts of the machine.

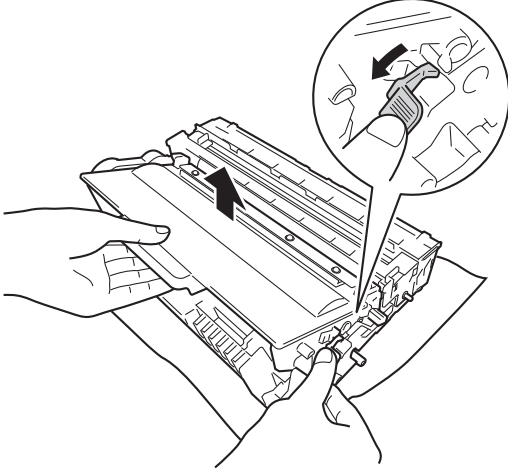


Important

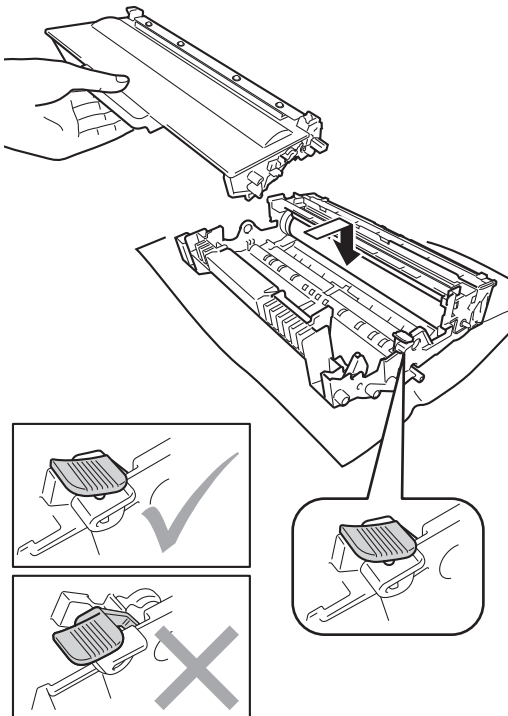
- We recommend that you put the drum unit and toner cartridge assembly on a piece of disposable paper or cloth in case you accidentally spill or scatter toner.
- Handle the drum unit and toner cartridge assembly carefully. If toner scatters on your hands or clothes, immediately wipe or wash it off with cold water.
- To prevent damage to the machine from static electricity, **DO NOT** touch the electrodes shown in the illustration.



- 6 Push down the green lock lever and take the toner cartridge out of the drum unit. Remove the jammed paper if there is any inside the drum unit.



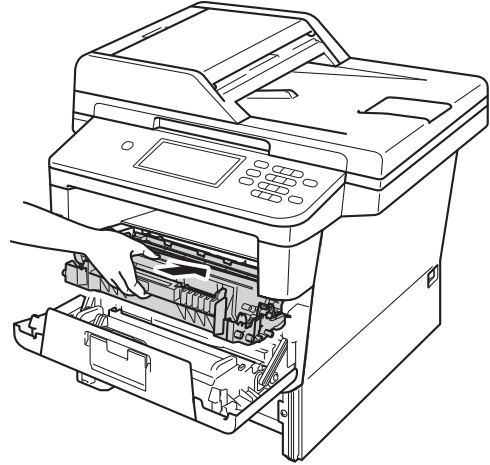
- 7 Put the toner cartridge back into the drum unit until you hear it lock into place. If you put the cartridge in correctly, the green lock lever on the drum unit will lift automatically.



 **Note**

Make sure that you put the toner cartridge in correctly or it may separate from the drum unit.

- 8 Put the drum unit and toner cartridge assembly back into the machine.



- 9 Close the front cover of the machine.
10 Put the paper tray firmly back in the machine.

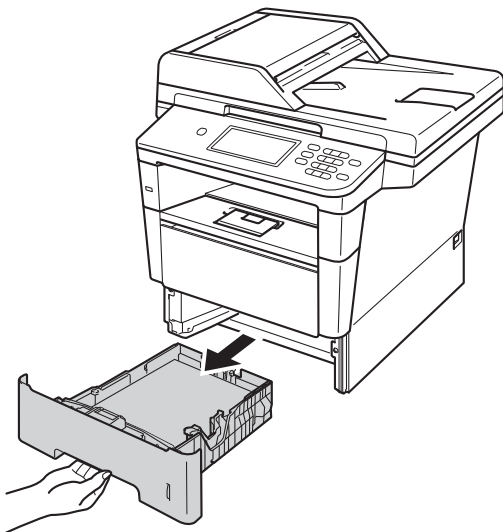
 **Note**

If you turn off the machine during Jam Inside, the machine will print incomplete data from your computer. Before you turn on the machine, delete the print spool job on your computer.

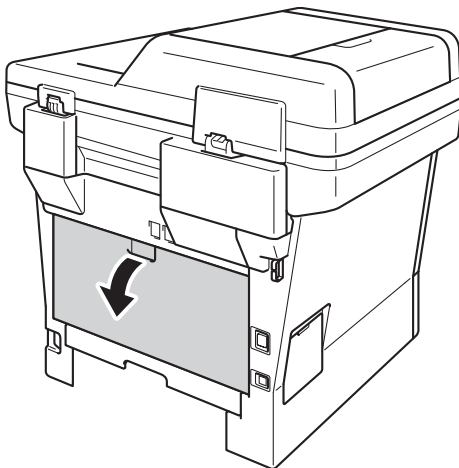
Paper is jammed in the duplex tray

If the LCD shows **Jam Duplex**, follow these steps:

- 1 Leave the machine turned on for 10 minutes for the internal fan to cool the extremely hot parts inside the machine.
- 2 Pull the paper tray completely out of the machine.



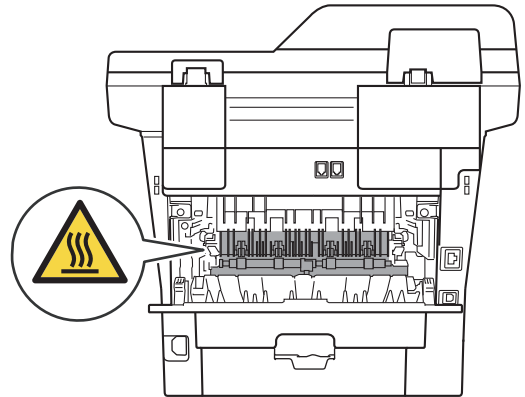
- 3 Open the back cover.



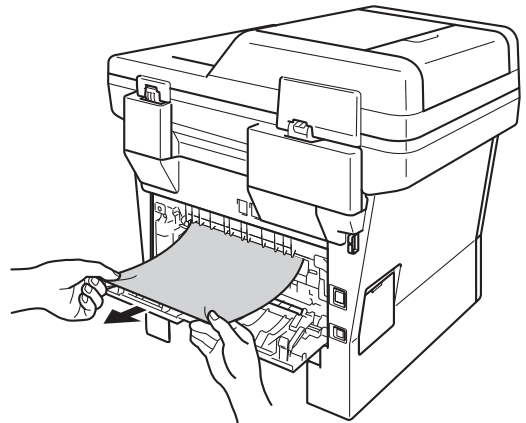
! WARNING

! HOT SURFACE

After you have just used the machine, some internal parts of the machine will be extremely hot. Wait for the machine to cool down before you touch the internal parts of the machine.

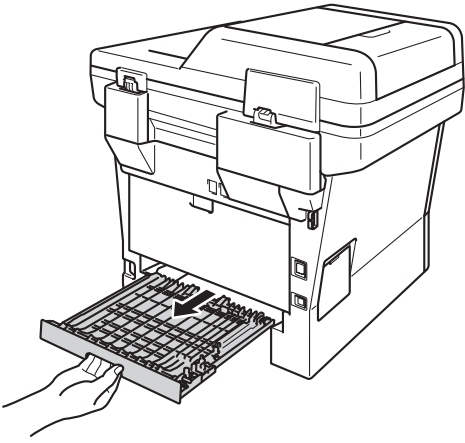


- 4 Using both hands, gently pull the jammed paper out of the back of the machine.

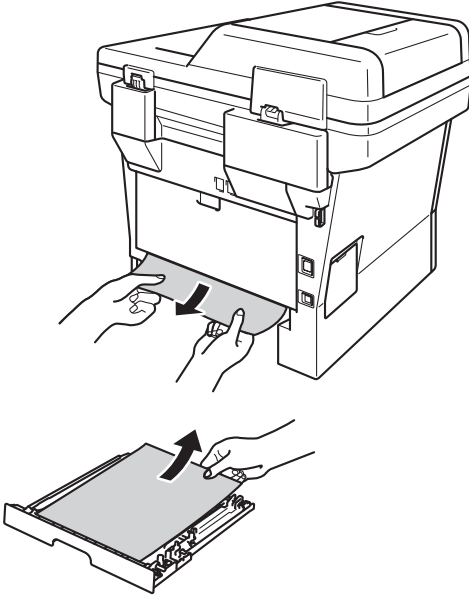


- 5 Close the back cover.

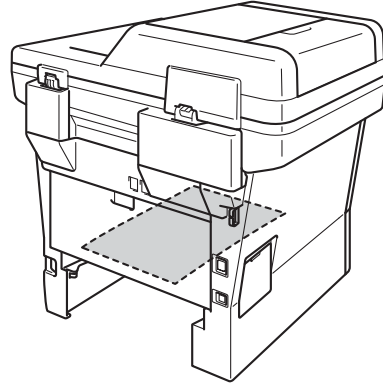
- 6 Pull the duplex tray completely out of the machine.



- 7 Pull the jammed paper out of the machine or out of the duplex tray.



- 8 Make sure that the jammed paper does not remain under the machine from static electricity.



- 9 Put the duplex tray back into the machine.

- 10 Put the paper tray firmly back into the machine.



If you are having difficulty with your machine

! Important

- For technical help, you must call the country where you bought the machine. Calls must be made from within that country.
- If you think there is a problem with your machine, check the chart below and follow the troubleshooting tips. You can correct most problems by yourself.
- If you need additional help, the Brother Solutions Center offers the latest FAQs and troubleshooting tips.

Visit us at <http://solutions.brother.com/>.

Printing difficulties

Difficulties	Suggestions
No printout.	Check that the correct printer driver has been installed and chosen.
	Check to see if the LCD is showing an error message. See <i>Error and maintenance messages</i> >> page 90.
	Check the machine is online: (Windows® 7 and Windows Server® 2008 R2) Click the  (Start) button and then Devices and Printers . Right-click Brother MFC-XXXX Printer and click See what's printing . Click Printer in the menu bar. Make sure that Use Printer Offline is unchecked. (Windows Vista® and Windows Server® 2008) Click the  (Start) button, Control Panel , Hardware and Sound , and then Printers . Right-click Brother MFC-XXXX Printer . Make sure that Use Printer Offline is unchecked. (Windows® XP and Windows Server® 2003) Click the Start button and choose Printers and Faxes . Right-click Brother MFC-XXXX Printer . Make sure that Use Printer Offline is unchecked.
	Contact your administrator to check your Secure Function Lock settings.
The machine is not printing or has stopped printing.	Press Stop/Exit . The machine will cancel the print job and clear it from the memory. The printout may be incomplete.
The headers or footers appear when the document displays on the screen but they do not show up when it is printed.	There is an unprintable area on the top and bottom of the page. Adjust the top and bottom margins in your document to allow for this. See <i>Unscannable and unprintable areas</i> >> page 16.
The machine prints unexpectedly or it prints garbage.	Press Stop/Exit to cancel print jobs.
	Check the settings in your application to make sure that it is set up to work with your machine.
The machine prints the first couple of pages correctly, then some pages have text missing.	Check the settings in your application to make sure that it is set up to work with your machine.
	Your computer is not recognising the machine's input buffer's full signal. Make sure that you connected the interface cable correctly. >> Quick Setup Guide

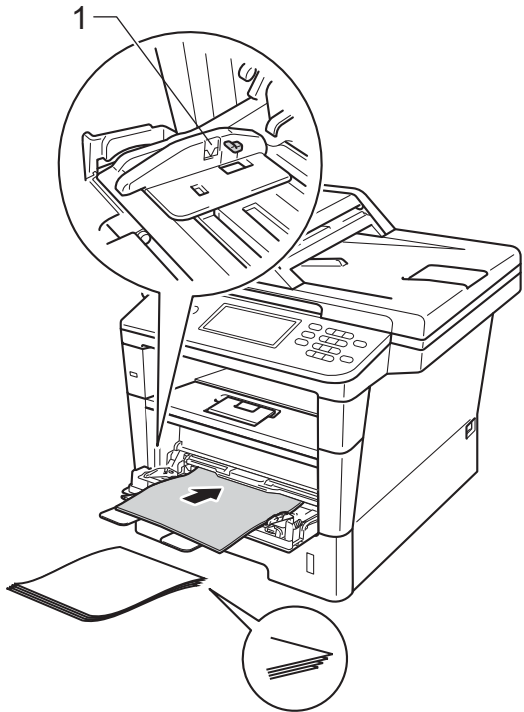
Printing difficulties (continued)

Difficulties	Suggestions
The machine does not print on both sides of the paper even though the printer driver setting is Duplex.	Check the paper size setting in the printer driver. You need to choose A4 (60 to 105 g/m) ² .
The machine does not change to Direct Print mode when a USB flash memory drive is connected to the USB direct interface.	When the machine is in Deep Sleep mode, the machine does not wake up even if you connect a USB flash memory drive to the USB direct interface. Press Stop/Exit to wake up the machine.
Cannot perform 'Page Layout' printing.	Check that the paper size setting in the application and in the printer driver are the same.
Print speed is too slow.	Try changing the printer driver setting. The highest resolution needs longer data processing, sending and printing time.
	Check that the back cover is firmly closed and the duplex tray is firmly installed.
	Add optional memory. >> Advanced User's Guide: <i>Installing extra memory</i>
The machine does not print from Adobe® Illustrator®.	Try to reduce the print resolution. >> Software User's Guide: <i>Printing</i> (for Windows®) >> Software User's Guide: <i>Printing and Faxing</i> (for Macintosh)
Poor print quality	See <i>Improving the print quality</i> >> page 122.

Paper handling difficulties

Difficulties	Suggestions
The machine does not feed paper.	If the LCD shows the Paper Jam message and you still have a problem, see <i>Error and maintenance messages</i> >> page 90.
	If there is no paper, load a new stack of paper into the paper tray.
	If there is paper in the paper tray, make sure it is straight. If the paper is curled, you should straighten it. Sometimes it is helpful to remove the paper, turn the stack over and put it back into the paper tray.
	Reduce the amount of paper in the paper tray, and then try again.
	Make sure that manual feed mode is not chosen in the printer driver.
	Clean the paper pick-up rollers. See <i>Cleaning the paper pick-up rollers</i> >> page 86.
The machine does not feed paper from the MP tray.	Make sure that MP Tray is chosen in the printer driver.
	Fan the paper well and put it back in the tray firmly.

Paper handling difficulties (continued)

Difficulties	Suggestions
<p>The machine does not feed paper from the MP Tray when using a large stack of paper.</p>	<p>Fan the paper well and make sure the paper is under the maximum paper mark (1). Stagger the pages and put them in the tray until you feel the top page touch the feed rollers as shown in the illustration.</p> 
<p>How do I print on envelopes?</p>	<p>You can load envelopes in the MP tray. Your application must be set up to print the envelope size you are using. This is usually done in the Page Setup or Document Setup menu of your application. (See your application's manual for more information.)</p>

Printing received faxes

Difficulties	Suggestions
<ul style="list-style-type: none"> ■ Condensed print ■ Horizontal streaks ■ Top and bottom sentences are cut off ■ Missing lines 	<p>Usually this is caused by a poor telephone connection. Make a copy; if your copy looks good, you probably had a bad connection, with static or interference on the telephone line. Ask the other party to send the fax again.</p>
<p>Vertical black lines when receiving</p>	<p>The corona wire for printing may be dirty. Clean the corona wire on the drum unit. See <i>Cleaning the corona wire</i> >> page 80.</p> <p>The sender's scanner may be dirty. Ask the sender to make a copy to see if the problem is with the sending machine. Try receiving from another fax machine.</p>

B

Printing received faxes (continued)

Difficulties	Suggestions
Received faxes appear as split or blank pages.	Left and right margins are cut off or a single page is printed on two pages. See <i>Paper Size and Type</i> >> page 17.
	Turn on Auto Reduction. >> Advanced User's Guide: <i>Printing a reduced incoming fax</i>

Telephone line or connections

Difficulties	Suggestions
Dialling does not work. (No dial tone)	Check all line cord connections. Make sure the telephone line cord is plugged into the telephone wall socket and the LINE socket of the machine.
	Change <i>Tone/Pulse</i> setting. >> Quick Setup Guide
	If an external phone is connected to the machine, send a manual fax by lifting the handset of the external telephone and dialling the number using the external telephone. Wait to hear the fax receiving tones before pressing Start .
	If there is no dial tone, connect a known working telephone and telephone line cord to the socket. Then lift the external telephone's handset and listen for a dial tone. If there is still no dial tone, ask your telephone company to check the line and/or wall socket.
The machine does not answer when called.	Make sure the machine is in the correct receive mode for your setup. See <i>Receive Mode settings</i> >> page 34. Check for a dial tone. If possible, call your machine to hear it answer. If there is still no answer, check the telephone line cord connection. If you do not hear ringing when you call your machine, ask your telephone company to check the line.

Receiving Faxes

Difficulties	Suggestions
<p>Cannot receive a fax.</p>	<p>Check all line cord connections. Make sure the telephone line cord is plugged into the telephone wall socket and the LINE socket of the machine. If you subscribe to DSL or VoIP services, please contact your service provider for connection instructions.</p>
	<p>Make sure the machine is in the correct Receive Mode. This is determined by the external devices and telephone subscriber services you have on the same line as the Brother machine.</p> <p>See <i>Receive Mode settings</i> >> page 34.</p> <ul style="list-style-type: none"> ■ If you have a dedicated fax line and want your Brother machine to automatically answer all incoming faxes, you should select Fax Only mode. ■ If your Brother machine shares a line with an external answering machine, you should select the External TAD mode. In External TAD mode, your Brother machine will automatically receive incoming faxes and voice callers will be able to leave a message on your answering machine. ■ If your Brother machine shares a line with other telephones and you want it to automatically answer all incoming faxes, you should select the Fax/Tel mode. In Fax/Tel mode, your Brother machine will automatically receive faxes and produce a fast double-ring to alert you to answer voice calls. ■ If you do not want your Brother machine to automatically answer any incoming faxes, you should select the Manual mode. In Manual mode, you must answer every incoming call and activate the machine to receive faxes.
	<p>Another device or service at your location may be answering the call before your Brother machine answers. To test this, lower the ring delay setting:</p> <ul style="list-style-type: none"> ■ If the answer mode is set to Fax Only or Fax/Tel, reduce the ring delay to 1 ring. <p>See <i>Ring Delay</i> >> page 34.</p> <ul style="list-style-type: none"> ■ If the answer mode is set to External TAD, reduce the number of rings programmed on your answering machine to 2. ■ If the answer mode is set to Manual, DO NOT adjust the ring delay setting.
	<p>Have someone send you a test fax:</p> <ul style="list-style-type: none"> ■ If you received the test fax successfully, your machine is operating correctly. Remember to reset your ring delay or answering machine setting back to your original setting. If receiving problems recur after resetting the ring delay, then a person, device, or subscriber service is answering the fax call before the machine has a chance to answer. ■ If you were not able to receive the fax, then another device or subscriber service may be interfering with your fax reception or there may be a problem with your fax line.

Receiving Faxes (continued)

Difficulties	Suggestions
Cannot receive a fax. (continued)	<p>If you are using a telephone answering machine (External TAD mode) on the same line as the Brother machine, make sure your answering machine is set up correctly.</p> <p>See <i>Connecting an external TAD</i> >> page 39.</p> <ol style="list-style-type: none"> 1 Connect the external TAD as shown in the illustration >>page 39. 2 Set your answering machine to answer in one or two rings. 3 Record the outgoing message on your answering machine. <ul style="list-style-type: none"> ■ Record five seconds of silence at the beginning of your outgoing message. ■ Limit your speaking to 20 seconds. ■ End your outgoing message with your Remote Activation Code for people sending manual faxes. For example: "After the beep, leave a message or press *51 and Start to send a fax." 4 Set your answering machine to answer calls. 5 Set your Brother machine's Receive Mode to External TAD. <p>See <i>Receive Mode settings</i> >> page 34.</p> <p>Make sure your Brother machine's Fax Detect feature is turned On. Fax Detect is a feature that allows you to receive a fax even if you have answered the call on an external or extension telephone.</p> <p>See <i>Fax Detect</i> >> page 35.</p> <p>If you often get transmission errors due to possible interference on the telephone line, try changing the Compatibility setting to Basic(for VoIP).</p> <p>See <i>Telephone line interference / VoIP</i> >> page 121.</p> <p>Contact your administrator to check your Secure Function Lock Settings.</p>

Sending faxes

Difficulties	Suggestions
Cannot send a fax.	<p>Check all line cord connections. Make sure the telephone line cord is plugged into the telephone wall socket and the LINE socket of the machine.</p> <p>Make sure that you pressed Fax and the machine is in Fax mode.</p> <p>See <i>How to send a fax</i> >> page 27.</p> <p>Print the Transmission Verification Report and check for an error.</p> <p>>> Advanced User's Guide: <i>Reports</i></p> <p>Contact your administrator to check your Secure Function Lock Settings.</p> <p>Ask the other party to check that the receiving machine has paper.</p>
Poor sending quality.	<p>Try changing your resolution to Fine or S.Fine. Make a copy to check your machine's scanner operation. If the copy quality is not good, clean the scanner.</p> <p>See <i>Cleaning the scanner glass</i> >> page 78.</p>

Sending faxes (continued)

Difficulties	Suggestions
Transmission Verification Report says <code>RESULT:ERROR</code> .	<p>There is probably temporary noise or static on the line. Try sending the fax again. If you are sending a PC-Fax message and get <code>RESULT:ERROR</code> on the Transmission Verification Report, your machine may be out of memory. To free up extra memory, you can turn off fax storage (▶▶ Advanced User's Guide: <i>Changing Remote Fax Options</i>), print fax messages in memory (▶▶ Advanced User's Guide: <i>Printing a fax from the memory</i>) or cancel a delayed fax or polling job (▶▶ Advanced User's Guide: <i>Checking and cancelling waiting jobs</i>). If the problem continues, ask the telephone company to check your telephone line.</p> <p>If you often get transmission errors due to possible interference on the telephone line, try changing the Compatibility setting to <code>Basic</code> (for VoIP).</p> <p>See <i>Telephone line interference / VoIP</i> ▶▶ page 121.</p>
Sent faxes are blank.	<p>Make sure you are loading the document correctly. When using the ADF, the document should be <i>face up</i>. When using the scanner glass, the document should be <i>face down</i>.</p> <p>See <i>Loading documents</i> ▶▶ page 25.</p>
Vertical black lines when sending.	<p>Black vertical lines on faxes you send are typically caused by dirt or correction fluid on the glass strip.</p> <p>See <i>Cleaning the scanner glass</i> ▶▶ page 78.</p>

Handling incoming calls

Difficulties	Suggestions
The machine 'Hears' a voice as a CNG Tone.	<p>If Fax Detect is set to On, your machine is more sensitive to sounds. It may mistakenly interpret certain voices or music on the line as a fax machine calling and respond with fax receiving tones. Deactivate the machine by pressing Stop/Exit. Try avoiding this problem by turning Fax Detect to Off.</p> <p>See <i>Fax Detect</i> ▶▶ page 35.</p>
Sending a Fax Call to the machine.	<p>If you answered on an external or extension telephone, press your Remote Activation Code (default setting is *51). When your machine answers, hang up.</p>
Custom features on a single line.	<p>If you have Call Waiting, Call Waiting/Caller ID, Caller ID, Voice Mail, an answering machine, an alarm system or other custom feature on a single telephone line with your machine, it may create a problem sending or receiving faxes.</p> <p>For Example: If you subscribe to Call Waiting or some other custom service and its signal comes through the line while your machine is sending or receiving a fax, the signal can temporarily interrupt or disrupt the faxes. Brother's ECM (Error Correction Mode) feature should help overcome this problem. This condition is related to the telephone system industry and is common to all devices that send and receive information on a single, shared line with custom features. If avoiding a slight interruption is crucial to your business, a separate line with no custom features is recommended.</p>

Copying difficulties

Difficulties	Suggestions
Cannot make a copy.	<p>Make sure that you pressed <code>Copy</code> and the machine is in Copy mode.</p> <p>See <i>How to copy</i> ▶▶ page 53.</p> <p>Contact your administrator to check your Secure Function Lock Settings.</p>

Copying difficulties (continued)

Difficulties	Suggestions
Vertical black line appears in copies.	Black vertical lines on copies are typically caused by dirt or correction fluid on the scanner glass, or the corona wire is dirty. Clean the glass strip and scanner glass and also the white bar and white plastic above them. See <i>Cleaning the scanner glass</i> >> page 78 and <i>Cleaning the corona wire</i> >> page 80.
Copies are blank.	Make sure you are loading the document correctly. See <i>Using the automatic document feeder (ADF)</i> >> page 25 or <i>Using the scanner glass</i> >> page 26.

Scanning difficulties

Difficulties	Suggestions
TWAIN or WIA errors appear when starting to scan. (Windows®)	Make sure the Brother TWAIN or WIA driver is chosen as the primary source in your scanning application. For example, in Nuance™ PaperPort™ 12SE, click Desktop, Scan Settings and click Select to choose the Brother TWAIN/WIA driver.
TWAIN or ICA errors appear when starting to scan. (Macintosh)	Make sure the Brother TWAIN driver is chosen as the primary source. In PageManager, click File, Select Source and choose the Brother TWAIN driver. Mac OS X 10.6.x and 10.7.x users can also scan documents using the ICA Scanner Driver >> Software User's Guide: <i>Scanning a document using the ICA driver (Mac OS X 10.6.x or greater)</i>
OCR does not work.	Try increasing the scanning resolution. (Macintosh users) Presto! PageManager must be downloaded and installed before use. For further instructions, see <i>Accessing Brother Support (Macintosh)</i> >> page 5.
Network scanning does not work.	See <i>Network difficulties</i> >> page 119.
Cannot scan.	Contact your administrator to check your Secure Function Lock Settings.

Software difficulties



Difficulties	Suggestions
Cannot install software or print.	(Windows® only) Run the Repair MFL-Pro Suite program on the CD-ROM. This program will repair and reinstall the software.

Network difficulties

Difficulties	Suggestions
Cannot print over a wired Network.	<p>Make sure your machine is powered on, is online and in the Ready mode. Print the Network Configuration Report to see your current Network settings.</p> <p>➤➤ <i>Advanced User's Guide: Reports</i></p> <p>Reconnect the LAN cable to the hub to verify that the cable and network connections are good. If possible, try connecting the machine to a different port on your hub using a different cable. You can check the current wired network status from the Network control panel menu.</p> <p>For more information on Network problems: ➤➤ <i>Network User's Guide</i></p>
The network scanning feature does not work.	<p>(Windows® and Macintosh)</p> <p>The network scanning feature may not work due to the firewall settings. Change or disable the firewall settings. It is necessary to set the third-party Security/Firewall Software to allow Network scanning. To add port 54925 for Network scanning, enter the information below:</p> <ul style="list-style-type: none"> ■ In Name: Enter any description, for example Brother NetScan. ■ In Port number: Enter 54925. ■ In Protocol: UDP is selected. <p>Please refer to the instruction manual that came with your third-party Security/Firewall Software or contact the software manufacturer.</p> <p>For more details, you can read FAQs and troubleshooting suggestions at http://solutions.brother.com/.</p> <p>(Macintosh)</p> <p>Re-select your machine in the Device Selector application located in Macintosh HD/Library/Printers/Brother/Utilities/DeviceSelector or from the model list in ControlCenter2.</p>
The network PC-Fax Receive feature does not work.	<p>(Windows® only)</p> <p>It is necessary to set the third-party Security/Firewall Software to allow PC-FAX Rx. To add port 54926 for Network PC-FAX Rx, enter the information below:</p> <ul style="list-style-type: none"> ■ In Name: Enter any description, for example Brother PC-FAX Rx. ■ In Port number: Enter 54926. ■ In Protocol: UDP is selected. <p>Please refer to the instruction manual that came with your third-party Security/Firewall Software or contact the software manufacturer.</p> <p>For more details, you can read FAQs and troubleshooting suggestions at http://solutions.brother.com/.</p>
The Brother software cannot be installed.	<p>(Windows®)</p> <p>If the Security Software warning appears on the PC screen during the installation, change the Security Software settings to permit the Brother product setup program or other program to run.</p> <p>(Macintosh)</p> <p>If you are using a firewall function of anti-spyware or antivirus security software, temporarily disable it and then install the Brother software.</p>
Cannot connect to wireless network.	<p>Investigate the problem using the WLAN Report. Press Menu, Print Reports, WLAN Report and then press Start.</p> <p>➤➤ <i>Quick Setup Guide</i></p>



Other difficulties

Difficulties	Suggestions
The machine will not turn on.	<p>Adverse conditions on the power connection (such as lightning or a power surge) may have triggered the machine's internal safety mechanisms. Turn the machine off and unplug the power cord. Wait for ten minutes, then plug in the power cord and turn the machine on.</p> <p>If the problem is not solved and you are using a power breaker, disconnect it to make sure it is not the problem. Plug the machine's power cord directly into a different known working wall electrical socket. If there is still no power, try a different power cable.</p>
The machine cannot print EPS data that includes binary with the BR-Script3 printer driver.	<p>(Windows®) You need the following settings to print EPS data:</p> <ol style="list-style-type: none"> 1 For Windows® 7 and Windows Server® 2008 R2: Click the  (Start) button and Devices and Printers. For Windows Vista® and Windows Server® 2008: Click the  (Start) button, Control Panel, Hardware and Sound, and then Printers. For Windows® XP and Windows Server® 2003: Click the Start button, and select Printers and Faxes. 2 Right-click the Brother MFC-XXXX BR-Script3 icon and select Properties¹. 3 From the Device Settings tab, choose TBCP (Tagged binary communication protocol) in Output Protocol. <p>(Macintosh) If your machine is connected to a PC with a USB interface, you cannot print EPS data that includes binary. You can print the EPS data at the machine through a network. For installing BR-Script3 printer driver through the network, visit the Brother Solutions Center at http://solutions.brother.com/.</p>

¹ For Windows® 7 and Windows Server® 2008 R2: **Printer properties**, and **Brother MFC-XXXX BR-Script3** if necessary

Setting Dial Tone detection

When you send a fax automatically, by default your machine will wait for a fixed amount of time before it starts to dial the number. By changing the Dial Tone setting to `Detection` you can make your machine dial as soon as it detects a dial tone. This setting can save a small amount of time when sending a fax to many different numbers. If you change the setting and start having problems with dialling you should change back to the default `No Detection` setting.

- 1 Press `Menu`.
- 2 Press `▲` or `▼` to display `Initial Setup`.
Press `Initial Setup`.
- 3 Press `▲` or `▼` to display `Dial Tone`.
Press `Dial Tone`.
- 4 Press `Detection` or `No Detection`.
- 5 Press **Stop/Exit**.

Telephone line interference / VoIP

If you are having difficulty sending or receiving a fax due to possible interference on the telephone line, we recommend that you adjust the Equalization for compatibility to reduce the modem speed for fax operations.

- 1 Press `Menu`.
- 2 Press `▲` or `▼` to display `Fax`.
Press `Fax`.
- 3 Press `▲` or `▼` to display `Miscellaneous`.
Press `Miscellaneous`.
- 4 Press `Compatibility`.
- 5 Press `High`, `Normal` or `Basic (for VoIP)`.
 - `Basic (for VoIP)` reduces the modem speed to 9600 bps and turns off ECM (error correction mode). Unless interference is a recurring problem on your telephone line, you may prefer to use it only when needed.

To improve compatibility with most VoIP services, Brother recommends changing the compatibility setting to `Basic (for VoIP)`.
 - `Normal` sets the modem speed at 14400 bps.
 - `High` sets the modem speed at 33600 bps.
- 6 Press **Stop/Exit**.



Note

VoIP (Voice over IP) is a type of phone system that uses an Internet connection, rather than a traditional phone line.

Improving the print quality


If you have a print quality problem, print a test page first (Menu, Printer, Print Options, Test Print). If the printout looks good, the problem is probably not the machine. Check the interface cable connections and try printing a different document. If the printout or test page printed from the machine has a quality problem, check the following steps first. And then, if you still have a print quality problem, check the chart below and follow the recommendations.


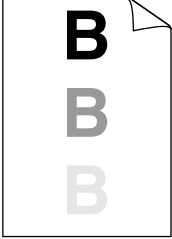
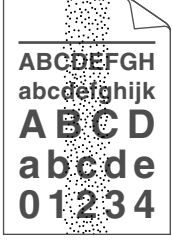





Note

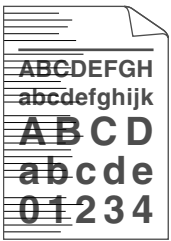
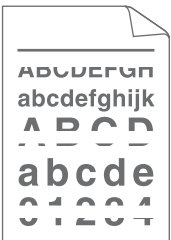
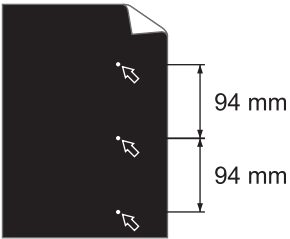
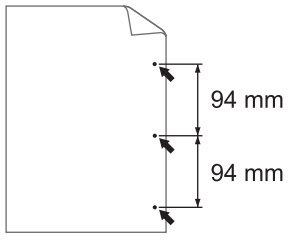
Brother does not recommend the use of cartridges other than Brother Original cartridges or the refilling of used cartridges with toner from other sources.

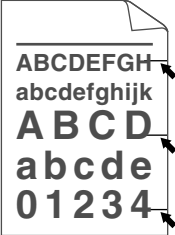
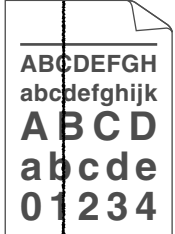
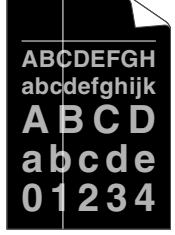
- 1 To get the best print quality, we suggest using the recommended paper. Check that you use paper that meets our specifications. (See *Acceptable paper and other print media* >> page 20.)
- 2 Check that the drum unit and toner cartridge are installed correctly.



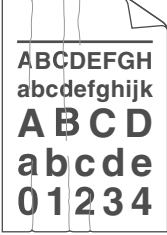
Examples of poor print quality	Recommendation
 <p style="text-align: center;">Faint</p>	<ul style="list-style-type: none"> ■ Take out the drum unit and toner cartridge assembly. Hold the assembly level with both hands and gently shake it from side to side several times to spread the toner evenly inside the cartridge. ■ If the LCD shows <i>Replace Toner</i>, put in a new toner cartridge. <ul style="list-style-type: none"> >> <i>Replacing the toner cartridge</i> >> page 66 ■ Check the machine's environment. Conditions such as humidity, high temperatures, and so on, may cause this print fault. <ul style="list-style-type: none"> >> <i>Product Safety Guide: Choose a safe location for your product</i> ■ If the whole page is too light, <i>Toner Save</i> may be turned on. Turn off <i>Toner Save</i> in the machine's menu settings or Toner Save Mode in the Printer Properties of the driver. <ul style="list-style-type: none"> >> <i>Advanced User's Guide: Toner Save</i> >> <i>Software User's Guide: Printing (for Windows®)</i> >> <i>Software User's Guide: Printing and Faxing (for Macintosh)</i> ■ Clean the corona wire of the drum unit. <ul style="list-style-type: none"> >> <i>Cleaning the corona wire</i> >> page 80 ■ Put in a new toner cartridge. <ul style="list-style-type: none"> >> <i>Replacing the toner cartridge</i> >> page 66 ■ Put in a new drum unit. <ul style="list-style-type: none"> >> <i>Replacing the drum unit</i> >> page 72


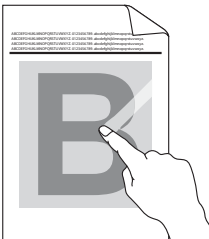

Examples of poor print quality	Recommendation
 <p data-bbox="209 556 410 585">Grey background</p>	<ul style="list-style-type: none"> ■ Make sure that you use paper that meets our specifications. <ul style="list-style-type: none"> ➤➤ <i>Acceptable paper and other print media</i> ➤➤ page 20 ■ Check the machine's environment. Conditions such as high temperatures and high humidity can increase the amount of background shading. <ul style="list-style-type: none"> ➤➤ <i>Product Safety Guide: Choose a safe location for your product</i> ■ Put in a new toner cartridge. <ul style="list-style-type: none"> ➤➤ <i>Replacing the toner cartridge</i> ➤➤ page 66 ■ Put in a new drum unit. <ul style="list-style-type: none"> ➤➤ <i>Replacing the drum unit</i> ➤➤ page 72
 <p data-bbox="273 952 347 981">Ghost</p>	<ul style="list-style-type: none"> ■ Make sure that you use paper that meets our specifications. Rough-surfaced paper or thick paper may cause this problem. <ul style="list-style-type: none"> ➤➤ <i>Acceptable paper and other print media</i> ➤➤ page 20 ■ Make sure that you choose the appropriate media type in the printer driver or in the machine's <i>Tray Setting</i> menu. <ul style="list-style-type: none"> ➤➤ <i>Paper Size and Type</i> ➤➤ page 17 ➤➤ <i>Software User's Guide: Printing</i> (for Windows®) ➤➤ <i>Software User's Guide: Printing and Faxing</i> (for Macintosh) ■ Choose Reduce Ghosting mode in the printer driver. <ul style="list-style-type: none"> ➤➤ <i>Software User's Guide: Printing</i> (for Windows®) ➤➤ <i>Software User's Guide: Printing and Faxing</i> (for Macintosh) ■ Put in a new drum unit. <ul style="list-style-type: none"> ➤➤ <i>Replacing the drum unit</i> ➤➤ page 72 ■ Put in a new toner cartridge. <ul style="list-style-type: none"> ➤➤ <i>Replacing the toner cartridge</i> ➤➤ page 66 ■ The fuser unit may be contaminated. <ul style="list-style-type: none"> Call Brother customer service for support.
 <p data-bbox="230 1657 388 1686">Toner specks</p>	<ul style="list-style-type: none"> ■ Make sure that you use paper that meets our specifications. Rough-surfaced paper may cause the problem. <ul style="list-style-type: none"> ➤➤ <i>Acceptable paper and other print media</i> ➤➤ page 20 ■ Clean the corona wire on the drum unit. <ul style="list-style-type: none"> ➤➤ <i>Cleaning the corona wire</i> ➤➤ page 80 ■ The drum unit may be damaged. Put in a new drum unit. <ul style="list-style-type: none"> ➤➤ <i>Replacing the drum unit</i> ➤➤ page 72 ■ The fuser unit may be contaminated. <ul style="list-style-type: none"> Call Brother customer service for support.

Examples of poor print quality	Recommendation
 <p data-bbox="209 556 351 585">Hollow print</p>	<ul style="list-style-type: none"> <li data-bbox="477 295 1136 324">■ Make sure that you use paper that meets our specifications. <ul style="list-style-type: none"> <li data-bbox="504 334 1101 363">➤➤ <i>Acceptable paper and other print media</i> ➤➤ page 20 <li data-bbox="477 382 1211 469">■ Choose Thick Paper mode in the printer driver, choose Thick in the machine's Tray Setting menu or use thinner paper than you are currently using. <ul style="list-style-type: none"> <li data-bbox="504 479 902 508">➤➤ <i>Paper Size and Type</i> ➤➤ page 17 <li data-bbox="504 527 1046 556">➤➤ Software User's Guide: <i>Printing</i> (for Windows®) <li data-bbox="504 575 1170 604">➤➤ Software User's Guide: <i>Printing and Faxing</i> (for Macintosh) <li data-bbox="477 614 1211 672">■ Check the machine's environment. Conditions such as high humidity can cause hollow print. <ul style="list-style-type: none"> <li data-bbox="504 681 1204 710">➤➤ Product Safety Guide: <i>Choose a safe location for your product</i> <li data-bbox="477 730 1101 759">■ The drum unit may be damaged. Put in a new drum unit. <ul style="list-style-type: none"> <li data-bbox="504 768 937 797">➤➤ <i>Replacing the drum unit</i> ➤➤ page 72
 <p data-bbox="230 1068 330 1097">All black</p>	<ul style="list-style-type: none"> <li data-bbox="477 811 1211 869">■ Clean the corona wire inside the drum unit by sliding the green tab. Be sure to return the green tab to the home position (▲). <ul style="list-style-type: none"> <li data-bbox="504 879 943 908">➤➤ <i>Cleaning the corona wire</i> ➤➤ page 80 <li data-bbox="477 917 1101 946">■ The drum unit may be damaged. Put in a new drum unit. <ul style="list-style-type: none"> <li data-bbox="504 956 937 985">➤➤ <i>Replacing the drum unit</i> ➤➤ page 72
 <p data-bbox="120 1373 440 1402">White lines across the page</p>	<ul style="list-style-type: none"> <li data-bbox="477 1116 1211 1203">■ Make sure that you use paper that meets our specifications. A rough surfaced paper or thick print media can cause this problem. See <i>Acceptable paper and other print media</i> ➤➤ page 20. <li data-bbox="477 1222 1211 1280">■ Make sure that you choose the appropriate media type in the printer driver or in the machine's Tray Setting menu. <ul style="list-style-type: none"> <li data-bbox="504 1290 902 1319">➤➤ <i>Paper Size and Type</i> ➤➤ page 17 <li data-bbox="504 1338 1046 1367">➤➤ Software User's Guide: <i>Printing</i> (for Windows®) <li data-bbox="504 1377 1170 1406">➤➤ Software User's Guide: <i>Printing and Faxing</i> (for Macintosh) <li data-bbox="477 1425 1211 1512">■ The problem may disappear by itself. Print multiple blank pages to clear this problem, especially if the machine has not been used for a long time. <li data-bbox="477 1532 1101 1561">■ The drum unit may be damaged. Put in a new drum unit. <ul style="list-style-type: none"> <li data-bbox="504 1570 930 1599">➤➤ <i>Replacing the drum unit</i> ➤➤ page 72

Examples of poor print quality	Recommendation
 <p data-bbox="182 550 440 579">Lines across the page</p>	<ul style="list-style-type: none"> ■ Clean the corona wire inside the drum unit. <ul style="list-style-type: none"> ➤➤ <i>Cleaning the corona wire</i> ➤➤ page 80 ■ The drum unit may be damaged. Put in a new drum unit. <ul style="list-style-type: none"> ➤➤ <i>Replacing the drum unit</i> ➤➤ page 72
 <p data-bbox="144 850 471 908">White lines, bands or ribbing across the page</p>	<ul style="list-style-type: none"> ■ Check the machine's environment. Conditions such as high humidity and high temperatures may cause this print quality problem. <ul style="list-style-type: none"> ➤➤ <i>Product Safety Guide: Choose a safe location for your product</i> ■ If the problem is not solved after printing a few pages, put in a new drum unit. <ul style="list-style-type: none"> ➤➤ <i>Replacing the drum unit</i> ➤➤ page 72
 <p data-bbox="161 1178 463 1265">White Spots on black text and graphics at 94 mm intervals</p>  <p data-bbox="185 1535 440 1593">Black Spots at 94 mm intervals</p>	<ul style="list-style-type: none"> ■ Make 10-15 copies of a blank, white sheet of paper. If the problem is not solved after printing the blank pages, the drum unit may have foreign material, such as glue from a label, stuck on the drum. Clean the drum unit. <ul style="list-style-type: none"> ➤➤ <i>Cleaning the drum unit</i> ➤➤ page 82 ■ The drum unit may be damaged. Put in a new drum unit. <ul style="list-style-type: none"> ➤➤ <i>Replacing the drum unit</i> ➤➤ page 72

Examples of poor print quality	Recommendation
 <p data-bbox="115 556 445 614">Black toner marks across the page</p>	<ul style="list-style-type: none"> <li data-bbox="477 295 1218 392">■ If you use label sheets for laser printers, the glue from the sheets may sometimes stick to the OPC drum surface. Clean the drum unit. <ul style="list-style-type: none"> <li data-bbox="504 369 920 392">➤➤ <i>Cleaning the drum unit</i> ➤➤ page 82 <li data-bbox="477 411 1136 479">■ Make sure that you use paper that meets our specifications. <ul style="list-style-type: none"> <li data-bbox="504 455 1098 479">➤➤ <i>Acceptable paper and other print media</i> ➤➤ page 20 <li data-bbox="477 498 1212 546">■ Do not use paper that has clips or staples because they will scratch the surface of the drum. <li data-bbox="477 566 1212 624">■ If the unpacked drum unit is in direct sunlight or room light, the unit may be damaged. <li data-bbox="477 643 1212 710">■ The toner cartridge may be damaged. Put in a new toner cartridge. <ul style="list-style-type: none"> <li data-bbox="504 687 989 710">➤➤ <i>Replacing the toner cartridge</i> ➤➤ page 66 <li data-bbox="477 730 1098 794">■ The drum unit may be damaged. Put in a new drum unit. <ul style="list-style-type: none"> <li data-bbox="504 765 934 794">➤➤ <i>Replacing the drum unit</i> ➤➤ page 72
 <p data-bbox="128 1064 432 1161">Black lines down the page Printed pages have toner smudges down the page</p>	<ul style="list-style-type: none"> <li data-bbox="477 803 1212 871">■ Clean the corona wire inside the drum unit by sliding the green tab. <ul style="list-style-type: none"> <li data-bbox="504 848 943 871">➤➤ <i>Cleaning the corona wire</i> ➤➤ page 80 <li data-bbox="477 890 1212 948">■ Make sure the green tab of the corona wire is at the home position (▲). <li data-bbox="477 967 1212 1035">■ The toner cartridge may be damaged. Put in a new toner cartridge. <ul style="list-style-type: none"> <li data-bbox="504 1012 989 1035">➤➤ <i>Replacing the toner cartridge</i> ➤➤ page 66 <li data-bbox="477 1054 1098 1112">■ The drum unit may be damaged. Put in a new drum unit. <ul style="list-style-type: none"> <li data-bbox="504 1089 934 1112">➤➤ <i>Replacing the drum unit</i> ➤➤ page 72 <li data-bbox="477 1132 889 1199">■ The fuser unit may be contaminated. Call your Brother dealer for service.
 <p data-bbox="128 1476 432 1495">White lines down the page</p>	<ul style="list-style-type: none"> <li data-bbox="477 1215 1212 1302">■ Make sure that foreign material such as a torn piece of paper, sticky notes or dust is not inside the machine and around the drum unit and toner cartridge. <li data-bbox="477 1321 1212 1389">■ The toner cartridge may be damaged. Put in a new toner cartridge. <ul style="list-style-type: none"> <li data-bbox="504 1365 989 1389">➤➤ <i>Replacing the toner cartridge</i> ➤➤ page 66 <li data-bbox="477 1408 1098 1476">■ The drum unit may be damaged. Put in a new drum unit. <ul style="list-style-type: none"> <li data-bbox="504 1443 934 1476">➤➤ <i>Replacing the drum unit</i> ➤➤ page 72

Examples of poor print quality	Recommendation
 <p data-bbox="227 552 392 581">Image skewed</p>	<ul style="list-style-type: none"> <li data-bbox="504 295 1243 382">■ Make sure that the paper or other print media is loaded correctly in the paper tray and that the guides are not too tight or too loose against the paper stack. <li data-bbox="504 397 1030 465">■ Set the paper guides correctly. <ul style="list-style-type: none"> <li data-bbox="532 436 1030 465">➤➤ <i>Loading paper and print media</i> ➤➤ page 11 <li data-bbox="504 481 1243 548">■ If you are using the MP tray, see <i>Loading paper in the multi-purpose tray (MP tray)</i> ➤➤ page 13. <li data-bbox="504 564 1030 631">■ The paper tray may be too full. <ul style="list-style-type: none"> <li data-bbox="532 593 1030 622">➤➤ <i>Loading paper and print media</i> ➤➤ page 11 <li data-bbox="504 647 1130 714">■ Check the paper type and quality. <ul style="list-style-type: none"> <li data-bbox="532 676 1130 705">➤➤ <i>Acceptable paper and other print media</i> ➤➤ page 20 <li data-bbox="504 730 1201 759">■ Check for loose objects such as torn paper inside the machine. <li data-bbox="504 774 1201 852">■ If the problem only occurs during duplex printing, check for torn paper in the duplex tray, verify that the duplex tray is inserted completely and verify that the back cover is closed completely.
 <p data-bbox="227 1122 392 1151">Curled or wavy</p>	<ul style="list-style-type: none"> <li data-bbox="504 861 1195 948">■ Check the paper type and quality. High temperatures and high humidity will cause paper to curl. <ul style="list-style-type: none"> <li data-bbox="532 929 1130 958">➤➤ <i>Acceptable paper and other print media</i> ➤➤ page 20 <li data-bbox="532 973 1243 1002">➤➤ <i>Product Safety Guide: Choose a safe location for your product</i> <li data-bbox="504 1018 1243 1134">■ If you do not use the machine often, the paper may have been in the paper tray too long. Turn over the stack of paper in the paper tray. Also, fan the paper stack and then rotate the paper 180° in the paper tray. <li data-bbox="504 1149 1243 1207">■ Open the back cover (face-up output tray) to let the printed paper exit onto the face-up output tray. <li data-bbox="504 1222 1243 1280">■ Choose Reduce Paper Curl mode in the printer driver when you do not use our recommended paper. <ul style="list-style-type: none"> <li data-bbox="532 1296 1075 1325">➤➤ <i>Software User's Guide: Printing</i> (for Windows®) <li data-bbox="532 1340 1201 1369">➤➤ <i>Software User's Guide: Printing and Faxing</i> (for Macintosh)
 <p data-bbox="196 1644 423 1673">Wrinkles or creases</p>	<ul style="list-style-type: none"> <li data-bbox="504 1383 1030 1450">■ Make sure that paper is loaded correctly. <ul style="list-style-type: none"> <li data-bbox="532 1421 1030 1450">➤➤ <i>Loading paper and print media</i> ➤➤ page 11 <li data-bbox="504 1466 1130 1534">■ Check the paper type and quality. <ul style="list-style-type: none"> <li data-bbox="532 1505 1130 1534">➤➤ <i>Acceptable paper and other print media</i> ➤➤ page 20 <li data-bbox="504 1549 1229 1607">■ Turn over the stack of paper in the tray or rotate the paper 180° in the input tray.

Examples of poor print quality	Recommendation
 <p data-bbox="175 517 382 542">Envelope Creases</p>	<ul style="list-style-type: none"> ■ Make sure that envelopes are printed with the back cover (face-up output tray) opened. <ul style="list-style-type: none"> ➤➤ <i>Printing on thick paper, labels and envelopes from the MP tray</i> ➤➤ page 14 ■ Check the envelope type and quality. <ul style="list-style-type: none"> ➤➤ <i>Acceptable paper and other print media</i> ➤➤ page 20 ■ Make sure envelopes are fed only from the MP tray. <ul style="list-style-type: none"> ➤➤ <i>Loading paper in the multi-purpose tray (MP tray)</i> ➤➤ page 13
 <p data-bbox="216 865 341 890">Poor fixing</p>	<ul style="list-style-type: none"> ■ Choose Improve Toner Fixing mode in the printer driver. <ul style="list-style-type: none"> ➤➤ Software User's Guide: <i>Printing</i> (for Windows®) ➤➤ Software User's Guide: <i>Printing and Faxing</i> (for Macintosh) <p>If this selection does not provide enough improvement, change the printer driver setting in Media Type to a thick setting.</p>
 <p data-bbox="241 1174 316 1199">Curled</p>	<ul style="list-style-type: none"> ■ Choose Reduce Paper Curl mode in the printer driver. <ul style="list-style-type: none"> ➤➤ Software User's Guide: <i>Printing</i> (for Windows®) ➤➤ Software User's Guide: <i>Printing and Faxing</i> (for Macintosh) ■ Open the back cover (face-up output tray) to let the printed paper exit onto the face-up output tray.

Machine Information

Checking the Serial Number

You can see the machine's Serial Number on the LCD.

- 1 Press **Menu**.
- 2 Press **▲** or **▼** to display
Machine Info..
Press Machine Info..
- 3 The LCD will display the machine's
Serial Number.
- 4 Press **Stop/Exit**.

Reset functions

The following reset functions are available:

1 Network

You can reset the internal print server back to its default factory settings such as the password and IP address information.

2 Address & Fax

Address & Fax resets the following settings:

- Address Book
(One Touch Dial/Speed Dial/Setup Groups)
- Programmed fax jobs in the memory
(Polled TX, Delayed Fax, Batch TX)
- Station ID
(name and number)
- Coverpage Msg
(comments)
- Remote Fax Options
(Remote Access Code, Fax Storage, Fax Forwarding, Paging, PC-Fax Send, and PC-Fax Receive (Windows® only))
- Report settings
(Transmission Verification Report/ Tel Index List/Fax Journal)
- Setting Lock password

3 All Settings

You can reset all the machine's settings back to the factory default.

Brother strongly recommends you perform this operation when you dispose of the machine.



Note

Unplug the interface cable before you choose **Network** or **All Settings**.

How to reset the machine

- 1 Press **Menu**.
- 2 Press **▲** or **▼** to display **Initial Setup**.
Press **Initial Setup**.
- 3 Press **▲** or **▼** to display **Reset**.
Press **Reset**.
- 4 Press **Network, Address & Fax** or **All Settings** to choose the reset function you want to use.
- 5 Do one of the following;
 - To reset the settings, press **Yes** and go to step 6.
 - To exit without making changes, press **No** and go to step 7.
- 6 You will be asked to reboot the machine. Do one of the following;
 - To reboot the machine press **Yes** for 2 seconds. The machine will begin the reboot.
 - To exit without rebooting the machine, press **No**. Go to step 7.



Note

If you do not reboot your machine, the reset will not complete and your settings will remain unchanged.

- 7 Press **Stop/Exit**.



Note

You can also reset the Network settings by pressing **Menu, Network, Network Reset**.

On-screen programming



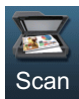


Your machine is designed to be easy to operate with LCD on-screen programming using the menu buttons on the Touchscreen. User-friendly programming helps you take full advantage of all the menu selections your machine has to offer.

Since your programming is done on the LCD, we have created step-by-step on-screen instructions to help you program your machine. All you need to do is follow the instructions as they guide you through the menu selections and programming options.

Menu table

You can program your machine by using the Menu table that begins on *Menu table* >> page 132. These pages list the menu selections and options.


Menu and mode buttons


	Access the main menu.
	Access each mode and its menu of temporary settings.
	
	
	
	
	
	Exit the menu or stop the current operation.


Menu table


The menu table will help you understand the menu selections and options that are found in the machine's programs. The factory settings are shown in Bold with an asterisk.



Level 1	Level 2	Level 3	Level 4	Options	Descriptions	Page
General Setup	Tray Setting	MP Tray	—	Paper Size A4* Letter Legal Executive A5 A5 L A6 B5 B6 Folio Any	Sets the size and type of paper in paper MP tray.	17
				Paper Type Thin Plain* Thick Thicker Recycled Paper Label		
◆ <i>Advanced User's Guide</i>						
 The factory settings are shown in Bold with an asterisk.						

Level 1	Level 2	Level 3	Level 4	Options	Descriptions	Page
General Setup (Continued)	Tray Setting (Continued)	Tray#1	—	Paper Size A4* Letter Legal Executive A5 A5 L A6 B5 B6 Folio	Sets the size and type of paper in paper tray #1.	17
				Paper Type Thin Plain* Thick Thicker Recycled Paper		
		Tray#2 (This menu only appears if you have Tray 2 installed.)	—	Paper Size A4* Letter Legal Executive A5 B5 B6 Folio	Sets the size and type of paper in paper tray #2.	17
◆ <i>Advanced User's Guide</i>						
 The factory settings are shown in Bold with an asterisk.						

Level 1	Level 2	Level 3	Level 4	Options	Descriptions	Page
General Setup (Continued)	Tray Setting (Continued)	Tray Use:Copy	—	Tray#1 Only Tray#2 Only MP Only MP>T1>T2* T1>T2>MP (Tray#2 and T2 appear only if you installed Tray 2.)	Chooses the tray that will be used for Copy mode.	18
		Tray Use:Fax	—	Tray#1 Only Tray#2 Only MP Only MP>T1>T2 T1>T2>MP* (Tray#2 and T2 appear only if you installed Tray 2.)	Chooses the tray that will be used for Fax mode.	18
		Tray Use:Print	—	Tray#1 Only Tray#2 Only MP Only MP>T1>T2* T1>T2>MP (Tray#2 and T2 appear only if you installed Tray 2.)	Chooses the tray that will be used for Print mode.	19
	Volume	Ring	—	Low Med* High Off	Adjusts the ring volume.	10
		Beeper	—	Low Med* High Off	Adjusts the beeper volume.	10
		Speaker	—	Low Med* High Off	Adjusts the speaker volume.	10
◆ <i>Advanced User's Guide</i>						
 The factory settings are shown in Bold with an asterisk.						

Level 1	Level 2	Level 3	Level 4	Options	Descriptions	Page
General Setup (Continued)	Ecology	Toner Save	—	On Off*	Increases the page yield of the toner cartridge.	See ◆ .
		Sleep Time	—	Range varies depending on models. 3 Mins*	Conserves power.	
	Quiet Mode	—	—	On Off*	Decreases printing noise.	
	LCD Settings	Backlight	—	Light* Med Dark	You can adjust the brightness of the LCD backlight.	
		Dim Timer	—	10 Secs 20 Secs 30 Secs Off*	You can set how long the LCD backlight stays on for after the last key press.	
	Security	Function Lock	Set Password Lock Off⇒On Setup ID	—	You can restrict selected machine operations for up to 25 restricted users and all other non-authorized Public users.	
		Setting Lock	Set Password Lock Off⇒On	—	Stops unauthorized users from changing the machine's current settings.	
◆ <i>Advanced User's Guide</i>						
 The factory settings are shown in Bold with an asterisk.						



Level 1	Level 2	Level 3	Level 4	Options	Descriptions	Page
Fax	Setup Receive	Ring Delay	—	(0 - 8) 2* (Example for the UK)	Sets the number of rings before the machine answers in Fax Only or Fax/Tel mode.	34
		F/T Ring Time	—	20 Secs 30 Secs* 40 Secs 70 Secs	Sets the length of the fast double-ring time in Fax/Tel mode.	34
		Fax Detect	—	On* Off	Receives fax messages automatically when you answer a call and hear fax tones.	35
		Remote Codes	—	On (*51, #51) Off*	Allows you to answer all calls at an extension or external phone and use codes to turn the machine on or off. You can personalize these codes.	42
		Auto Reduction	—	On* Off	Reduces the size of incoming faxes.	See ◆ .
		Forward/Store (Backup Print)	—	Fax Forward Fax Storage PC Fax Receive Off*	Sets the machine to forward fax messages, to store incoming faxes in the memory (so you can retrieve them while you are away from your machine), or to send faxes to your PC. If you chose Fax Forward or PC-Fax Receive, you can turn on the safety feature Backup Print.	

◆ *Advanced User's Guide*



The factory settings are shown in Bold with an asterisk.

Level 1	Level 2	Level 3	Level 4	Options	Descriptions	Page	
Fax (Continued)	Setup Receive (Continued)	Print Density	—	-2 -1 0* +1 +2	Makes printouts darker or lighter.	See ◆ .	
		Fax Rx Stamp	—	On Off*	Prints the received time and date on the top of the received faxes.		
		Duplex	—	On Off*	Prints received faxes on both sides of the paper.		
	Setup Send	Batch TX	—	On Off*	Combines delayed faxes going to the same fax number at the same time of day into one transmission.		
		Coverpage Setting	Print Sample	—		You can print a sample of the fax cover page.	
			Coverpage Note	—		Set up your own comments for the fax cover page.	
		Destination	—	Display* Hidden	Sets the machine to display the destination information on the LCD screen during fax sending.		
	Report Setting	XMIT Report	—	On On+Image Off* Off+Image	Choose the initial setup for the Transmission Verification Report.	29	
		Journal Period	—	Every 50 Faxes* Every 6 Hours Every 12 Hours Every 24 Hours Every 2 Days Every 7 Days Off	Sets the interval for automatic printing of the Fax Journal. If you have chosen other than Off and Every 50 Faxes , you can set the time for the chosen option. If you have chosen Every 7 Days , you can also set the day of the week.	See ◆ .	

◆ *Advanced User's Guide*

The factory settings are shown in Bold with an asterisk.

Level 1	Level 2	Level 3	Level 4	Options	Descriptions	Page	
Fax (Continued)	Print Document	—	—	—	Prints incoming faxes stored in the memory.	See ♦ .	
	Remote Access	—	—	---*	Set your own code for Remote Retrieval.		
	Dial Restrict.	Dial Pad	—	—	Enter # twice On Off*		You can set the machine to restrict dialling when using the dial pad.
		One Touch Dial	—	—	Enter # twice On Off*		You can set the machine to restrict the dialling of One Touch numbers.
		Speed Dial	—	—	Enter # twice On Off*		You can set the machine to restrict the dialling of Speed Dial numbers.
		LDAP Server	—	—	Enter # twice On Off*		You can set the machine to restrict the dialling of LDAP server numbers.
	Remaining Jobs	—	—	—	Check which scheduled jobs are in the memory and cancel chosen jobs.		
	Miscellaneous	Compatibility	—	—	High* Normal Basic(for VoIP)	Adjusts the equalization for transmission difficulties. VoIP service providers offer fax support using various standards. If you regularly experience fax transmission errors, choose Basic(for VoIP) .	121
BT Call Sign (U.K. only)		—	—	On Off*	Used with BT Call Sign.	See ♦ .	

♦ *Advanced User's Guide*



The factory settings are shown in Bold with an asterisk.




Level 1	Level 2	Level 3	Level 4	Options	Descriptions	Page
Printer	Emulation	—	—	Auto (EPSON)* Auto (IBM) HP LaserJet BR-Script 3 Epson FX-850 IBM Proprinter	Choose the emulation mode.	See <input type="checkbox"/> .
	Print Options	Internal Font	—	HP LaserJet BR-Script 3	Prints a list of the machine's internal fonts.	
		Configuration	—	—	Prints a list of the machine's printer settings.	
		Test Print	—	—	Prints a test page.	
	Duplex	—	—	Long Edge Short Edge Off*	Enables or disables duplex printing. You can also choose long edge or short edge duplex printing.	
	Auto Continue	—	—	On* Off	If this setting is enabled the machine will automatically clear a paper size error, and will use any compatible paper from the other paper trays.	
	Reset Printer	—	—	Yes No	Restores the printer settings to the original factory default settings.	

Software User's Guide



The factory settings are shown in Bold with an asterisk.



Level 1	Level 2	Level 3	Level 4	Options	Descriptions	Page
Print Reports	XMIT Verify	View on LCD	—	—	Displays and prints a Transmission Verification Report for your last transmission.	See ◆ .
		Print Report	—	—		
	Tel Index List	Numerical Order	—	—	Lists names and numbers stored in the One Touch and Speed Dial memory, in numerical or alphabetical order.	
		Alphabetical Order	—	—		
	Fax Journal	—	—	—	Lists information about your last 200 incoming and outgoing faxes. (TX means Transmit. RX means Receive.)	
	User Settings	—	—	—	Lists your settings.	
	Network Config	—	—	—	Lists your Network settings.	
	Drum Dot Print	—	—	—	Prints the drum dot check sheet.	82
WLAN Report	—	—	—	Prints the result of wireless LAN connectivity diagnosis.	See ‡ .	
<p>◆ Advanced User's Guide</p> <p>‡ Quick Setup Guide</p>						
<p> The factory settings are shown in Bold with an asterisk.</p>						




Level 1	Level 2	Level 3	Level 4	Level 5	Options	Descriptions
Network +	Wired LAN	TCP/IP	Boot Method	—	Auto* Static RARP BOOTP DHCP	Chooses the BOOT method that best suits your needs.
			(IP Boot Tries)		3* [00000-32767]	Specifies the number of attempts the machine will try to obtain an IP address when the Boot Method is set to any setting except Static.
			IP Address	—	[000-255]. [000-255]. [000-255]. [000-255]	Enter the IP address.
			Subnet Mask	—	[000-255]. [000-255]. [000-255]. [000-255]	Enter the Subnet mask.
			Gateway	—	[000-255]. [000-255]. [000-255]. [000-255]	Enter the Gateway address.
			Node Name	—	BRNXXXXXXXXXXXX	Enter the Node name. (Up to 32 characters)
			WINS Config	—	Auto* Static	Chooses the WINS configuration mode.
WINS Server	—	Primary [000-255]. [000-255]. [000-255]. [000-255] Secondary [000-255]. [000-255]. [000-255]. [000-255]	Specifies the IP address of the primary or secondary WINS server.			


+ Network User's Guide

♣ Please go to the Brother Solutions Center to download the manual at <http://solutions.brother.com/>.



The factory settings are shown in Bold with an asterisk.

Level 1	Level 2	Level 3	Level 4	Level 5	Options	Descriptions
Network + (Continued)	Wired LAN (Continued)	TCP/IP (Continued)	DNS Server	—	Primary [000-255]. [000-255]. [000-255]. [000-255] Secondary [000-255]. [000-255]. [000-255]. [000-255]	Specifies the IP address of the primary or secondary DNS server.
			APIPA	—	On* Off	Automatically allocates the IP address from the link-local address range.
			IPv6	—	On Off*	Enable or Disable the IPv6 protocol. If you want to use the IPv6 protocol, visit http://solutions.brother.com/ for more information.
		Ethernet	—	—	Auto* 100B-FD 100B-HD 10B-FD 10B-HD	Chooses the Ethernet link mode.
		Wired Status	—	—	Active 100B-FD Active 100B-FD Active 100B-HD Active 10B-FD Active 10B-HD InActive Wired OFF	You can see the current wired status.
		MAC Address	—	—	—	Shows the MAC address of the machine.
		Set to Default	—	—	Yes No	Restore the wired network setting to factory default.
		<p>+ Network User's Guide</p> <p>♣ Please go to the Brother Solutions Center to download the manual at http://solutions.brother.com/.</p>				
 The factory settings are shown in Bold with an asterisk.						

Level 1	Level 2	Level 3	Level 4	Level 5	Options	Descriptions
Network + (Continued)	Wired LAN (Continued)	Wired Enable	—	—	On* Off	Enable or Disable the Wired LAN manually.
		WLAN	TCP/IP	Boot Method	—	Auto* Static RARP BOOTP DHCP
	(IP Boot Tries)			—	3* [00000-32767]	Specifies the number of attempts the machine will try to obtain an IP address when the Boot Method is set to any setting except Static.
	IP Address		—	[000-255]. [000-255]. [000-255]. [000-255]	Enter the IP address.	
	Subnet Mask		—	[000-255]. [000-255]. [000-255]. [000-255]	Enter the Subnet mask.	
	Gateway		—	[000-255]. [000-255]. [000-255]. [000-255]	Enter the Gateway address.	
	Node Name		—	BRWXXXXXXXXXXXXX	Enter the Node name. (Up to 32 characters)	
	WINS Config	—	Auto* Static	Chooses the WINS configuration mode.		
<p>+ Network User's Guide</p> <p>♣ Please go to the Brother Solutions Center to download the manual at http://solutions.brother.com/.</p>						
 The factory settings are shown in Bold with an asterisk.						

Level 1	Level 2	Level 3	Level 4	Level 5	Options	Descriptions	
Network + (Continued)	WLAN (Continued)	TCP/IP (Continued)	WINS Server	—	Primary [000-255]. [000-255]. [000-255]. [000-255] Secondary [000-255]. [000-255]. [000-255]. [000-255]	Specifies the IP address of the primary or secondary WINS server.	
			DNS Server	—	Primary [000-255]. [000-255]. [000-255]. [000-255] Secondary [000-255]. [000-255]. [000-255]. [000-255]	Specifies the IP address of the primary or secondary DNS server.	
			APIPA	—	On* Off	Automatically allocates the IP address from the link-local address range.	
			IPv6	—	On Off*	Enable or Disable the IPv6 protocol. If you want to use the IPv6 protocol, visit http://solutions.brother.com/ for more information.	
			Setup Wizard	—	—	—	You can configure your internal print server.
			WPS/AOSS	—	—	—	You can easily configure your wireless network settings using the one-button push method.
			WPS w/PIN Code	—	—	—	You can easily configure your wireless network settings using WPS with a PIN code.
			<p>+ Network User's Guide</p> <p>♣ Please go to the Brother Solutions Center to download the manual at http://solutions.brother.com/.</p>				



The factory settings are shown in Bold with an asterisk.

Level 1	Level 2	Level 3	Level 4	Level 5	Options	Descriptions	
Network + (Continued)	WLAN (Continued)	WLAN Status	Status	—	Active (11n) Active (11b) Active (11g) Wired LAN Active WLAN Off AOSS Active Connection Fail	You can see the current wireless network status.	
			Signal	—	Signal:Strong Signal:Medium Signal:Weak Signal:None	You can see the current wireless network signal strength.	
			SSID	—	—	You can see the current SSID.	
			Comm. Mode	—	Ad-hoc Infrastructure None	You can see the current Communication Mode.	
		MAC Address	—	—	—	Shows the MAC address of the machine.	
		Set to Default	—	—	Yes No	Restore the wireless network settings to factory default.	
		WLAN Enable	—	—	On Off*	Enable or disable the wireless LAN manually.	
	Wi-Fi Direct ♣	Push Button	—	—	—	You can easily configure your Wi-Fi Direct™ network settings using the one-button push method.	
			PIN Code	—	—	—	You can easily configure your Wi-Fi Direct™ network settings using WPS with a PIN code.
			Manual	—	—	—	You can manually configure your Wi-Fi Direct™ network settings.

+ Network User's Guide

♣ Please go to the Brother Solutions Center to download the manual at <http://solutions.brother.com/>.



The factory settings are shown in Bold with an asterisk.

Level 1	Level 2	Level 3	Level 4	Level 5	Options	Descriptions	
Network + (Continued)	Wi-Fi Direct ♣ (Continued)	Group Owner	—	—	On Off*	Sets your machine as the Group Owner.	
		Device Info.	Device Name	—	—	—	You can see the device name of your machine.
			SSID	—	—	—	Shows SSID of Group Owner. When the machine is not connected, LCD shows Not Connected .
			IP Address	—	—	—	You can see the current IP Address of your machine.
		Status Info.	Status	—	—	G/O Active(**) Client Active Not Connected Off Wired LAN Active ** = the number of devices	You can see the current Wi-Fi Direct™ network status.
			Signal	—	—	Signal:Strong Signal:Medium Signal:Weak Signal:None	You can see the current Wi-Fi Direct™ network signal strength. When your machine acts as the Group Owner, the LCD always shows Strong .
	I/F Enable	—	—	On Off*	Enables or Disables the Wi-Fi Direct™ connection.		
E-mail/IFAX	Mail Address	—	—	—	Enter the mail address. (Up to 60 characters)		

+ Network User's Guide

♣ Please go to the Brother Solutions Center to download the manual at <http://solutions.brother.com/>.



The factory settings are shown in Bold with an asterisk.

Level 1	Level 2	Level 3	Level 4	Level 5	Options	Descriptions		
Network + (Continued)	E-mail/IFAX (Continued)	Setup Server	SMTP	SMTP Server	Name (Up to 64 characters)	Enter the SMTP server address.		
					IP Address [000-255]. [000-255]. [000-255]. [000-255]			
					SMTP Port		25* [00001-65535]	Enter the SMTP port number.
					Auth. for SMTP		None* SMTP-AUTH POP bef. SMTP	Selects the Security method for E-mail notification.
					SMTP SSL/TLS		None* SSL TLS	You can send or receive an E-mail via an E-mail server that requires secure SSL/TLS communication.
			Verify SMTPCert.	On Off*	Verify the SMTP Server Certificate automatically.			
			POP3	POP3 Server	Name (Up to 64 characters)	Enter the POP3 server address.		
					IP Address [000-255]. [000-255]. [000-255]. [000-255]			
					POP3 Port		110* [00001-65535]	Enter the POP3 port number.
					Mailbox Name		—	Enter the mail box name. (Up to 60 characters)
Mailbox Pwd	—	Enter the password to login to the POP3 server. (Up to 32 characters)						
POP3 SSL/TLS	None* SSL TLS	You can send or receive an E-mail via an E-mail server that requires secure SSL/TLS communication.						

+ Network User's Guide

♣ Please go to the Brother Solutions Center to download the manual at <http://solutions.brother.com/>.



The factory settings are shown in Bold with an asterisk.


Level 1	Level 2	Level 3	Level 4	Level 5	Options	Descriptions
Network + (Continued)	E-mail/IFAX (Continued)	Setup Server (Continued)	POP3 (Continued)	Verify POP3Cert.	On Off*	Verify the POP3 Server Certificate automatically.
				APOP	On Off*	Enables or disables APOP.
		Setup Mail RX	Auto Polling	—	On* Off	Automatically checks the POP3 server for new messages.
				Poll Frequency (When Auto Polling is set to On.)	10* [01-60] Min	Sets the interval for checking for new messages on the POP3 server.
			Header	—	All Subject+From+To None*	Selects the contents of the mail header to be printed.
			Del Error Mail	—	On* Off	Deletes error mails automatically.
			Notification	—	On MDN Off*	Receives notification messages.
			Setup Mail TX	Sender Subject	—	—
		Size Limit		—	On Off*	Limits the size of E-mail documents.
		Notification		—	On Off*	Sends notification messages.
		Setup Relay	Rly Broadcast	—	On Off*	Relays a document to another fax machine.
			Relay Domain	—	—	Registers the Domain name.
			Relay Report	—	On Off*	Prints the Relay Broadcast Report.

+ Network User's Guide


♣ Please go to the Brother Solutions Center to download the manual at <http://solutions.brother.com/>.




The factory settings are shown in Bold with an asterisk.

Level 1	Level 2	Level 3	Level 4	Level 5	Options	Descriptions
Network + (Continued)	Fax to Server	—	—	—	On (Prefix/Suffix) off*	You can store a prefix/suffix address in the machine and can send a document from a fax server system.
	Network Reset	—	—	—	Yes No	Restore all network settings to the factory defaults.
<p>+ Network User's Guide</p> <p>♣ Please go to the Brother Solutions Center to download the manual at http://solutions.brother.com/.</p>						
 The factory settings are shown in Bold with an asterisk.						




Level 1	Level 2	Level 3	Level 4	Options	Descriptions	Page	
Machine Info.	Serial No.	—	—	—	You can check the serial number of your machine.	129	
	Page Counter	—	—	Total Fax/List Copy Print	You can check the number of total pages the machine has printed during its life.	See ◆.	
	Parts Life	Drum	—	—	—	You can check the percentage of a machine part's life that remains available. (PF Kit 2 appears only if you installed the optional paper tray.)	
		Fuser	—	—	—		
		Laser	—	—	—		
		PF Kit MP	—	—	—		
		PF Kit 1	—	—	—		
PF Kit 2	—	—	—	—			
◆ <i>Advanced User's Guide</i>							
 The factory settings are shown in Bold with an asterisk.							



Level 1	Level 2	Level 3	Level 4	Options	Descriptions	Page	
Initial Setup	Receive Mode	—	—	Fax Only* Fax/Tel External TAD Manual	Chooses the receive mode that best suits your needs.	31	
	Date&Time	Date&Time	—	—	—	Puts the date and time on the LCD and in headings of faxes you send.	See ‡.
		Auto Daylight	—	—	On* Off	Changes to Daylight Saving Time automatically.	See ◆.
		Time Zone	—	—	UTCXXX:XX	Sets the time zone for your country.	See ‡.
	Station ID	—	—	Fax: Tel: Name:	Sets up your name and fax number to appear on each page you fax.		
	Tone/Pulse	—	—	Tone* Pulse	Chooses the dialling mode.		
	Dial Tone	—	—	Detection No Detection*	You can shorten the dial tone detect pause.	121	
	Phone Line Set	—	—	Normal* ISDN PBX	Select the phone line type.	38	
	Reset	Network	—	—	Yes No	Restores all network settings to factory default.	129
		Address & Fax	—	—	Yes No	Restores all stored phone numbers and fax settings.	
All Settings		—	—	Yes No	Restores all the machine settings to the factory default.		
Local Language (in Eastern Europe)	—	—	—	(Choose your language.)	Allows you to change the LCD language for your country.	See ‡.	
◆ <i>Advanced User's Guide</i>							
‡ Quick Setup Guide							
 The factory settings are shown in Bold with an asterisk.							


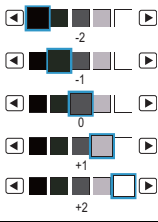
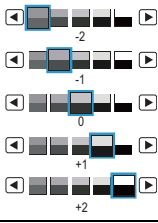






Level 1	Level 2	Level 3	Options 1	Options 2	Descriptions	Page
Quality	—	—	Auto* Text Photo Graph	—	You can choose the Copy resolution for your type of document.	See  .
Enlarge/Reduce	—	—	100%*	—	—	
			Enlarge	104% EXE ⇒ LTR 141% A5 ⇒ A4 200%	You can choose the enlargement ratio for the next copy.	
			Reduce	50% 70% A4 ⇒ A5 78% LGL ⇒ LTR 83% LGL ⇒ A4 85% LTR ⇒ EXE 91% Full Page 94% A4 ⇒ LTR 97% LTR ⇒ A4	You can choose the reduction ratio for the next copy.	
			Auto	—	You can set the machine to calculate the reduction ratio that best fits the size of paper. Auto is only available when using the ADF.	
Custom (25-400%)	—	You can choose the enlargement or reduction ratio for the next copy.				
Duplex Copy	—	—	Off* 2side⇒2side 1side⇒2side LongEdgeFlip 2side⇒1side LongEdgeFlip 1side⇒2side ShortEdgeFlip 2side⇒1side ShortEdgeFlip	—	Enables or disables duplex printing. You can also choose long edge or short edge duplex printing.	

◆ *Advanced User's Guide*








The factory settings are shown in Bold with an asterisk.

Level 1	Level 2	Level 3	Options 1	Options 2	Descriptions	Page
Tray Use	—	—	Tray#1 Only Tray#2 Only MP Only MP>T1>T2* T1>T2>MP (Tray#2 and T2 appear only if you installed Tray 2.)	—	Chooses the tray that will be used for the copy operation.	See  .
Brightness	—	—		—	Adjusts the brightness for copies.	
Contrast	—	—		—	Adjusts the contrast for copies.	
Stack/Sort	—	—	Stack* Sort	—	You can choose to stack or sort multiple copies.	
Page Layout	—	—	Off (1in1)* 2in1 (P) 2in1 (L) 2in1 (ID) 4in1 (P) 4in1 (L)	—	You can make N in 1 and 2 in 1 ID copies.	
Set New Default	—	—	Quality Brightness Contrast	—	You can save your copy settings as the default settings.	
Factory Reset	—	—	Yes No	—	You can restore all copy settings to the factory settings.	
 <i>Advanced User's Guide</i>						
 The factory settings are shown in Bold with an asterisk.						

Level 1	Level 2	Level 3	Options 1	Options 2	Descriptions	Page
Favorite Settings	Store	Favorite:1	Rename	—	After you make changes to the following settings, you can store them as one of your Favorite settings: Quality Enlarge/Reduce Duplex Copy Tray Use Brightness Contrast Stack/Sort Page Layout	See  .
		Favorite:2	Rename			
		Favorite:3	Rename			
	Rename	Favorite:1	Rename	—	You can rename your Favorite settings.	
		Favorite:2	Rename	—		
		Favorite:3	Rename	—		
Favorite	—	—	Favorite:1 Favorite:2 Favorite:3	—	You can apply your Favorite settings as the default settings.	
◆ <i>Advanced User's Guide</i>						
 The factory settings are shown in Bold with an asterisk.						



Level 1	Level 2	Level 3	Level 4	Options	Descriptions	Page
Address Book	Edit	Set One Touch Dial	—	—	Stores up to 32 One Touch Dial numbers, so you can dial by pressing only a few buttons (and Start).	48
		Set Speed Dial	—	—	Stores up to 300 Speed Dial numbers, so you can dial by pressing only a few buttons (and Start).	50
		Setup Groups (One Touch)	—	—	Sets up to 20 Group numbers for Broadcasting.	See  .
		Setup Groups (Speed Dial)	—	—	Sets up to 20 Group numbers for Broadcasting.	
		Change	—	—	You can change One Touch and Speed Dial numbers.	51 and see  .
		Delete	—	—	You can delete One Touch and Speed Dial numbers.	51 and see  .
Duplex Fax	—	—	—	DuplexScan : LongEdge DuplexScan : ShortEdge Off*	Sets the duplex scanning format.	See  .
Fax Resolution	—	—	—	Standard* Fine S.Fine Photo	Sets the resolution for outgoing faxes.	
Contrast	—	—	—	Auto* Light Dark	Changes the lightness or darkness of faxes you send.	
Glass ScanSize	—	—	—	A4* Letter Legal/Folio	To fax a Letter, Legal or Folio size document, you'll need to change the Glass Scan Size setting.	29

 *Advanced User's Guide*



The factory settings are shown in Bold with an asterisk.

Level 1	Level 2	Level 3	Level 4	Options	Descriptions	Page
Broadcasting	Manual	—	—	—	You can send the same fax message to more than one fax number.	See ◆.
	Address Book	—	—	—		
Delayed Fax	—	—	—	On Off*	Sets the time of day in 24 hour format that delayed faxes will be sent.	
Real Time TX	—	—	—	On Off*	Sends a fax without using the memory.	
Polled TX	—	—	—	Standard Secure Off*	Sets up your machine with a document to be retrieved by another fax machine.	
Coverpage Setup	—	—	—	On Off*	Automatically sends a cover page you have programmed.	
Polling RX	—	—	—	Standard Secure Timer Off*	Sets up your machine to poll another fax machine.	
Overseas Mode	—	—	—	On Off*	If you are having difficulty sending faxes overseas, set this to On.	
Set New Default	—	—	—	Fax Resolution Contrast Glass ScanSize Real Time TX Coverpg Setup	You can save your fax settings as the default settings.	
Factory Reset	—	—	—	Yes No	You can restore all fax settings to the factory settings.	


◆ *Advanced User's Guide*





The factory settings are shown in Bold with an asterisk.





Level 1	Level 2	Level 3	Level 4	Options	Descriptions	Page
Scan to USB	Quality	—	—	Color 100 dpi* Color 200 dpi Color 300 dpi Color 600 dpi Color Auto Gray 100 dpi Gray 200 dpi Gray 300 dpi Gray Auto B&W 300 dpi B&W 200 dpi B&W 200x100 dpi	You can choose the scan resolution and file format for your document.	See <input type="checkbox"/> .
	File Type	—	—	(If you chose a Color or Gray option in the Quality setting) PDF* PDF/A Secure PDF Signed PDF JPEG XPS (If you chose a B&W option in the Quality setting) PDF* PDF/A Secure PDF Signed PDF TIFF		
<input type="checkbox"/> Software User's Guide						
The factory settings are shown in Bold with an asterisk.						


Level 1	Level 2	Level 3	Level 4	Options	Descriptions	Page
Scan to USB (Continued)	Duplex Scan	—	—	DuplexScan : LongEdge DuplexScan : ShortEdge Off*	Chooses the duplex scanning format.	See <input type="checkbox"/> .
	File Name	—	—	—	Enter a file name for the scanned data.	
	Glass ScanSize	—	—	A4* Letter Legal/Folio	To scan a Letter, Legal or Folio size document, you'll need to change the Glass Scan Size setting.	
	File Size	—	—	Small Medium* Large	You can choose the file size for colour or greyscale scanning.	
	Set New Default	—	—	Quality File Type Glass ScanSize File Size	You can save your scan to USB settings as the default settings.	
	Factory Reset	—	—	Yes No	You can restore all scan to USB settings to the factory settings.	
Scan to Network (Windows®)	(Profile name)	Quality	—	Color 100 dpi* Color 200 dpi Color 300 dpi Color 600 dpi Color Auto Gray 100 dpi Gray 200 dpi Gray 300 dpi Gray Auto B&W 300 dpi B&W 200 dpi B&W 200x100 dpi	You can choose the scan resolution and file format for your document.	
<input type="checkbox"/> Software User's Guide						
 The factory settings are shown in Bold with an asterisk.						

Level 1	Level 2	Level 3	Level 4	Options	Descriptions	Page
Scan to Network (Windows®) (Continued)	(Profile name) (Continued)	File Type	—	(If you chose a Color or Gray option in the Quality setting) PDF* PDF/A Secure PDF Signed PDF JPEG XPS (If you chose a B&W option in the Quality setting) PDF* PDF/A Secure PDF Signed PDF TIFF		See <input type="checkbox"/> .
		Duplex Scan	—	DuplexScan : LongEdge DuplexScan : ShortEdge Off*	Chooses the duplex scanning format.	
		Glass ScanSize	—	A4* Letter Legal/Folio	To scan a Letter, Legal or Folio size document, you'll need to change the Glass Scan Size setting.	
		File Size	—	Small Medium* Large	You can choose the file size for colour or greyscale scanning.	
<input type="checkbox"/> Software User's Guide						
 The factory settings are shown in Bold with an asterisk.						

Level 1	Level 2	Level 3	Level 4	Options	Descriptions	Page
Scan to Network (Windows®) (Continued)	(Profile name) (Continued)	File Name	—	BRNXXXXXXXXXX* Estimate Report Order sheet Contract sheet Check Receipt <Manual>	You can choose preset file names. If you choose <Manual>, you can name the file as you like. "XXXXXXXXXX" is your machine's MAC Address/Ethernet Address.	See <input type="checkbox"/> .
Scan to FTP	(Profile name)	Quality	—	Color 100 dpi* Color 200 dpi Color 300 dpi Color 600 dpi Color Auto Gray 100 dpi Gray 200 dpi Gray 300 dpi Gray Auto B&W 300 dpi B&W 200 dpi B&W 200x100 dpi	You can choose the scan resolution and file format for your document.	
		File Type	—	(If you chose a Color or Gray option in the Quality setting) PDF* PDF/A Secure PDF Signed PDF JPEG XPS		
<input type="checkbox"/> Software User's Guide						
 The factory settings are shown in Bold with an asterisk.						

Level 1	Level 2	Level 3	Level 4	Options	Descriptions	Page
Scan to FTP (Continued)	(Profile name) (Continued)	File Type (Continued)	—	(If you chose a B&W option in the Quality setting) PDF* PDF/A Secure PDF Signed PDF TIFF		See <input type="checkbox"/> .
		Duplex Scan	—	DuplexScan : LongEdge DuplexScan : ShortEdge Off*	Chooses the duplex scanning format.	
		Glass ScanSize	—	A4* Letter Legal/Folio	To scan a Letter, Legal or Folio size document, you'll need to change the Glass Scan Size setting.	
		File Size	—	Small Medium* Large	You can choose the file size for colour or greyscale scanning.	
		File Name	—	BRNXXXXXXXXXX* Estimate Report Order sheet Contract sheet Check Receipt <Manual>	You can choose preset file names. If you choose <Manual>, you can name the file as you like. "XXXXXXXXXX" is your machine's MAC Address/Ethernet Address.	
<input type="checkbox"/> Software User's Guide						
 The factory settings are shown in Bold with an asterisk.						

Level 1	Level 2	Level 3	Level 4	Options	Descriptions	Page
Scan to E-mail	Manual/ Address Book	Quality	—	Color 100 dpi* Color 200 dpi Color 300 dpi Color 600 dpi Color Auto Gray 100 dpi Gray 200 dpi Gray 300 dpi Gray Auto B&W 300 dpi B&W 200 dpi B&W 200x100 dpi	You can choose the scan resolution and file format for your document.	See <input type="checkbox"/> .
		File Type	—	(If you chose a Color or Gray option in the Quality setting) PDF* PDF/A Secure PDF Signed PDF JPEG XPS (If you chose a B&W option in the Quality setting) PDF* PDF/A Secure PDF Signed PDF TIFF		
		Duplex Scan	—	DuplexScan : LongEdge DuplexScan : ShortEdge Off*		
<input type="checkbox"/> Software User's Guide						
 The factory settings are shown in Bold with an asterisk.						

Level 1	Level 2	Level 3	Level 4	Options	Descriptions	Page
Scan to E-mail (Continued)	Manual/ Address Book (Continued)	Glass ScanSize	—	A4* Letter Legal/Folio	To scan a Letter, Legal or Folio size document, you'll need to change the Glass Scan Size setting.	See <input type="checkbox"/> .
		File Size	—	Small Medium* Large	You can choose the file size for colour or greyscale scanning.	
		Number of Destinations	—	—	You can add multiple destination E-mail addresses.	
		Set New Default	—	Quality File Type Glass ScanSize File Size	You can save your scan to E-mail settings as the default settings.	
		Factory Reset	—	Yes No	You can restore all scan to E-mail settings to the factory settings.	
Scan to PC	E-Mail	Duplex Scan	—	DuplexScan : LongEdge DuplexScan : ShortEdge Off*	You can scan a monochrome or a colour document into your E-mail application.	
		Setting Help	—	—	If you want to change Scan to PC settings, you must use the ControlCenter. See the Software User's Guide for details.	
	Image	Duplex Scan	—	DuplexScan : LongEdge DuplexScan : ShortEdge Off*	You can scan a colour picture into your graphics application.	
		Setting Help	—	—	If you want to change Scan to PC settings, you must use the ControlCenter. See the Software User's Guide for details.	
<input type="checkbox"/> Software User's Guide						
 The factory settings are shown in Bold with an asterisk.						

Level 1	Level 2	Level 3	Level 4	Options	Descriptions	Page
Scan to PC (Continued)	OCR	Duplex Scan	—	DuplexScan : LongEdge DuplexScan : ShortEdge Off*	You can have your text document converted to an editable text file.	See <input type="checkbox"/> .
		Setting Help	—	—	If you want to change Scan to PC settings, you must use the ControlCenter. See the Software User's Guide for details.	
	File	Duplex Scan	—	DuplexScan : LongEdge DuplexScan : ShortEdge Off*	You can scan a monochrome or a colour document into your computer.	
		Setting Help	—	—	If you want to change Scan to PC settings, you must use the ControlCenter. See the Software User's Guide for details.	
Web Service (Appears when you install a Web Service Scan, which is Displayed in your computer's Network explorer.)	Scan	—	—	—	You can scan data by using web Service protocol.	
	Scan for E-mail	—	—	—		
	Scan for OCR	—	—	—		
	Scan for Fax	—	—	—		
	Scan for Print	—	—	—		

Software User's Guide



The factory settings are shown in Bold with an asterisk.

Other Functions



Level 1	Level 2	Level 3	Level 4	Options	Descriptions	Page
Direct Print	(Select File)	Print Settings (No. of Prints (001–999))	Paper Size	A4* Letter Legal Executive A5 A5 L A6 B5 B6 Folio	Sets the paper size when printing directly from the USB flash memory drive.	55
			Paper Type	Thin Plain* Thick Thicker Recycled Paper Label	Sets the print media type when printing directly from the USB flash memory drive.	55
			Multiple Page	1in1* 2in1 4in1 9in1 16in1 25in1 1 in 2x2 pages 1 in 3x3 pages 1 in 4x4 pages 1 in 5x5 pages	Sets the page layout when printing multiple pages directly from the USB Flash memory drive.	55
			Orientation	Portrait* Landscape	Sets the page orientation when printing directly from the USB Flash memory drive.	55
			Duplex	Long Edge Short Edge off*	Chooses the duplex print format when print directly from the USB Flash memory drive.	55



The factory settings are shown in Bold with an asterisk.


The **Direct Print** button on the LCD becomes active when a USB flash memory drive is connected and **Direct Print** is selected in the USB memory menu.

Level 1	Level 2	Level 3	Level 4	Options	Descriptions	Page
Direct Print (Continued)	(Select File) (Continued)	Print Settings (No. of Prints (001–999)) (Continued)	Collate	On* Off	Enables or disables page collation when printing directly from the USB Flash memory drive.	55
			Tray Use	Auto* MP Only Tray#1 Only Tray#2 Only (Tray#2 Only appears only if you installed Tray 2.)	Chooses the tray when printing directly from the USB Flash memory drive.	55
			Print Quality	Normal* Fine	Sets the print quality option when printing directly from the USB Flash memory drive.	55
			PDF Option	Document* Document&Markup Document&Stamps	Sets the USB direct print setting whether to print comments (Markup) or stamps in the PDF file along with the text.	55
Index Print	—	—	—	—	You can print a thumbnail page.	55
Default Settings	Paper Size	—	—	A4* Letter Legal Executive A5 A5 L A6 B5 B6 Folio	Sets the default paper size when printing directly from the USB flash memory drive.	56
				Paper Type	—	Thin Plain* Thick Thicker Recycled Paper Label



The factory settings are shown in Bold with an asterisk.

The **Direct Print** button on the LCD becomes active when a USB flash memory drive is connected and **Direct Print** is selected in the USB memory menu.

Level 1	Level 2	Level 3	Level 4	Options	Descriptions	Page
Direct Print (Continued)	Default Settings (Continued)	Multiple Page	—	1in1* 2in1 4in1 9in1 16in1 25in1 1 in 2x2 pages 1 in 3x3 pages 1 in 4x4 pages 1 in 5x5 pages	Sets the default page style when printing multiple pages directly from the USB Flash memory drive.	56
		Orientation	—	Portrait* Landscape	Sets the default page orientation when printing directly from the USB Flash memory drive.	56
		Collate	—	On* Off	Enables or disables default page collation when printing directly from the USB Flash memory drive.	56
		Print Quality	—	Normal* Fine	Sets the default print quality option when printing directly from the USB Flash memory drive.	56
		PDF Option	—	Document* Document&Markup Document&Stamps	Sets the default USB direct print setting whether to print comments (Markup) or stamps in the PDF file along with the text.	56
		Index Print	—	Simple* Details	Sets the default index print option, simple format or details.	56
 The factory settings are shown in Bold with an asterisk. The Direct Print button on the LCD becomes active when a USB flash memory drive is connected and Direct Print is selected in the USB memory menu.						



Level 1	Level 2	Level 3	Level 4	Options	Descriptions	Page
Secure Print	(Select User)	(Select Secure Print Job)	Password:	Print Delete	You can print data saved in the memory drive when you enter your four-digit password. (The Secure Print button on the LCD becomes active when there is secure data.)	See □.

□ Software User's Guide



The factory settings are shown in Bold with an asterisk.




Level 1	Level 2	Level 3	Level 4	Options	Descriptions	Page
Address Book	Edit	Set One Touch Dial	—	—	Stores up to 32 One Touch Dial numbers, so you can dial by pressing only a few buttons (and Start).	48
		Set Speed Dial	—	—	Stores up to 300 Speed Dial numbers, so you can dial by pressing only a few buttons (and Start).	50
		Setup Groups (One Touch)	—	—	Sets up to 20 Group numbers for Broadcasting.	See ◆.
		Setup Groups (Speed Dial)	—	—	Sets up to 20 Group numbers for Broadcasting.	
		Change	—	—	You can change One Touch and Speed Dial numbers.	51 and see ◆.
		Delete	—	—	You can delete One Touch and Speed Dial numbers.	51 and see ◆.

◆ Advanced User's Guide



The factory settings are shown in Bold with an asterisk.

Level 1	Level 2	Level 3	Level 4	Options	Descriptions	Page
Quick Dials	Edit	Set One Touch Dial	—	—	Stores up to 32 One Touch Dial numbers.	48
		Change	—	—	You can change One Touch Dial numbers.	51
		Delete	—	—	You can delete One Touch Dial numbers.	51
 The factory settings are shown in Bold with an asterisk.						

Entering text

When you are setting certain menu selections, you may need to enter text into the machine.

Press **A 1 @** repeatedly to choose between letters, numbers or special characters. Press **↑** to change between upper case and lower case, as needed when entering an E-mail address.



Inserting spaces

To enter a space, press the space key button or ►.

Making corrections

If you entered an incorrect character and want to change it, use the arrow buttons to move the cursor under the incorrect character. Then press **⌫**. Enter the correct character. You can also insert letters by moving the cursor and entering a character.



Note

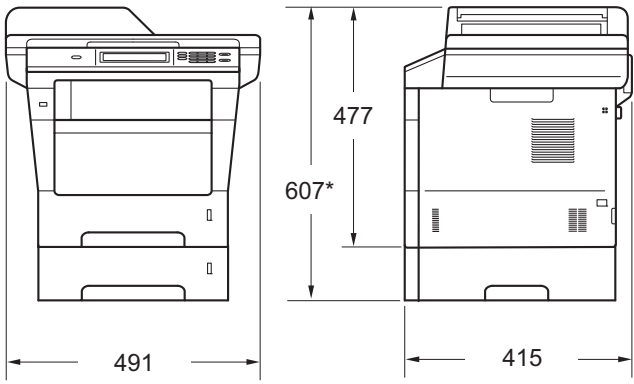
- The characters available may differ depending on your country.
 - The keyboard layout may differ depending on the function you are setting.
-

D

Specifications

D

General

Model		MFC-8950DW	MFC-8950DWT
Printer Type		Laser	
Print Method		Electrophotographic Laser Printer	
Memory Capacity	Standard	128 MB	
	Optional	1 slot: DDR2 SO-DIMM (144-pin) up to 256 MB	
LCD (liquid crystal display)		Wide Touchscreen 5 in. (126 mm) Colour LCD ¹	
Power Source		220 - 240 V AC 50/60 Hz	
Power Consumption ² (Average)	Peak	Approx. 1200 W at 25 °C	
	Copying	Approx. 694 W at 25 °C	
	Copying (Quiet Mode)	Approx. 350 W at 25 °C	
	Ready	Approx. 9.8 W at 25 °C	
	Sleep (WLAN:On)	Approx. 6.8 W	
	Deep Sleep	Approx. 1.6 W	
Dimensions		 <p>*: MFC-8950DWT Unit: mm</p>	
Weights (with consumables)		17.7 kg	20.8 kg

¹ Measured diagonally

² USB connections to PC

Model		MFC-8950DW	MFC-8950DWT	
Noise Level	Sound Pressure	Printing	LPAM = 59 dB (A)	
		Ready	LPAM = 37 dB (A)	
		Printing (Quiet Mode)	LPAM = 54 dB (A)	
	Sound Power	Copying ^{1 2}	For Germany, Austria, Belgium: LWAd = 6.63 B (A)	For Germany, Austria, Belgium: LWAd = 6.78 B (A)
			For Other countries: LWAd = 6.59 B (A)	For Other countries: LWAd = 6.77 B (A)
		Ready ^{1 2}	LWAd = 4.70 B (A)	LWAd = 4.58 B (A)
	Printing (Quiet Mode)	LWAd = 6.4 B (A)		
Temperature		Operating	10 to 32.5 °C	
		Storage	0 to 40 °C	
Humidity		Operating	20 to 80% (without condensation)	
		Storage	10 to 90% (without condensation)	
ADF (automatic document feeder)		Up to 50 pages For best results we recommend: Temperature: 20 to 30 °C Humidity: 50% to 70% Paper: 80 g/m ²		

¹ Measured in accordance with the method described in RAL-UZ122.

² Office equipment with LWAd>6.30 B (A) is not suitable for use in rooms where people do primarily intellectual work. Such equipment should be placed in separate rooms because of the noise emission.

Document Size

Model		MFC-8950DW	MFC-8950DWT
Document Size (Single-sided)	ADF Width	147.3 to 215.9 mm	
	ADF Length	147.3 to 355.6 mm	
	Scanner Glass Width	Max. 215.9 mm	
	Scanner Glass Length	Max. 355.6 mm	
Document Size (2-sided (Duplex))	ADF Width	147.3 to 215.9 mm	
	ADF Length	147.3 to 355.6 mm	

Print media

Model		MFC-8950DW	MFC-8950DWT
Paper Input	Paper Tray (Standard)	Paper Type	Plain Paper, Thin Paper, Recycled Paper
		Paper Size	A4, Letter, B5 (ISO/JIS), A5, A5 (Long Edge), B6 (ISO), A6, Executive, Legal, Folio
		Paper Weight	60 to 105 g/m ²
		Maximum Paper Capacity	Up to 500 sheets of 80 g/m ² Plain Paper
	Multi-purpose tray (MP tray)	Paper Type	Plain Paper, Thin Paper, Thick Paper, Thicker Paper, Recycled Paper, Bond Paper, Label, Envelope, Env.Thin, Env.Thick
		Paper Size	Width: 76.2 to 215.9 mm Length: 127.0 to 355.6 mm
		Paper Weight	60 to 163 g/m ²
		Maximum Paper Capacity	Up to 50 sheets of 80 g/m ² Plain Paper
	Paper Tray 2 (Optional) ²	Paper Type	Plain Paper, Thin Paper, Recycled Paper
		Paper Size	A4, Letter, B5 (ISO/JIS), A5, B6 (ISO), Executive, Legal, Folio
		Paper Weight	60 to 105 g/m ²
		Maximum Paper Capacity	Up to 500 sheets of 80 g/m ² Plain Paper
Paper Output ¹	Face-Down Output Tray	Up to 150 sheets of 80 g/m ² Plain paper (face-down delivery to the face-down output paper tray)	
	Face-Up Output Tray	One sheet (face-up delivery to the face-up output tray)	
Duplex	Automatic Duplex Printing	Paper Type	Plain Paper, Thin Paper, Recycled Paper
		Paper Size	A4
		Paper Weight	60 to 105 g/m ²

¹ For labels, we recommend removing printed pages from the output paper tray immediately after they exit the machine to avoid the possibility of smudging.

² Tray 2 is optional on the MFC-8950DW.

Fax

Model		MFC-8950DW	MFC-8950DWT
Compatibility		ITU-T Super Group 3	
Coding System		MH/MR/MMR/JBIG/JPEG	
Modem Speed		33,600 bps (with Automatic Fallback)	
2-sided (Duplex) Print Receiving		Yes	
Automatic 2-sided (Duplex) Sending		Yes (from ADF)	
Scanning Width		Max. 208 mm	
Printing Width		Max. 208 mm	
Greyscale		8 bit/256 levels	
Resolution	Horizontal	8 dot/mm	
	Vertical	Standard: 3.85 line/mm	
		Fine: 7.7 line/mm	
		Photo: 7.7 line/mm	
		Superfine: 15.4 line/mm	
One Touch Dial		32	
Speed Dial		300 stations	
Groups		Up to 20	
Broadcasting		382 stations	
Automatic Redial		3 times at 5 minute intervals	
Memory Transmission		Up to 500 ¹ pages	
Out of Paper Reception		Up to 500 ¹ pages	

¹ 'Pages' refers to the 'ITU-T Test Chart #1' (a typical business letter, Standard resolution, JBIG code). Specifications and printed materials are subject to change without prior notice.

Copy

Model	MFC-8950DW	MFC-8950DWT
Copy Width	Max. 210 mm	
Automatic 2-sided (Duplex) Copy	Yes (from ADF)	
Multiple Copies	Stacks or Sorts up to 99 pages	
Reduce/Enlarge	25% to 400% (in increments of 1%)	
Resolution	Up to 1200 × 600 dpi	
First Copy Out Time ¹	Less than 10.5 seconds at 23 °C / 230 V	

¹ From Ready mode and standard tray

Scanner

Model	MFC-8950DW	MFC-8950DWT
Colour / Black	Yes / Yes	
TWAIN Compliant	Yes (Windows® XP/ Windows Vista® / Windows® 7 / Mac OS X 10.5.8, 10.6.x, 10.7.x ¹)	
WIA Compliant	Yes (Windows® XP / Windows Vista® / Windows® 7)	
ICA Compliant	Yes (Mac OS X 10.6.x, 10.7.x)	
Colour Depth	48 bit internal / 24 bit external colour	
Resolution	Up to 19200 × 19200 dpi (interpolated) ² Up to 1200 × 1200 dpi (optical) ² (from Scanner Glass) Up to 1200 × 600 dpi (optical) ² (from ADF)	
Scanning Width	Max. 210 mm	
Automatic 2-sided (Duplex) Scanning	Yes (from ADF)	
Greyscale	256 levels	

¹ For the latest driver updates for the version of Mac OS X you are using, visit us at <http://solutions.brother.com/>.

² Maximum 1200 × 1200 dpi scanning with the WIA driver in Windows® XP, Windows Vista® and Windows® 7 (resolution up to 19200 × 19200 dpi can be chosen by using the scanner utility)

Printer

Model	MFC-8950DW	MFC-8950DWT
Automatic 2-sided (Duplex) Print	Yes	
Emulations	PCL6, BR-Script3 (PostScript® 3™), IBM Proprinter XL, Epson FX-850	
Resolution	1200 dpi × 1200 dpi, HQ1200 (2400 dpi × 600 dpi) quality, 600 dpi × 600 dpi	
Print Speed (Duplex)	Up to 18 sides/minute (Up to 9 sheets/minute) (A4 size) ¹	
Print Speed	Up to 40 pages/minute (A4 size) ¹	
First Print Time ²	Less than 8.5 seconds at 23 °C / 230 V	

¹ The print speed may vary depending on the type of document you print.

² From Ready mode and standard tray

Interfaces

Model	MFC-8950DW	MFC-8950DWT
USB	Hi-Speed USB 2.0 ^{1 2} It is recommended you use a USB 2.0 cable (Type A/B) that is no more than 2.0 metres long.	
Ethernet ³	10BASE-T / 100BASE-TX / 1000BASE-T ⁴ Use a straight-through Category 5e (or greater) Shielded Twisted-Pair (STP) cable.	
Wireless LAN ³	IEEE 802.11b/g/n (Infrastructure mode) IEEE 802.11b (Ad-hoc mode)	

- ¹ Your machine has a Hi-Speed USB 2.0 interface. The machine can also be connected to a computer that has a USB 1.1 interface.
- ² Third party USB ports are not supported.
- ³ For detailed network specifications, see *Network (LAN)* >> page 184 and >>> Network User's Guide.
- ⁴ When you connect the machine to a Gigabit Ethernet Network, use the network devices complying with 1000BASE-T.

Direct Print feature

Model	MFC-8950DW	MFC-8950DWT
Compatibility	PDF version 1.7 ¹ , JPEG, Exif + JPEG, PRN (created by Brother printer driver), TIFF (scanned by all Brother MFC or DCP models), XPS version 1.0.	
Interface	USB direct interface	

¹ PDF data including a JBIG2 image file, a JPEG2000 image file or a transparency file is not supported.

Computer requirements

Minimum System Requirements and Supported PC Software Functions								
Computer Platform & Operating System Version		Processor Minimum Speed	Minimum RAM	Recommended RAM	Hard Disk Space to install		Supported PC Software Functions	Supported PC Interface ²
					For Drivers	For Applications		
Windows® Operating System	Windows® XP Home ^{1 4} Windows® XP Professional ^{1 4}	Intel® Pentium® II or equivalent	128 MB	256 MB	150 MB	500 MB	Printing, PC-Fax ³ , Scanning	USB, 10Base-T/ 100Base-TX (Ethernet), 1000Base-T (Gigabit Ethernet), Wireless 802.11 b/g/n
	Windows® XP Professional x64 Edition ^{1 4}	64-bit (Intel®64 or AMD64) supported CPU	256 MB	512 MB				
	Windows Vista® ^{1 4}	Intel® Pentium® 4 or equivalent 64-bit (Intel®64 or AMD64) supported CPU	512 MB	1 GB	500 MB	1.2 GB		
	Windows® 7 ^{1 4}	Intel® Pentium® 4 or equivalent 64-bit (Intel®64 or AMD64) supported CPU	1 GB (32-bit) 2 GB (64-bit)	1 GB (32-bit) 2 GB (64-bit)	650 MB			

Minimum System Requirements and Supported PC Software Functions								
Computer Platform & Operating System Version		Processor Minimum Speed	Minimum RAM	Recommended RAM	Hard Disk Space to install		Supported PC Software Functions	Supported PC Interface ²
					For Drivers	For Applications		
	Windows Server [®] 2003 (print only via network)	Intel [®] Pentium [®] III or equivalent	256 MB	512 MB	50 MB	N/A	Printing	10Base-T/100Base-TX (Ethernet), 1000Base-T (Gigabit Ethernet), Wireless 802.11 b/g/n
	Windows Server [®] 2003 x64 Edition (print only via network)	64-bit (Intel [®] 64 or AMD64) supported CPU						
	Windows Server [®] 2008 (print only via network)	Intel [®] Pentium [®] 4 or equivalent 64-bit (Intel [®] 64 or AMD64) supported CPU	512 MB	2 GB				
	Windows Server [®] 2008 R2 (print only via network)	64-bit (Intel [®] 64 or AMD64) supported CPU						
Macintosh Operating System	Mac OS X 10.5.8	PowerPC G4/G5 Intel [®] Processor	512 MB	1 GB	80 MB	400 MB	Printing, PC-Fax Send ³ , Scanning	USB, 10Base-T/100Base-TX (Ethernet), 1000Base-T (Gigabit Ethernet), Wireless 802.11 b/g/n
	Mac OS X 10.6.x	Intel [®] Processor	1 GB	2 GB				
	Mac OS X 10.7.x	Intel [®] Processor	2 GB	2 GB				

¹ For WIA, 1200 x 1200 resolution. Brother Scanner Utility enables to enhance up to 19200 x 19200 dpi.

² Third-party USB ports are not supported.

³ PC-Fax supports black and white only.

⁴ Nuance™ PaperPort™ 12SE supports Microsoft® SP3 or higher for Windows® XP and SP2 or higher for Windows Vista® and Windows® 7.

For the latest driver updates, visit <http://solutions.brother.com/>.

All trademarks, brand and product names are property of their respective companies.

Consumable items

Model		MFC-8950DW	MFC-8950DWT	Model Name
Toner Cartridge	Inbox	Approx. 8,000 pages A4 or Letter page ¹		-
	Standard	Approx. 3,000 pages A4 or Letter page ¹		TN-3330
	High Yield	Approx. 8,000 pages A4 or Letter page ¹		TN-3380
	Super High Yield	Approx. 12,000 pages A4 or Letter page ¹		TN-3390
Drum Unit		Approx. 30,000 pages A4 or Letter pages (1 page / job) ²		DR-3300

¹ Approx. cartridge yield is declared in accordance with ISO/IEC 19752.

² Drum life is approximate and may vary by type of use.

Network (LAN)



Note

For more information about the Network specifications >> the Network User's Guide.

Model		MFC-8950DW	MFC-8950DWT
LAN		You can connect your machine to a network for Network Printing, Network Scanning, PC-Fax Send, PC-Fax Receive (Windows® only) and Remote Setup ¹ . Also included is Brother BRAdmin Light ^{2 3} Network Management software.	
Protocols	IPv4	ARP, RARP, BOOTP, DHCP, APIPA(Auto IP), WINS/NetBIOS name resolution, DNS Resolver, mDNS, LLMNR responder, LPR/LPD, Custom Raw Port/Port9100, POP3, SMTP Client, IPP/IPPS, FTP Client and Server, LDAP Client, CIFS Client, TELNET Server, SNMPv1/v2c/v3, HTTP/HTTPS server, TFTP client and server, ICMP, Web Services (Print/Scan), SNTP Client	
	IPv6	NDP, RA, DNS resolver, mDNS, LLMNR responder, LPR/LPD, Custom Raw Port/Port9100, IPP/IPPS, FTP Client and Server, LDAP Client, CIFS Client, TELNET Server, SNMPv1/v2c/v3, HTTP/HTTPS server, TFTP client and server, SMTP Client, ICMPv6, SNTP Client, Web Services (Print/Scan)	
Security Protocols	Wired	APOP, POP before SMTP, SMTP-AUTH, SSL/TLS (IPPS, HTTPS, SMTP, POP), SNMP v3, 802.1x (EAP-MD5, EAP-FAST, PEAP, EAP-TLS, EAP-TTLS), Kerberos	
	Wireless	APOP, POP before SMTP, SMTP-AUTH, SSL/TLS (IPPS, HTTPS, SMTP, POP), SNMP v3, 802.1x (LEAP, EAP-FAST, PEAP, EAP-TLS, EAP-TTLS), Kerberos	
Wireless Network Security		WEP 64/128 bit, WPA-PSK (TKIP/AES), WPA2-PSK (AES)	
Wireless Network Setup Support Utility	AOSS™	Yes	
	WPS	Yes	

¹ See *Computer requirements* >> page 181.

² (For Windows® users) Brother BRAdmin Light is available on the CD-ROM provided with the machine.
(For Macintosh users) Brother BRAdmin Light is available as a download from <http://solutions.brother.com/>.

³ (For Windows® users) If you require more advanced machine management, use the latest Brother BRAdmin Professional utility version that is available as a download from <http://solutions.brother.com/>.

E

Index

A

- ADF (automatic document feeder)
 - using25
- Answering machine (TAD)
 - connecting39
- Apple Macintosh
 - See Software User's Guide.
- Automatic
 - fax receive33
 - Fax Detect35
 - fax redial45

C

- Cleaning
 - corona wire80
 - drum unit82
 - scanner78
- Connecting
 - external TAD (answering machine)39
 - external telephone40
- Consumable items64, 65
- Control panel overview6
- ControlCenter2 (for Macintosh)
 - See Software User's Guide.
- ControlCenter4 (for Windows®)
 - See Software User's Guide.
- Cordless telephone (non-Brother)42

D

- Dialling
 - a pause46
 - automatic fax redial45
 - manual44
 - One Touch44
 - Speed Dial44
 - using the Search45
- Dimensions171
- Direct print54, 55
 - specification180
- Document
 - how to load25, 26
- Drum unit
 - cleaning80, 82
 - replacing72

E

- Envelopes14, 20, 21, 23
- Equalization121
- Error messages on LCD90
 - Comm. Error90
 - No Paper92
 - Out of Memory93
 - Print Unable XX94
 - Scan Unable XX95
- Extension telephone, using41, 42
- External telephone, connecting40

F

- Fax codes
 - changing43
 - remote activation code42
 - remote deactivation code42
- Fax, stand-alone
 - receiving
 - fax detect35
 - from extension telephone41, 42
 - ring delay, setting34
 - telephone line interference121
 - sending27
 - telephone line interference121
- Fax/Tel mode
 - answering at extension telephones42
 - F/T ring time (double-ring)34
 - fax detect35
 - receiving faxes41
 - remote activation code42
 - remote deactivation code42
 - ring delay34
- Folio17, 21

G

- Greyscale175, 177

H

- HELP
 - LCD messages131
 - Menu Table132
- Home key6

L

- Labels 13, 20, 21, 24
- LCD (liquid crystal display) 6, 131

M

- Machine information
 - how to reset the machine 130
 - reset functions 129
 - serial number 129
- Macintosh
 - See Software User's Guide.
- Maintenance, routine 77
 - replacing
 - drum unit 72
 - toner cartridge 66
- Manual
 - dialling 44
 - receive 33
- Memory 171
- Menu Table 132
- Mode, entering
 - copy 53
 - fax 27
 - Scan 8
- Multi-line connections (PBX) 40

N

- Network
 - faxing
 - See Software User's Guide.
 - printing
 - See Network User's Guide.
 - scanning
 - See Software User's Guide.
- Network connectivity 179
- Nuance™ PaperPort™ 12SE
 - See Software User's Guide and Help in the PaperPort™ 12SE application to access How-to-Guides.

O

- One Touch
 - changing 51
 - setting up 48
 - using 44
- Out of Memory message 93

P

- Paper 20
 - how to load 11
 - in multi-purpose tray 13
 - in paper tray 11
 - recommended 20, 21
 - size 17, 20
 - tray capacity 21
 - type 17, 20
- PC-Fax
 - See Software User's Guide.
- Presto! PageManager
 - See Software User's Guide. See also Help in the Presto! PageManager application.
- Print
 - difficulties 111, 113
 - document from your computer 57
 - drivers 178
 - quality 122
 - resolution 178
 - specifications 178
- Printing
 - See Software User's Guide.
- Programming your machine 131

Q

- Quality
 - printing 122
- Quick dial 48
 - Group dial
 - changing 51
 - One Touch dial
 - changing 51
 - custom scan profile 48
 - setting up 48
 - using 44
 - search 45
 - Speed Dial
 - changing 51
 - custom scan profile 50
 - setting up 50
 - using 44

R

Redial/Pause key	45, 46
Remote setup	
See Software User's Guide.	
Replacing	
drum unit	72
toner cartridge	66
Reports	
Transmission Verification	29
Resolution	
copy	176
fax (standard, fine, superfine, photo)	175
print	178
scan	177
Ring delay, setting	34

S

Scan a document to a computer	58
Scanner glass	
using	26
Scanning	
See Software User's Guide.	
Serial number	
how to find	See inside front cover
Sockets	
EXT	
external telephone	40
TAD (answering machine)	39
Speed Dial	
changing	51
setting up	50
using	44

T

TAD (telephone answering device), external	33
connecting	39
recording OGM	40
Tel/R key	6, 41, 42
Telephone line	
connections	39
difficulties	114
interference	121
multi-line (PBX)	40
Text, entering	170

Toner cartridge	
replacing	66
Troubleshooting	111
document jam	98, 99
error messages on LCD	90
if you are having difficulty	
copy quality	117
incoming calls	117
network	119
paper handling	112
print quality	122
printing	111, 113
receiving faxes	115
scanning	118
sending faxes	116
software	118
telephone line	121
maintenance messages on LCD	90
paper jam	100, 101, 102, 105, 109

V

VoIP	121
Volume, setting	
beeper	10
ring	10
speaker	10

W

Weights	171
Wi-Fi Direct™	4
Windows®	
See Software User's Guide.	
Wireless Network	
See Quick Setup Guide and Network User's Guide.	

brother®

Visit us on the World Wide Web
<http://www.brother.com/>

These machines are approved for use in the country of purchase only. Local Brother companies or their dealers will only support machines purchased in their own countries.