



AL-MX300 Series

User's Guide

Copyright and Trademarks

No part of this publication may be reproduced, stored in a retrieval system, or transmitted in any form or by any means, mechanical, photocopying, recording, or otherwise, without the prior written permission of Seiko Epson Corporation. No patent liability is assumed with respect to the use of the information contained herein. Neither is any liability assumed for damages resulting from the use of the information contained herein.

Neither Seiko Epson Corporation nor its affiliates shall be liable to the purchaser of this product or third parties for damages, losses, costs, or expenses incurred by purchaser or third parties as a result of: accident, misuse, or abuse of this product or unauthorized modifications, repairs, or alterations to this product, or (excluding the U.S.) failure to strictly comply with Seiko Epson Corporation's operating and maintenance instructions.

Seiko Epson Corporation and its affiliates shall not be liable against any damages or problems arising from the use of any options or any consumable products other than those designated as Original Epson Products or Epson Approved Products by Seiko Epson Corporation.

Epson Scan software is based in part on the work of the Independent JPEG Group.

IBM and PS/2 are registered trademarks of International Business Machines Corporation.

Microsoft®, Windows®, and Windows Vista® are registered trademarks of Microsoft Corporation.

Apple®, Macintosh®, Mac®, Mac OS®, Bonjour®, ColorSync®, and TrueType® are registered trademarks of Apple, Inc. Apple Chancery, Chicago, Geneva, Hoefler Text, Monaco and New York are trademarks or registered trademarks of Apple, Inc.

EPSON and EPSON ESC/P are registered trademarks and EPSON AcuLaser and EPSON ESC/P 2 are trademarks of Seiko Epson Corporation.

Monotype is a trademark of Monotype Imaging, Inc. registered in the United States Patent and Trademark Office and may be registered in certain jurisdictions.

Albertus, Arial, Coronet, Gillsans, Times New Roman and Joanna are trademarks of The Monotype Corporation registered in the United States Patent and Trademark Office and may be registered in certain jurisdictions.

ITC Avant Garde, ITC Bookman, ITC Lubalin, ITC Mona Lisa Recut, ITC Symbol, ITC Zapf-Chancery, and ITC ZapfDingbats are trademarks of International Typeface Corporation registered in the United States Patent and Trademark Office and may be registered in certain jurisdictions.

Clarendon, Helvetica, New Century Schoolbook, Optima, Palatino, Stempel Garamond, Times and Univers are registered trademarks of Heidelberger Druckmaschinen AG, which may be registered in certain jurisdictions, exclusively licensed through Linotype Library GmbH, a wholly owned subsidiary of Heidelberger Druckmaschinen AG.

Wingdings is a registered trademark of Microsoft Corporation in the United States and other countries.

Antique Olive is a registered trademark of Marcel Olive and may be registered in certain jurisdictions.

Adobe SansMM, Adobe SerifMM, Carta, and Tekton are registered trademarks of Adobe Systems Incorporated.

Marigold and Oxford are trademarks of AlphaOmega Typography.

Coronet is a registered trademark of Ludlow Type Foundry.

Eurostile is a trademark of Nebiolo.

Bitstream is a registered trademark of Bitstream Inc. registered in the United States Patent and Trademark Office and may be registered in certain jurisdictions.

Swiss is a trademark of Bitstream Inc. registered in the United States Patent and Trademark Office and may be registered in certain jurisdictions.

HP and HP LaserJet are registered trademarks of the Hewlett-Packard Company.

PCL is the registered trademark of Hewlett-Packard Company.

Adobe, the Adobe logo, PostScript3, and Adobe Acrobat are trademarks of Adobe Systems Incorporated, which may be registered in certain jurisdictions.

General Notice: Other product names used herein are for identification purposes only and may be trademarks of their respective owners. Epson disclaims any and all rights in those marks.

Copyright © 2013 Seiko Epson Corporation. All rights reserved.

Operating System Versions

In this manual, the following abbreviations are used.

Windows refers to Windows 8, 8 x64, 7, 7 x64, Vista, Vista x64, XP, XP x64, Server 2012 x64, Server 2008, Server 2008 x64, Server 2008 R2, Server 2003, and Server 2003 x64.

- ❑ Windows 8 refers to Windows 8, Windows 8 Pro, Windows 8 Enterprise.
- ❑ Windows 8 x64 refers to Windows 8 x64, Windows 8 Pro x64, Windows 8 Enterprise x64.
- ❑ Windows 7 refers to Windows 7 Ultimate Edition, Windows 7 Home Premium Edition, Windows 7 Home Basic Edition, and Windows 7 Professional Edition.
- ❑ Windows 7 x64 refers to Windows 7 Ultimate x64 Edition, Windows 7 Home Premium x64 Edition, Windows 7 Home Basic x64 Edition, and Windows 7 Professional x64 Edition.
- ❑ Windows Vista refers to Windows Vista Ultimate Edition, Windows Vista Home Premium Edition, Windows Vista Home Basic Edition, Windows Vista Enterprise Edition and Windows Vista Business Edition.
- ❑ Windows Vista x64 refers to Windows Vista Ultimate x64 Edition, Windows Vista Home Premium x64 Edition, Windows Vista Home Basic x64 Edition, Windows Vista Enterprise x64 Edition and Windows Vista Business x64 Edition.
- ❑ Windows XP refers to Windows XP Home Edition and Windows XP Professional.
- ❑ Windows XP x64 refers to Windows XP Professional x64 Edition.
- ❑ Windows Server 2012 x64 refers to Windows Server 2012 Essentials Edition, Server 2012 standard Edition.
- ❑ Windows Server 2008 refers to Windows Server 2008 Standard Edition and Windows Server 2008 Enterprise Edition.
- ❑ Windows Server 2008 x64 refers to Windows Server 2008 x64 Standard Edition, Windows Server 2008 x64 Enterprise Edition, Windows Server 2008 R2 Standard Edition, and Windows Server 2008 R2 Enterprise Edition.
- ❑ Windows Server 2003 refers to Windows Server 2003 Standard Edition and Windows Server 2003 Enterprise Edition.
- ❑ Windows Server 2003 x64 refers to Windows Server 2003 x64 Standard Edition and Windows Server 2003 x64 Enterprise Edition.

Mac OS refers to Mac OS X.

- ❑ Mac OS X refers to Mac OS X 10.5.8 or later.

Contents

Safety Instructions

Warning, Caution, Important and Note.	15
Important Safety Instructions.	15
Setting up the printer.	15
Finding the place for the printer.	17
Using the printer.	19
Handling the consumable products and maintenance parts.	20
Safety Information.	22
Laser safety labels.	22
Internal laser radiation.	22
Ozone safety.	22
Restrictions on Copying.	23

Chapter 1 Getting to Know Your Printer

Printer Parts.	24
Front view.	24
Rear view.	25
Inside the printer.	26
Scanner parts.	27
Control panel.	28
LCD menu list.	31
Options.	32
Consumable Products.	32
Maintenance Parts.	33
Printer Features.	33
Printing.	33
Copying.	33
Scanning.	34
Faxing.	34
Where to Find Information.	34

Chapter 2 **Paper Handling**

Loading Paper into Your Printer.	36
MP tray.	36
Paper cassette.	40
Output Tray.	45
Selecting and Using Print Media.	45
Labels.	45
Envelopes.	46
Thick paper.	48
Custom paper size.	49
Setting Your Originals.	50
Paper size.	51
Paper type for the Auto Document Feeder.	51
Paper direction.	51
Setting your originals on the document table.	51
Setting your originals into the Auto Document Feeder.	53

Chapter 3 **Printing**

Setting the Print Quality.	56
Using the Automatic setting.	56
Using the Advanced setting.	57
Customizing print settings.	57
Toner Save mode.	59
Improving the clarity of color documents.	59
Adjusting the weight of thin lines.	61
Setting the Advanced Layout.	61
Duplex printing.	61
Modifying the print layout.	62
Resizing printouts.	63
Printing watermarks.	64
Printing headers and footers.	66
Printing with an overlay.	67
Printing the copy-protected document.	69
Printing Multiple Print Jobs at Once	70
Using the Reserve Job Function.	71
Sending the print job.	71
Canceling a Print Job.	72

From the printer.	72
From the computer.	73
Interrupting Printing.	74
From the printer.	74
Printing Directly from a USB Memory.	75
Index printing.	75
Document printing.	76
Image printing.	77

Chapter 4 Scanning

Starting a Scan.	79
Using the Control Panel.	79
Required settings before scanning.	79
Scan mode menu list.	80
Saving scanned data to a USB memory.	81
Saving scanned data to a shared folder.	82
Sending scanned data by e-mail.	84
Saving Scanned data to a computer (Document Capture Pro/WSD).	85
Using Epson Scan from Your Computer.	86
Before Starting EPSON Scan.	86
Starting Epson Scan.	88
Scanning in Office Mode.	89
Scanning in Professional Mode.	90
Image Adjustment Features.	93
Previewing and Adjusting the Scan Area.	95
Using Other Scanning Software from Your Computer.	97
Document Capture Pro.	98
How to Start.	98
How to Access the Help.	98
Canceling Scanning.	98

Chapter 5 Copying

Setting Originals to Copy.	99
Basic Copying.	99
Copy mode menu list.	101
Duplex Copying.	101

Collate Copying.	103
Print Layout.	104
Making Changes to Copy Settings.	105
Changing the copy quality.	105
Specifying the zoom ratio.	106
Canceling a Copy Job.	107

Chapter 6 **Faxing (DNF Model Only)**

Making Settings before Using Fax Function.	108
Confirming settings.	108
Making transferring settings of received faxes.	108
Sending Faxes.	110
Loading documents.	110
Basics of sending faxes (automatic faxing).	111
Manual faxing.	112
Sending faxes using speed-dial.	112
Sending faxes using quick-dial.	113
Sending faxes using re-dial.	114
Sending faxes from your computer.	114
Canceling faxes.	115
Receiving Faxes.	116
About the reception mode.	116
Basics of receiving faxes (automatic receiving).	116
Output paper size.	116
Receiving faxes after you hear fax tones.	117
Sending received faxes to memory.	118
Sending received faxes to a shared folder.	119
Sending received faxes by e-mail.	119
Forwarding a received fax.	119
Deleting received faxes.	120
Using Advanced Functions.	120
Displaying fax history information.	120
Printing fax reports.	121
Displaying memory.	121
Registering Recipients.	122
Using the Address Settings menu on the control panel.	122

Chapter 7 Using the Control Panel

Selecting a Mode.	125
Using the Control Panel Menu.	126
Accessing the each menu.	126
How to register menus as job memory.	127
Language Settings.	128
System Settings.	128
System Information.	128
System Report Printing.	129
Common Settings.	131
Setup Menu.	131
USB Menu.	136
Network Menu.	137
USB Host Menu.	137
E-mail Server Settings.	137
Energy Saver Menu.	139
Reset Menu.	140
Printer Settings.	141
Tray Menu.	141
Printing Menu.	142
Emulation Menu.	144
PCL Menu.	145
PS3 Menu.	146
ESCP2 Menu.	147
FX Menu.	150
I239X Menu.	152
Copy Settings.	154
High Compression.	154
Standard Copy Settings.	154
Scan Settings.	154
Network Scan Settings.	154
E-mail Settings.	154
Buffer Size.	155
Standard Scan Settings.	155
Fax Settings.	155
Basic Settings.	155
Transmission Settings.	156
Reception Settings.	157
Communication Settings.	159

Detail Settings.	159
Standard Fax Settings.	160
Address Settings.	160
E-mail Address.	160
Folder Address.	160
Fax No..	161
Admin Settings.	161
Support Mode Settings.	162
Support Menu.	163
Printer Adjust Menu.	163
Status and Error Messages.	167
Printing and Deleting Reserve Job Data.	183
Printing and Deleting Re-Print Jobs or Verify Jobs.	183
Printing and Deleting Confidential Jobs.	184
Printing a Configuration Status Sheet.	185

Chapter 8 *Installing Options*

Optional Paper Cassette Unit.	186
Handling precautions.	186
Installing the optional paper cassette unit.	187
Removing the optional paper cassette unit.	192

Chapter 9 *Replacing Consumable Products/Maintenance Parts*

Precautions During Replacement.	193
Replacement Messages.	193

Chapter 10 *Cleaning and Transporting the Printer*

Cleaning the Printer.	195
Cleaning the pickup roller.	196
Cleaning the document table.	200
Cleaning the document table and the exposure window for Auto Document Feeder.	201
Cleaning the ADF pickup roller.	202
Transporting the Printer.	202
For long distances.	202
For short distances.	203

Chapter 11 Troubleshooting

Clearing Jammed Paper.	205
Precautions for clearing jammed paper.	205
Paper Jam B (Cover B).	206
Paper Jam MP, C1, C2, B (MP tray, Cassette1-2, Cover B).	208
Paper Jam in the Auto Document Feeder.	216
Printing a Configuration Status Sheet.	220
Operational Problems.	221
The Print LED does not turn on.	221
The printer does not print (Print LED off).	221
The Print LED is on but nothing prints.	222
The optional product is not available.	222
The remaining service life of the consumable products is not updated (Windows only).	222
Cannot install software or drivers.	223
Cannot access the shared printer.	223
Printout Problems.	224
The font cannot be printed.	224
Printout is garbled.	224
The printout position is not correct.	224
Graphics do not print correctly.	225
Printouts are extremely curled.	225
Print Quality Problems.	226
The background is dark or dirty.	226
Dots appear in the printout.	226
Print quality or tone is uneven.	227
Half-tone images print unevenly.	227
Toner smudges.	228
Areas are missing in the printed image.	229
Completely blank pages are output.	229
The printed image is light or faint.	230
The non-printed side of the page is dirty.	230
Print quality decreased.	231
Memory Problems.	231
Insufficient memory for current task.	231
Insufficient memory to print all copies.	232
Paper Handling Problems.	232
Paper does not feed properly.	232
The printout was on the wrong side of the paper when I did duplex printing.	233
Problems Using Options.	233

Paper does not feed from the optional paper cassette.	233
An installed option cannot be used.	234
Correcting USB Problems.	234
USB connections.	234
Windows operating system.	234
Printer software installation.	234
Status and Error Messages.	235
Canceling or Interrupting Printing.	235
Canceling printing.	235
Interrupting printing.	236
Printing in the PostScript 3 Mode Problems.	236
The printer does not print correctly in the PostScript mode.	236
The printer does not print.	236
The printer or its driver does not appear in utilities in the printer configuration (Mac OS only)	
.	237
The font on the printout is different from that on the screen.	237
The printer fonts cannot be installed.	237
The edges of texts and/or images are not smooth.	237
The printer does not print normally via the USB interface.	238
The printer does not print normally via the network interface.	238
An undefined error occurs (Mac OS only).	238
Scanning Problems.	239
Scanner operational problems.	239
Scanning software problems.	239
Scan quality problems.	240
Copying Problems.	244
Copy operational problems.	244
Copy quality problems.	244
Faxing Problems.	246
Sending and receiving faxes problems.	246
Printout problems.	249

Chapter 12 About the Printer Software

Using the Printer Software for Windows.	250
Using the printer driver.	250
Using EPSON Status Monitor.	252
Uninstalling the printer software.	259
Using the PostScript Printer Driver.	259

System requirements.	259
Using the PostScript printer driver with Windows.	260
Using the PostScript printer driver with Mac OS X.	263
Using the PCL Printer Driver.	264
Using Epson Universal P6 Printer Driver.	264

Appendix A Technical Specifications

Paper.	267
Available paper types.	267
Paper that should not be used.	267
Printable area.	268
Printer.	269
General.	269
Environmental.	272
Mechanical.	272
Electrical.	272
Standard and approvals.	273
Interfaces.	274
USB interface.	274
USB Host interface.	275
Ethernet interface.	275
Options.	275
Optional paper cassette unit.	275
Consumable Products.	276
Toner cartridge/Return toner cartridge.	276
Maintenance Parts.	276
Photoconductor Unit.	276
Fuser Unit.	276

Appendix B Where To Get Help

Contacting Epson Support.	277
Before Contacting Epson.	277
Help for Users in Europe.	277
Help for Users in Taiwan.	277


Appendix C Software License Terms


Open Source Software Licenses.	280
Other Software Licenses.	281
libtiff.	281
Info-ZIP.	281
ArcFour.	282


Index

Safety Instructions

Warning, Caution, Important and Note

 **Warning**
must be followed carefully to avoid serious bodily injury.

 **Caution**
must be observed to avoid bodily injury.

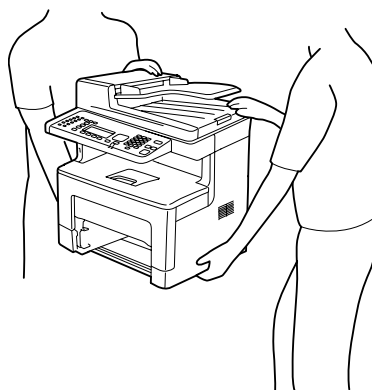
 **Important**
must be observed to avoid damage to your equipment.

Note
contains important information and useful tips on the operation of your printer.

Important Safety Instructions

Setting up the printer

- ❑ Because the printer weighs approximately 18.8 kg (41.4 lb) for the DN model or 19.0 kg (41.9 lb) for the DNF model with consumable products installed, one person should not lift or carry it. Two people should carry the printer, lifting it by the correct positions as shown below.



- ❑ When moving the printer, always keep it horizontal.

- If you are unable to insert the AC plug into the electrical outlet, contact an electrician.
- Be sure the AC power cord meets the relevant local safety standards. Use only the power cord that comes with this printer. Use of the another cord may result in fire or electric shock. This printer's power cord is for use with this printer only. Use with other equipment may result in fire or electric shock.
- If damage occurs to the plug, replace the cord set or consult a qualified electrician. If there are fuses in the plug, make sure you replace them with fuses of the correct size and rating.
- Use a grounded outlet that matches the printer's power plug. Do not use an adapter plug.
- Avoid using an electrical outlet that is controlled by wall switches or automatic timers. Accidental disruption of power can erase valuable information in your computer's and printer's memory.
- Make sure that there is no dust on the socket.
- Be sure to insert the plug completely into the electrical outlet.
- Do not handle the plug with wet hands.
- Unplug this printer from the wall outlet and refer servicing to a qualified service representative under the following conditions:

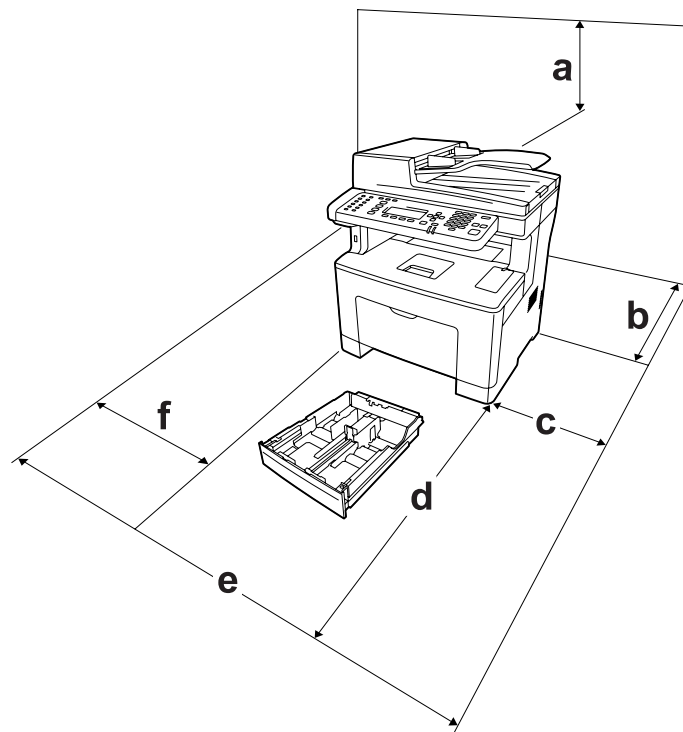
A	When the power cord or plug is damaged or frayed.
B	If liquid has been spilled into it.
C	If it has been exposed to rain or water.
D	If it does not operate normally when the operating instructions are followed. Adjust only those controls that are covered by the operating instructions since improper adjustment of other controls may result in damage and will often require extensive work by a qualified technician to restore the printer to normal operation.
E	If it has been dropped or the cabinet has been damaged.
F	If it exhibits a distinct change in performance, indicating a need for service.

- Avoid sharing outlets with other appliances.
- Connect all equipment to properly grounded power outlets. Avoid using outlets on the same circuit as photocopiers or air control systems that regularly switch on and off.
- Connect your printer to an electrical outlet that meets the power requirements of this printer. Your printer's power requirements are indicated on a label attached to the printer. If you are not sure of the power supply specifications in your area, contact your local power company or consult your dealer.

- ❑ If you use an extension cord, make sure that the total of the ampere ratings on the products plugged into the extension cord does not exceed the extension cord ampere rating.
- ❑ When connecting this printer to a computer or other device with a cable, ensure the correct orientation of the connectors. Each connector has only one correct orientation. Inserting a connector in the wrong orientation may damage both devices connected by the cable.
- ❑ Use only optional products, such as the paper cassette units and the printer stand, produced specifically for this product. Using options produced for other products may cause the product to fall over and injure someone.

Finding the place for the printer

When relocating the printer, always choose a location that has adequate space for easy operation and maintenance. Use the following illustration as a guide for the amount of space required around the printer to ensure smooth operation.



a.	35 cm	b.	40 cm
c.	10 cm	d.	60 cm
e.	93 cm	f.	40 cm

To install and use any of the following options, you will need the indicated amount of additional space.

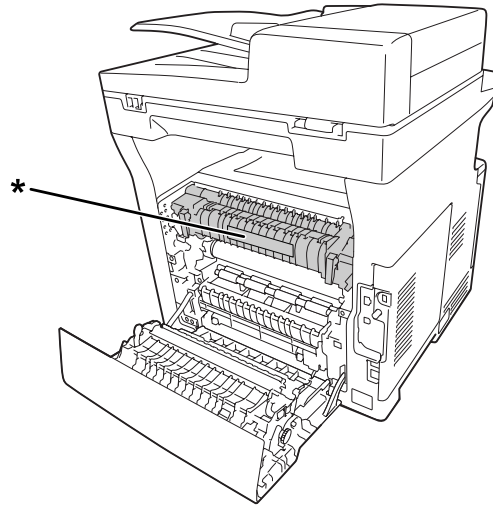
A 250-Sheet Paper Cassette Unit adds 6.5 cm to the bottom of the printer.

In addition to space considerations, always heed the following precautions when finding a place to locate the printer:

- Place the printer near an electrical outlet where you can easily plug in and unplug the power cord.
- Do not put your printer where the cord will be stepped on.
- Do not use printer in a damp environment.
- Avoid locations that are subject to direct sunlight, excessive heat, moisture, oil vapor, or dust.
- Do not place the printer on an unstable surface.
- Slots and openings in the cabinet and the back or bottom are provided for ventilation. Do not block or cover them. Do not put the printer on a bed, sofa, rug, or other similar surface or in a built-in installation unless proper ventilation is provided.
- Keep the entire computer and printer system away from potential sources of interference, such as loudspeakers or the base units of cordless telephones.
- Leave adequate room around the printer to allow for sufficient ventilation.

Using the printer

- ❑ Be careful not to touch the fuser, which is marked with a caution label, or the surrounding areas. If the printer has been in use, the fuser and the surrounding areas may be very hot. If you must touch one of these areas, wait 40 minutes to allow the heat to subside before doing so.



* caution label

- ❑ Do not insert your hand deep into the fuser unit as some components are sharp and may cause injury.
- ❑ Never push objects of any kind through cabinet slots as they may touch dangerous voltage points or short out parts that could result in a risk of fire or electric shock.
- ❑ Do not sit or lean on the printer. Do not put heavy objects on the printer.
- ❑ Do not use any kind of combustible gases in or around the printer.
- ❑ Never force the printer's components into place. Although the printer is designed to be sturdy, rough handling can damage it.
- ❑ Do not leave jammed paper inside the printer. This can cause the printer to overheat.
- ❑ Never spill liquid of any kind on the printer.
- ❑ Adjust only those controls that are covered by the operating instructions. Improper adjustment of other controls may result in damage and may require repair by a qualified service representative.

- ❑ Do not turn off the printer:
 - After turning on the printer, wait until the following screen appears on the LCD panel. The screen varies depending on which mode is selected for Default Mode in the Admin Settings menu.

Mode	Message
Copy	Ready to Copy
Scan	Specify scan address.
Print	Ready
Fax	Specify the address

- While the Data light is on or flashing.
- While printing.

- ❑ Avoid touching the components inside the printer unless instructed to do so in this guide.
- ❑ Follow all warnings and instructions marked on the printer.
- ❑ Except as specifically explained in the printer's documentation, do not attempt to service this product yourself.
- ❑ Periodically disconnect the plug from the electrical outlet and clean the blades.
- ❑ Do not disconnect the plug while the printer is on.
- ❑ If the printer will not be used for a long time, disconnect the plug from the electrical outlet.
- ❑ Unplug this printer from the wall outlet before cleaning.
- ❑ Use a well-wrung cloth for cleaning and do not use liquid or aerosol cleaners.

Handling the consumable products and maintenance parts

- ❑ Do not burn used consumable products or maintenance parts because they might explode and injure someone. Dispose of them according to local regulations.
- ❑ Be sure to keep consumable products and maintenance parts out of the reach of children.
- ❑ When handling a toner cartridge, always place it on a clean, smooth surface.
- ❑ Do not attempt to modify or take it apart consumable products or maintenance parts.

- ❑ Do not touch the toner. Always keep toner away from your eyes. If toner gets on your skin or clothes, wash it off with soap and water immediately.
- ❑ If toner is spilled, use a broom and dustpan or a damp cloth with soap and water to clean it up. Because the fine particles can cause a fire or explosion if they come into contact with a spark, do not use a vacuum cleaner.
- ❑ Wait at least one hour before using a toner cartridge after moving it from a cool to a warm environment to prevent damage from condensation.
- ❑ To get the best print quality, do not store the toner cartridge or photoconductor unit in an area subject to direct sunlight, dust, salty air, or corrosive gases (such as ammonia). Avoid locations subject to extreme or rapid changes in temperature or humidity.
- ❑ When removing the photoconductor unit, do not expose it to sunlight at all and avoid exposing it to room light for more than three minutes. The photoconductor unit contains a light-sensitive drum. Exposure to light can damage the drum, causing dark or light areas to appear on the printed page and reducing the service life of the drum. If you need to keep the photoconductor unit out of the printer for long periods, cover it with an opaque cloth.
- ❑ Be careful not to scratch the surface of the drum. When you remove the photoconductor unit from the printer, always place it on a clean, smooth surface. Avoid touching the drum, since oil from your skin can permanently damage its surface and affect print quality.
- ❑ Do not touch the transfer roller on the transfer unit to avoid damaging it.
- ❑ Do not let the paper's edge slide across your skin because the edge of the paper may cut you.

Safety Information

Laser safety labels



Warning:

The performance of procedures and adjustments other than those specified in the printer's documentation may result in hazardous radiation exposure. Your printer is a Class 1 laser product as defined in the IEC60825 specifications. The label similar to the one shown below is attached to the back of the printer in countries where required.



Internal laser radiation

There is a Class III b Laser Diode Assembly that has an invisible laser beam inside the printer head unit. The printer head unit is NOT A SERVICE ITEM, therefore, the printer head unit should not be opened under any circumstances. An additional laser warning label is affixed to the inside of the printer.

Ozone safety

Ozone emission

Ozone gas is generated by laser printers as a by-product of the printing process. Ozone is produced only when the printer is printing.

Ozone exposure limit

The Epson laser printer generates less than 1.5 mg/h of continuous printing.

Minimize the risk

To minimize the risk of exposure to ozone, you should avoid the following conditions:

- Use of multiple laser printers in a confined area
- Operation in conditions of extremely low humidity
- Poor room ventilation
- Long, continuous printing together with any of the above

Printer location

The printer should be located so that the exhaust gases and heat generated are:

- Not blown directly into the user's face
- Vented directly out of the building whenever possible

Restrictions on Copying

Operators of this printer must observe the following restrictions in order to ensure the responsible and legal use of this printer.

Copying of the following items is prohibited by law

- Bank bills, coins, government-issued marketable securities, government bond securities, and municipal securities
- Unused postage stamps, pre-stamped postcards, and other official postal items bearing valid postage
- Government-issued revenue stamps, and securities issued according to legal procedure

Exercise caution when copying the following items

- Private marketable securities (stock certificates, negotiable notes, checks, etc.), monthly passes, concession tickets, etc.
- Passports, driver's licenses, warrants of fitness, road passes, food stamps, tickets, etc.

Responsible use of copyrighted materials

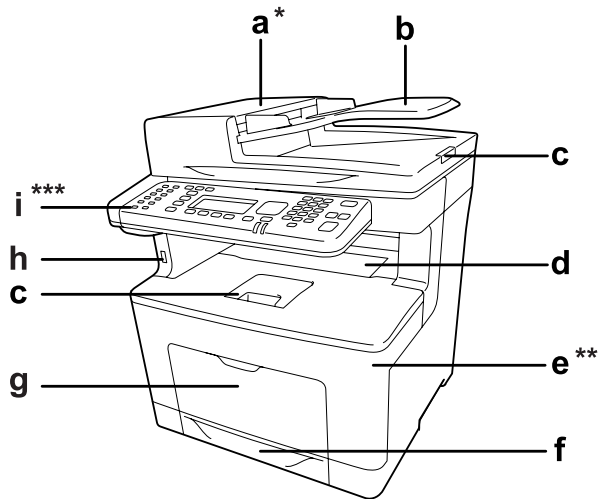
Scanners can be misused by improperly copying copyrighted materials. Unless acting on the advice of a knowledgeable attorney, be responsible and respectful by obtaining the permission of the copyright holder before copying published material.

Chapter 1

Getting to Know Your Printer

Printer Parts

Front view

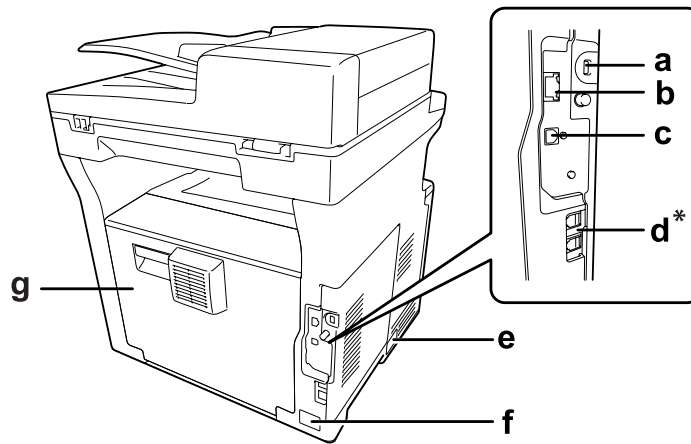


a	ADF cover*	b	Auto Document Feeder (ADF)
c	paper support	d	face-down tray
e	cover A**	f	standard lower paper cassette
g	MP tray	h	USB Host interface
i	control panel***		

* Be sure to close the ADF cover when scanning a document on the document table.

** Be sure to close cover A when scanning a document.

***The DNF model is shown in the illustration.

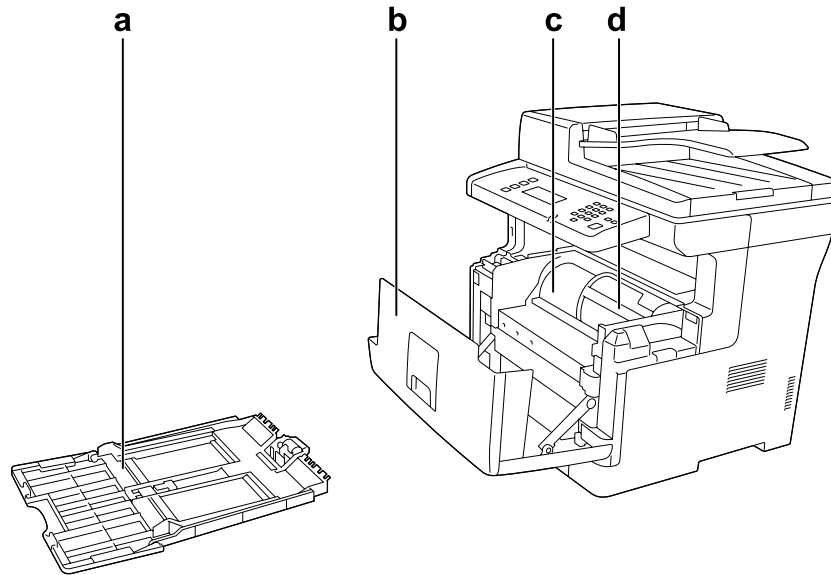
Rear view

a	security slot	b	network interface connector
c	USB interface connector	d	telephone interface connector* - LINE: Connects with the phone cord - EXT: Connects with an external telephone
e	power switch	f	AC inlet
g	cover B		

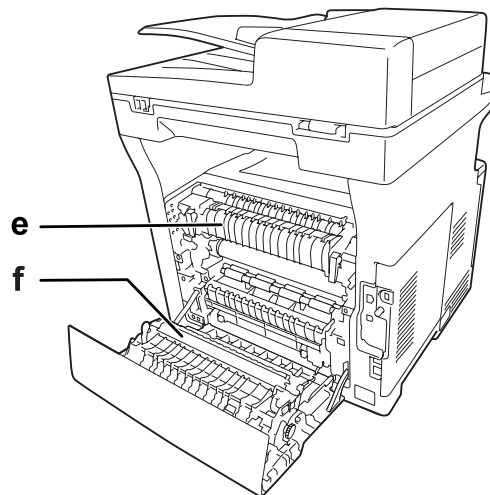
* DNF model only

Inside the printer

Front view



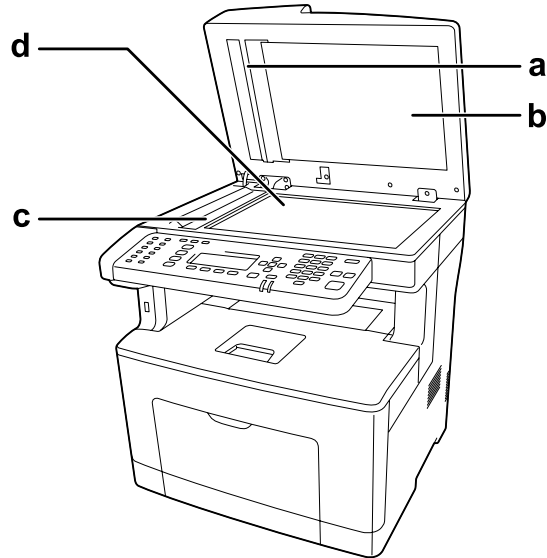
Rear view



a	MP tray	b	cover A
c	photoconductor unit	d	toner cartridge
e	fuser unit	f	transfer roller

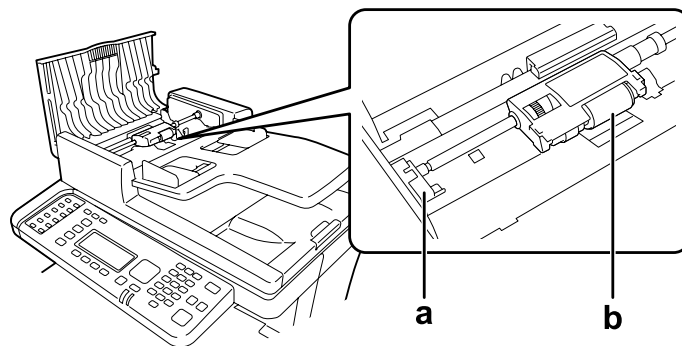
Scanner parts

Front view



a	white plate	b	document cover
c	exposure window for ADF	d	document table

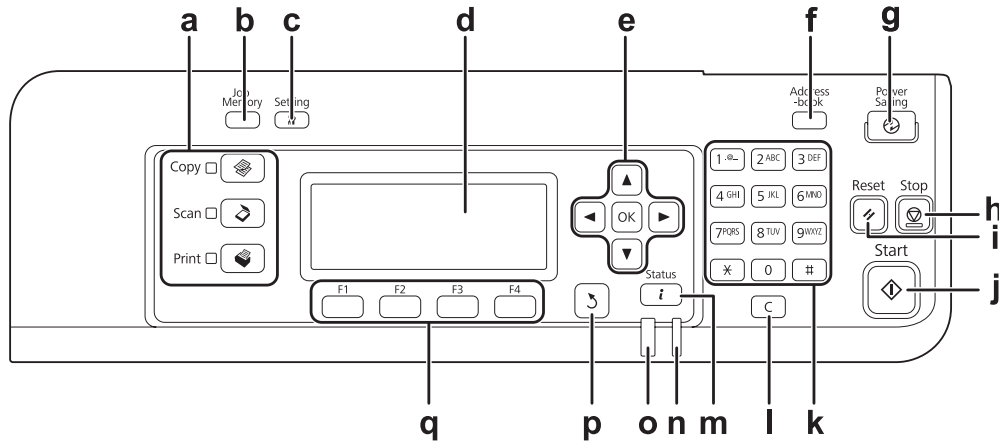
Inside the scanner



a	ADF pickup module release lever
b	ADF pickup module

Control panel

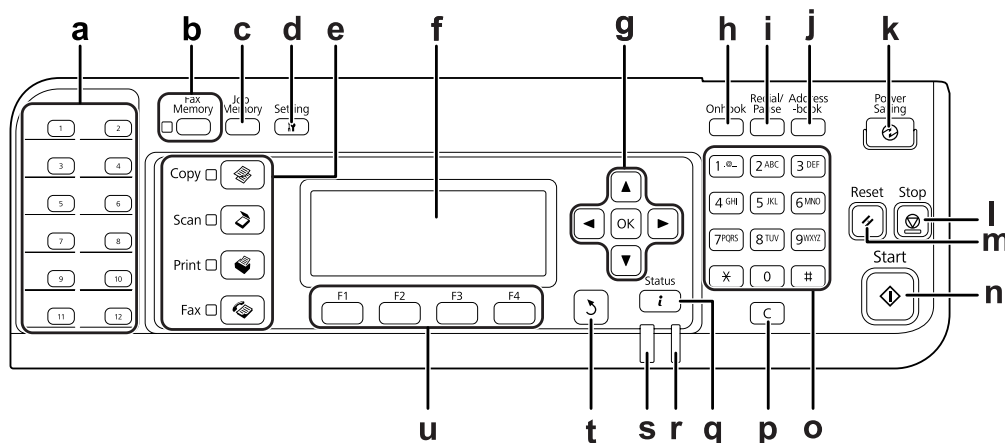
DN model



a	Mode buttons/LEDs (Green)	Use these buttons to switch to the corresponding mode.
b	Job Memory button	Use this button to register frequently used settings for Copy mode and Scan mode or to call up the settings.
c	Setting button	Use this button to switch to the setup mode.
d	LCD panel	Displays printer status messages and control panel menu settings.
e	OK button Up button Right button Down button Left button	Use these buttons to access the control panel menus, where you can make printer settings and check the status of consumable products. For instructions on how to use these buttons, see "Using the Control Panel" on page 125.
f	Address-book button	Use this button to display the information registered in the address list.
g	Power Saving button/LED (Green)	Use this button to enter the power saving mode. This mode is canceled when the button is pressed again. This button lights up when the printer is in the sleep mode (the deep sleep mode). For EU model, the printer has a power off mode which saves more power consumption as almost all functions are not available. For more details about the power off mode, see "Energy Saver Menu" on page 139.
h	Stop button	When the printer is printing, pressing this button stops the printing.

i	Reset button	Use this button to reset the selected setting item or mistakenly entered values to the default value.
j	Start button	Use this button to start a copy or scan.
k	Numeric key pad	Used to enter the number of copies or a zoom value in Copy mode. Also, enters numeric values, such as the Time Setting in Setup Menu.
l	Clear button	Use this button to clear the number of copies or delete a character when entering a text or numbers.
m	Status button	Use this button to check the status of print and copy jobs, the usage of consumable products, and any warnings.
n	Data light (Green)	On when print data is stored in the print buffer (the section of printer memory reserved for receiving data) but not yet printed. Flashes when the printer is processing data. Off when no data remains in the print buffer.
o	Error light (Orange)	On or flashes when an error has occurred.
p	Return button	Use this button to return to a higher hierarchical level while doing settings.
q	Function buttons (F1 to F4)	Use this button to move to a menu displayed on the LCD panel.

DNF model



a	Quick-Dial buttons (1 to 12)	Use these buttons to transmit a fax to a registered fax number assigned to the corresponding button.
b	Fax Memory button/LED (Green)	Use this button to display the fax document list stored in the printer's memory.
c	Job Memory button	Use this button to register frequently used settings for Copy mode and Scan mode or to call up the settings.

d	Setting button	Use this button to switch to the setup mode.
e	Mode buttons/LEDs (Green)	Use these buttons to switch to the corresponding mode.
f	LCD panel	Displays printer status messages and control panel menu settings.
g	OK button	Use these buttons to access the control panel menus, where you can make printer settings and check the status of consumable products. For instructions on how to use these buttons, see "Using the Control Panel" on page 125.
	Up button	
	Right button	
	Down button	
	Left button	
h	Onhook button	Use this button to switch between on-hook and off-hook.
i	Redial/Pause button	Use this button to redial to the same fax number called previously or to insert a pause (-) when dialing a number.
j	Address-book button	Use this button to display the information registered in the address list.
k	Power Saving button/LED (Green)	Use this button to enter the power saving mode. This mode is canceled when the button is pressed again. This button lights up when the printer is in the sleep mode (the deep sleep mode).
l	Stop button	When the printer is printing, pressing this button stops the printing.
m	Reset button	Use this button to reset the selected setting item or mistakenly entered values to the default value. Also, use this button to delete one character from the entered data when entering a recipient fax number in Fax mode.
n	Start button	Use this button to start a copy, scan, or fax transmission.
o	Numeric key pad	Used to enter the number of copies or a zoom value in Copy mode. Also, enters numeric values, such as the Time Setting in Setup Menu.
p	Clear button	Use this button to clear the number of copies or delete a character when entering a text or numbers.
q	Status button	Use this button to check the status of print, copy, and fax jobs, the usage of consumable products, and any warnings.
r	Data light (Green)	On when print data is stored in the print buffer (the section of printer memory reserved for receiving data) but not yet printed. Flashes when the printer is processing data. Off when no data remains in the print buffer.
s	Error light (Orange)	On or flashes when an error has occurred.
t	Return button	Use this button to return to a higher hierarchical level while doing settings.

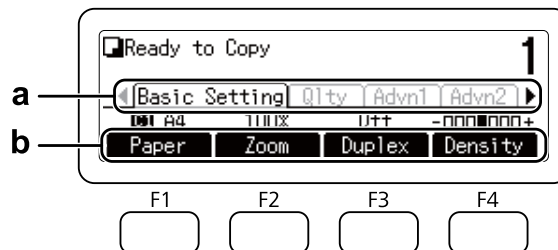
u	Function buttons (F1 to F4)	Use this button to move to a menu displayed on the LCD panel.
---	--	---

LCD menu list

LCD menu contents vary according to the function or operation that you choose.

Note:

The screen below uses the Basic Setting display in Copy mode.



- Use ◀ or ▶ button to select tabs.
- Use the **F1** to **F4** button to select.

Mode	Tab	F1	F2	F3	F4
Copy	Basic Setting	Paper	Zoom	Duplex	Density
	Quality	Doc Type	-	-	Other
	AdvnSetting1	Layout	RmvShadow	BindMargn	-
	AdvnSetting2	ID Card	Full Copy	ScanCont.	Collate
Scan	(Select function)	USB Mem	Folder	E-mail	PC* ¹
	Basic Setting	Save to/E-mail* ²	Doc Size	Doc Type	ADF Dup
	File Setting	Header	Format	PDF	Color Mode
	Scan Setting	Density	Resolut.	ComprsRat	ADF Cont.
Print * ³	(Select function)	USB Mem	Password* ⁴	QuickPrn* ⁴	-

Mode	Tab	F1	F2	F3	F4
Fax ^{*5}	Basic Setting	Doc Size	Quality	ADF Dup	Density
	Advanced	Fax Speed	Time	ADF Cont.	-
	Function	Mem Rate	RceiveMem ^{*6}	-	-

*1 Displayed only when **Setting** - Scan Settings - Network Scan is set to Permit.

*2 Varies depending on the function you select. Not displayed when USB Mem is selected.

*3 Varies depending on the function you select.

*4 Displayed only when **Setting** - Common Settings - Setup Menu - RAM Disk is set to Normal or Maximum.

*5 DNF model only

*6 Displayed only when **Setting** - Fax Settings - Reception Settings - Memory Reception is set to Specify Time or Always.

Options

You can add to your printer's capabilities by installing any of the following options.

250-Sheet Paper Cassette Unit (C12C802791)

This unit increases paper feeding capacity up to 250 sheets of paper. You can install only one unit on your printer.

Consumable Products

The life of the following consumable products is monitored by the printer. The printer lets you know when replacements are needed.

Product name	Product code
Standard Capacity Toner Cartridge (Black)	0690
High Capacity Toner Cartridge (Black)	0689
Return High Capacity Toner Cartridge (Black)	0691

Return toner cartridge is not sold in some areas. Contact your local Epson dealer/representative about the availability of the Return toner cartridge scheme.

Maintenance Parts

The life of the following maintenance parts is monitored by the printer. The printer lets you know when replacements are needed.

Product name	Product code
Photoconductor Unit (Black)	1228
Fuser Unit	3049/3050

Note:

- Fuser unit part numbers vary by location.

Printer Features

Printing

You can directly print files saved in a USB memory by plugging the USB memory into the USB Host interface.

- “Printing Directly from a USB Memory” on page 75

Various printer drivers are available.

- “About the Printer Software” on page 250
- “Printing” on page 56

Copying

Various copying functions are available such as duplex copying and zoom copying.

- “Copying” on page 99

Scanning

You can scan a document using the printer's control panel and store the data on a USB memory or in a shared folder on the network, or send the data as an e-mail attachment.

- “Saving scanned data to a USB memory” on page 81
- “Saving scanned data to a shared folder” on page 82
- “Sending scanned data by e-mail” on page 84

Faxing

You can send faxes from a computer by using EpsonNet PC-FAX.

- “Sending faxes from your computer” on page 114

You can store received fax data in a shared folder on the network or send it as an e-mail attachment.

- “Sending received faxes to memory” on page 118
- “Sending received faxes to a shared folder” on page 119
- “Sending received faxes by e-mail” on page 119
- “Forwarding a received fax” on page 119

Where to Find Information

Setup Guide

Provides you with information on assembling the printer and installing the printer software.

User's Guide (this manual)

Provides you with detailed information on the printer's functions, optional products, maintenance, troubleshooting, and technical specifications.

Network Guide

Provides network administrators with information on both the printer driver and network settings.

Font Guide

Provides you with information on fonts used on the printer.

OSS

Provides the detailed explanation about the open source software programs contained in this printer.

Online Help for each printer software

Click **Help** for detailed information and instructions on each printer software that controls your printer. Online help is automatically installed when you install the printer software.

Chapter 2

Paper Handling

Loading Paper into Your Printer

This section describes how to load paper. If you use special media such as envelopes, see also “Selecting and Using Print Media” on page 45. For specifications or details about the paper types and sizes, see “Paper” on page 267.

**Important:**

Do not let the paper's edge slide across your skin because the edge of the paper may cut you.

Note:

This printer does not automatically detect paper sizes in the paper sources. Make sure to specify a paper size using the Tray Menu on the control panel. The factory default paper size for all of the paper sources is A4.

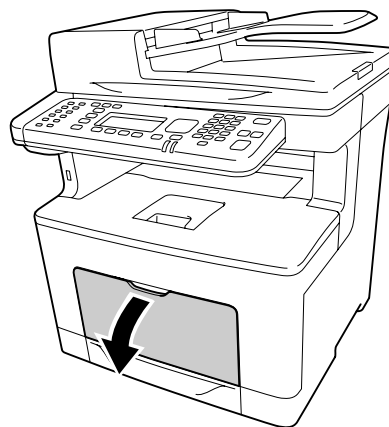
MP tray

The MP tray (Multi-purpose tray) is the paper source that is available for various types of paper, such as labels, envelopes, and thick paper.

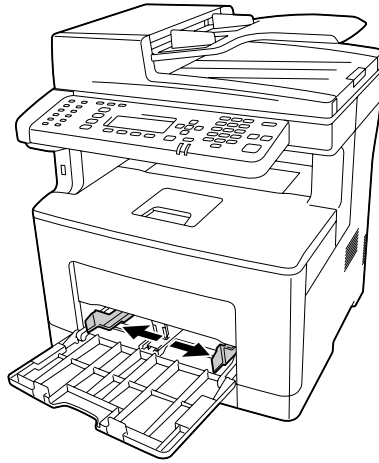
Note:

To load envelopes, see “Envelopes” on page 46.

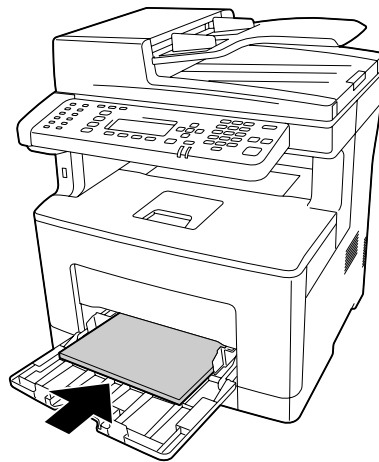
1. Open the MP tray.



2. Slide the paper guides to accommodate the paper you are loading.

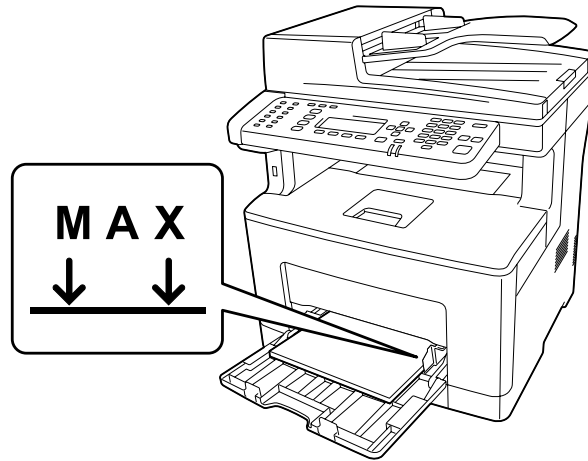


3. Load a stack of the desired paper with the printable surface facing up. Then slide the paper guides to get a snug fit.



Note:

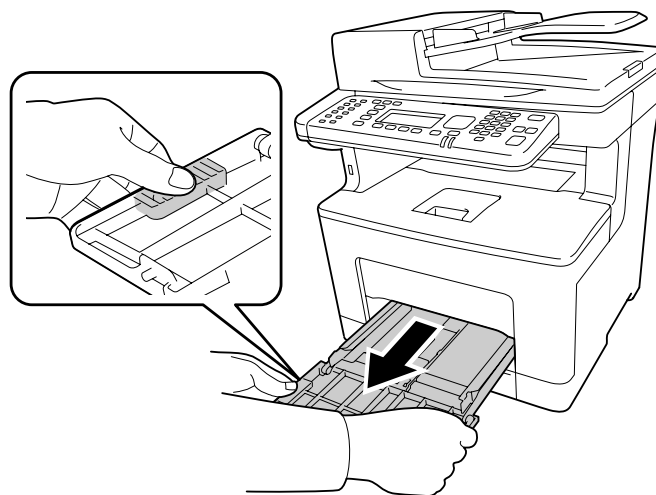
- ❑ *Make sure that you do not load paper beyond the limit mark.*



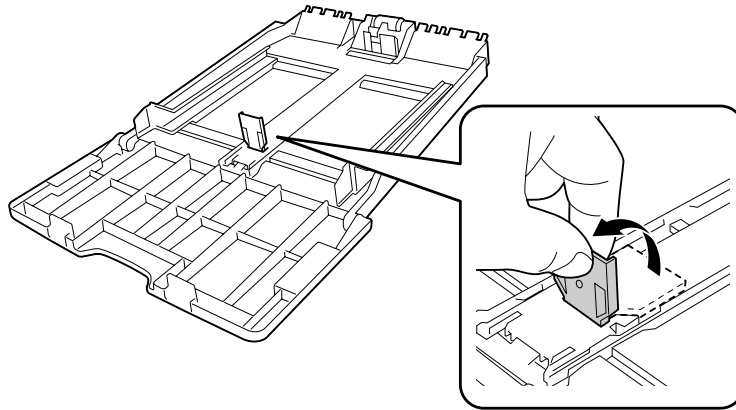
- ❑ *After loading paper, set the MP Tray Size and MP Tray Type settings to match the loaded paper size and type on the control panel. For details, see “Tray Menu” on page 141.*

When loading A5 or smaller paper on the MP tray

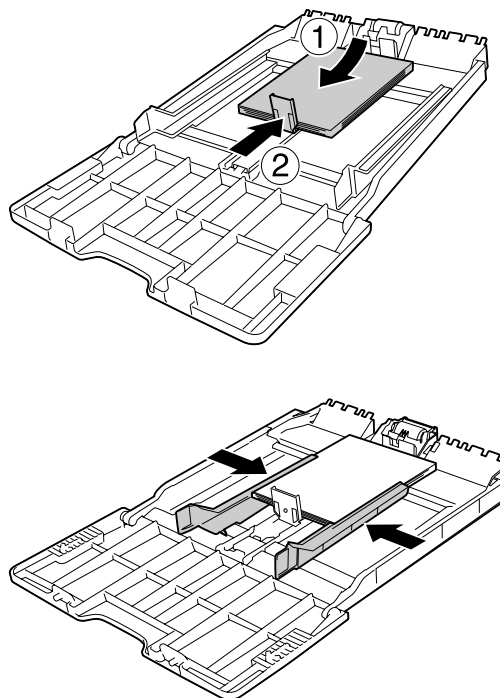
1. Pull out the MP tray.



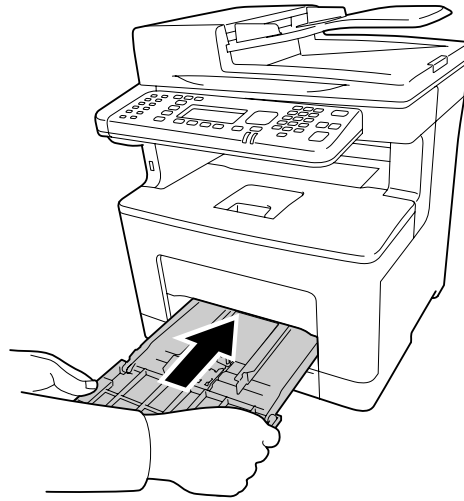
2. Pull up the paper guide in the center of the MP tray.



3. Load a stack of the desired paper on the MP tray with the printable surface facing up. Then slide the paper guides to get a snug fit.



4. Insert the MP tray into the printer.



Note:

After loading paper, set the MP Tray Size and MP Tray Type settings to match the loaded paper size and type on the control panel. For details, see “Tray Menu” on page 141.

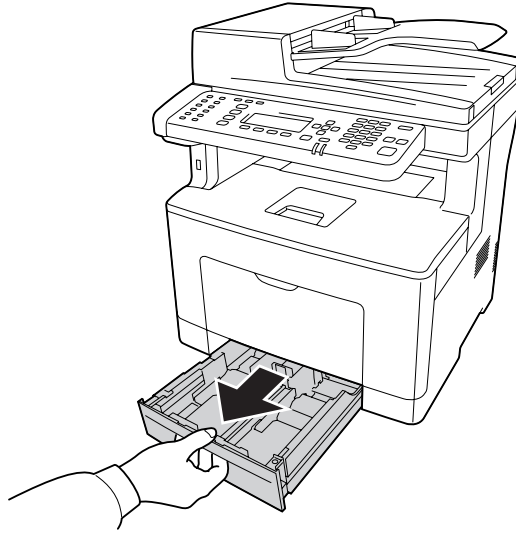
Paper cassette

This cassette gives you a second paper source in addition to the MP tray.

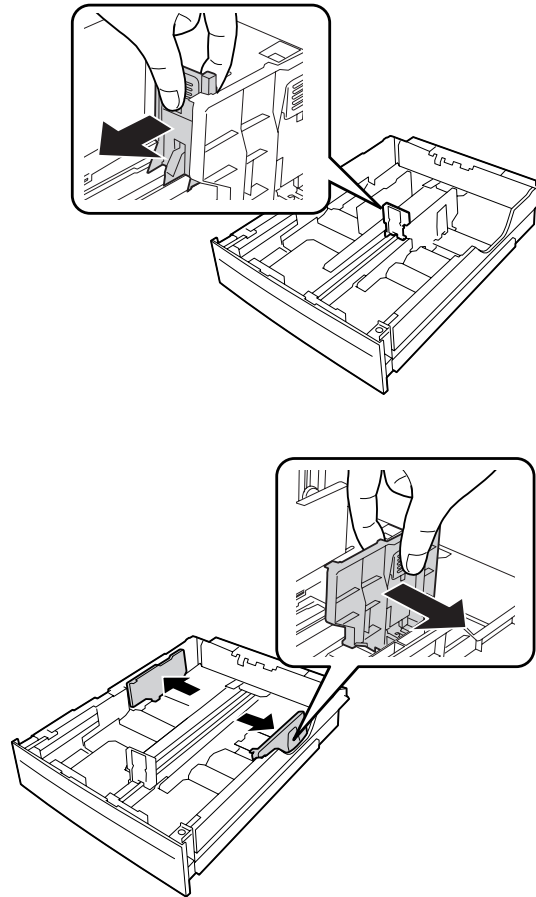
Note:

Perform the same procedure to load paper into the optional paper cassette.

1. Pull out the paper cassette.



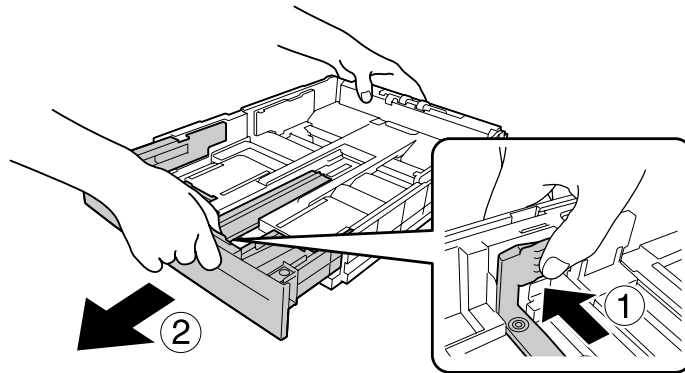
2. Pinch the knobs and slide the paper guides to accommodate the paper you are loading.



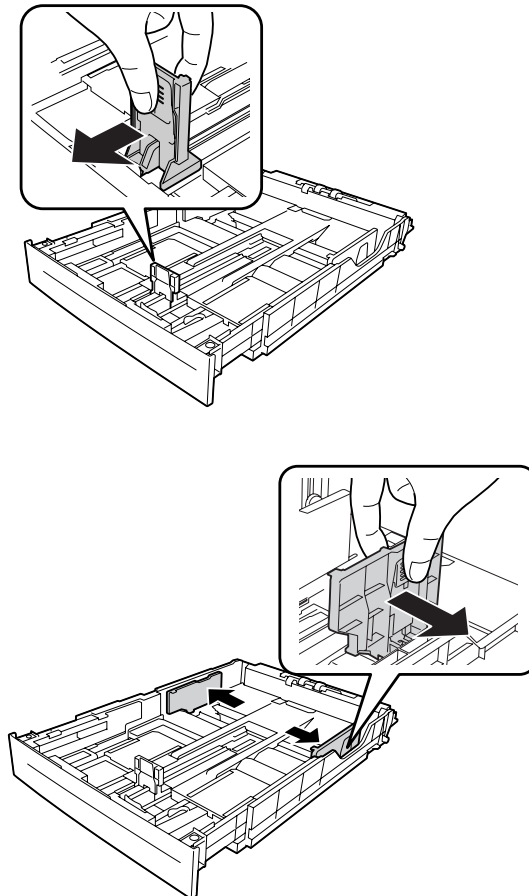
Note:

When loading paper that is 13" or 14" portrait, extend the paper cassette. If you do not need to extend the paper cassette, go to step 5.

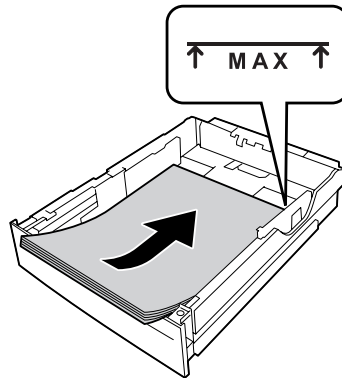
3. Pinch the knobs and pull out the paper tray to extend the paper cassette and align the arrow marks according to the paper size.



4. Pinch the knobs and slide the paper guide to accommodate the paper you are loading.



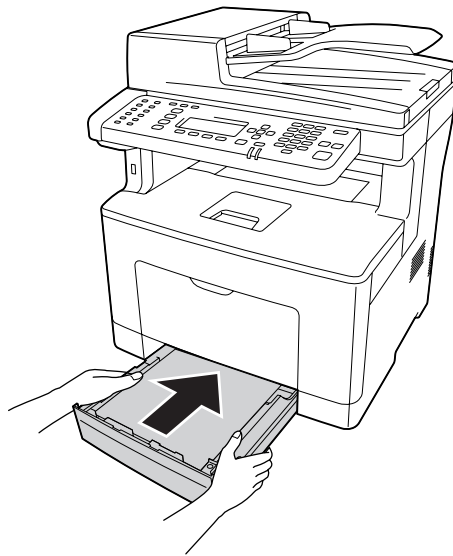
5. Load a stack of the desired paper on the center of the paper cassette with the printable surface facing up.



Note:

Make sure that you do not load paper beyond the limit mark.

6. Reinsert the paper cassette into the printer.

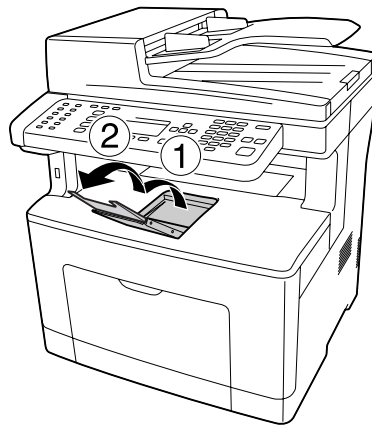


Note:

*After loading paper, set the **Cassette1 Size** and **Cassette1 Type** settings to match the loaded paper size and paper type on the control panel. For details, see “Tray Menu” on page 141.*

Output Tray

The output tray is located on the top of the printer. Since printouts are output face-down, this tray is also referred to as the face-down tray. Up to 150 sheets can be stacked when using the plain paper. Extend the paper support to accommodate the size of the paper loaded in the MP tray or lower paper cassette to prevent it from slipping off the printer.



Selecting and Using Print Media

You can use special media, such as labels, envelopes, and thick paper.

When loading special media, you should make paper settings. You can also make these settings on the **Tray Menu** in the control panel. See “**Tray Menu**” on page 141.

Note:

Since the quality of any particular brand or type of media may be changed by the manufacturer at any time, Epson cannot guarantee the quality of any type of media. Always test samples of media stock before purchasing large quantities or printing large jobs.

Labels

Available labels

- Labels designed for laser printers or plain-paper copiers
- Labels that completely cover the backing sheet, with no gaps between the individual labels

Available paper source

- MP tray
- Lower paper cassette

Printer driver settings**MP tray**

	Printer driver settings
Paper Size	A4, A5, A6, B5, LT, HLT, LGL, GLT, GLG, EXE, F4
Paper Source	MP Tray
Paper Type	Labels

Lower paper cassette

	Printer driver settings
Paper Size	A4, LT
Paper Source	Cassette 1, Cassette 2*
Paper Type	Labels

* Available only when the optional paper cassette unit is installed.

Note:

- Depending on the quality of labels, the printing environment, or the printing procedure, labels might be wrinkled. Make a trial print run before you print on a lot of labels.
- Duplex printing is not available for labels.
- Press a sheet of paper on top of each sheet of labels. If the paper sticks, do not use those labels in your printer.

Envelopes**Available envelopes**

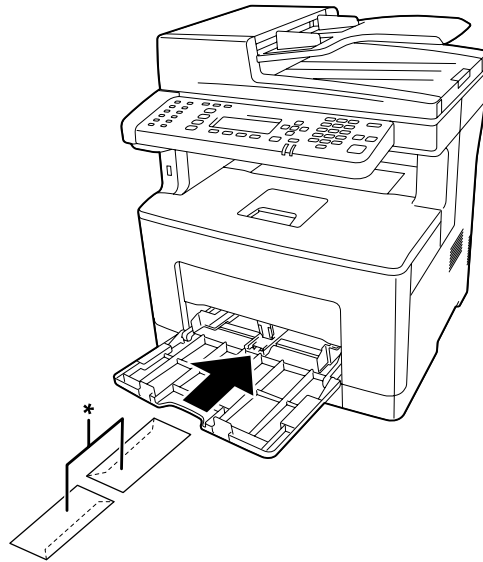
- Envelopes that have no glue or no tape

**Important:**

Do not use window envelopes. The plastic on most window envelopes will melt.

Available paper source

- MP tray



* MON, DL, C6

Printer driver settings

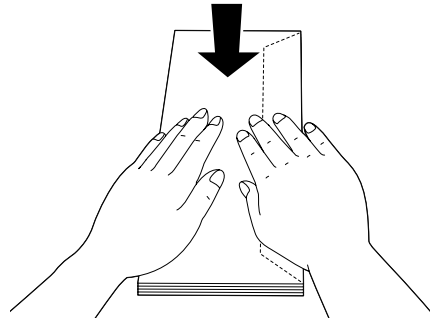
MP tray

	Printer driver settings
Paper Size	MON, DL, C6
Paper Source	MP Tray
Paper Type	Envelope

Note:

- Depending on the quality of envelopes, the printing environment, or the printing procedure, envelopes might be wrinkled. Make a trial print run before you print on a lot of envelopes.
- Duplex printing is not available for envelopes.

- ❑ *If you do not load envelopes in the MP tray right after they have been removed from the packaging, they may bulge. To avoid jams, flatten them as shown below before loading them in the MP tray.*



- ❑ *If envelopes do not feed well, reducing the number of envelopes that are loaded may solve the problem.*

Thick paper

Available paper source

- ❑ MP tray
- ❑ Lower paper cassettes

Printer driver settings

MP tray

	Printer driver settings
Paper Size	A4, A5, A6, B5, LT, HLT, LGL, GLT, GLG, EXE, F4
Paper Source	MP Tray
Paper Type	Thick (for 106 to 163 g/m ² paper), Extra Thick (for 164 to 216 g/m ² paper)

Lower paper cassettes

	Printer driver settings
Paper Size	A4, A5, A6* ¹ , B5, LT, HLT, LGL, GLT, GLG, EXE, F4
Paper Source	Cassette 1, Cassette 2* ²
Paper Type	Thick (for 106 to 163 g/m ² paper), Extra Thick (for 164 to 216 g/m ² paper)

*¹ Available only for Cassette 1.

*² Available only when the optional paper cassette unit is installed.

Note:

- Duplex printing is not available for Extra Thick.*
- If performing manual duplex (2-sided) printing, ensure that the paper is not curled.*

Custom paper size**Available paper source**

- MP tray
- Lower paper cassettes

Printer driver settings**MP tray**

	Printer driver settings
Paper Size	User Defined Size*
Paper Source	MP Tray
Paper Type	Plain, Semi-Thick, Preprinted, Letterhead, Recycled, Color, Labels, Thick, Extra Thick, Special

* 76.2 × 127 mm at minimum and 215.9 × 355.6 mm at maximum.

Lower paper cassettes

	Printer driver settings
Paper Size	User Defined Size ^{*1}
Paper Source	Cassette 1, Cassette 2 ^{*2}
Paper Type	Plain, Semi-Thick, Preprinted, Letterhead, Recycled, Color, Labels, Thick, Extra Thick, Special

^{*1} 76.2 × 127 mm at minimum and 215.9 × 355.6 mm at maximum for Cassette 1
 139.7 × 210 mm at minimum and 215.9 × 355.6 mm at maximum for Cassette 2

^{*2} Available only when the optional paper cassette unit is installed.

Note:

- Depending on the quality of the non-standard size paper, the printing environment, or the printing procedure, the paper might skew. Make a trial print run before you print on a lot of non-standard size paper.
- Duplex printing is not available for Labels and Extra Thick.
- For Windows, access the printer driver, then select **User Defined Size** from the Paper Size list on the Basic Settings tab. In the User defined Paper Size dialog box, adjust the Paper Width, Paper Length, and Unit settings to match your custom paper. Then click **OK** and your custom paper size will be saved.
- The saved paper sizes can only be used with the printer driver you saved them to. Even if multiple printer names are set for a printer driver, the settings can be available only for the printer name in which you saved the settings.
- When sharing the printer on a network, you cannot create User Defined Size at the client.
- If you cannot use the printer driver as explained above, make this setting at the printer by accessing the control panel's Printing Menu and selecting CTM (custom) as the Page Size setting.

Setting Your Originals

Before scanning a document, remember to respect the rights of copyright owners. Do not scan published text or images without first checking their copyright status.

Paper size

The following sizes of documents can be placed on the document table or in the Auto Document Feeder.

Document source		Paper size
Document table		8.5 × 11.7 inch (Maximum paper size)
Auto Document Feeder	Copy:	A4, A5, B5, LT, HLT, LGL, GLT, GLG, EXE, F4
	Scan:	A4, A5, B5, LT, HLT, LGL, GLT, GLG, EXE, F4
	Fax:	A4, LT, LGL

Paper type for the Auto Document Feeder

You can use the following documents with the Auto Document Feeder.

Paper Type	Plain paper, High-quality paper, Recycled paper, Page printer paper, Ink jet paper
Capacity	Up to 50 sheets (75 g/m ²)
Weight	60 to 125 g/m ²

Paper direction

When you place document pages sideways, set them so that the top of the document is toward the left side of the printer.

Note:

For duplex copying or duplex scanning, specify the document direction in the Document Direction Selection menu. For details, see “Duplex Copying” on page 101.

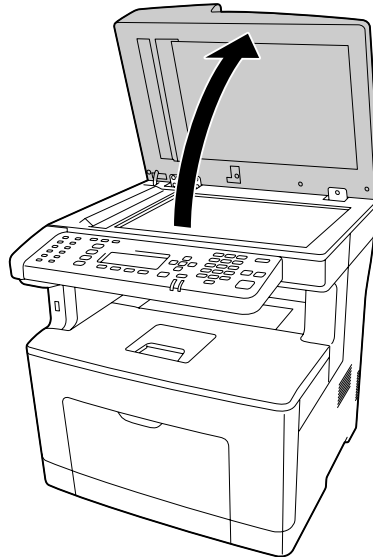
Setting your originals on the document table

When using the document table, set an original one sheet at a time.

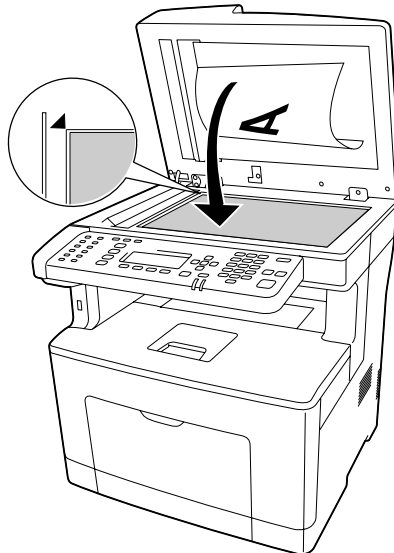
**Important:**

- ❑ Do not place heavy objects on the glass surface of the document table. Also, do not press the glass surface with too much force.
- ❑ Be sure to close the ADF cover when scanning a document on the document table.

1. Open the document cover gently.

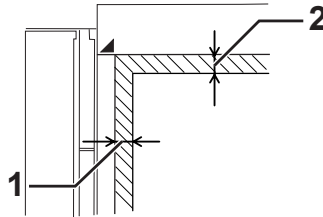


2. Place an original on the document table, with the side to be scanned facing down.



Note:

- ❑ *The area with a width of maximum 1.0 mm from the horizontal edge and 1.0 mm from the vertical edge is not scanned.*
 1. *Maximum unreadable area of 1.0 mm*
 2. *Maximum unreadable area of 1.0 mm*



- ❑ *Always keep the document table clean.*
3. Close the document cover gently so that the original does not move.

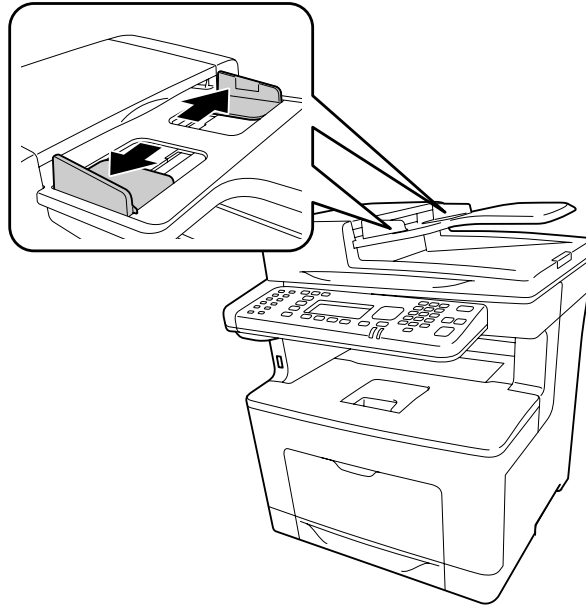
Note:

- ❑ *Do not leave documents, such as photographs, on the document table for an extended period of time because they may stick to the glass.*
- ❑ *Make sure the document is flat against the glass surface, otherwise the image will appear fuzzy and out of focus. Also be sure to close the document cover to prevent interference from external light.*

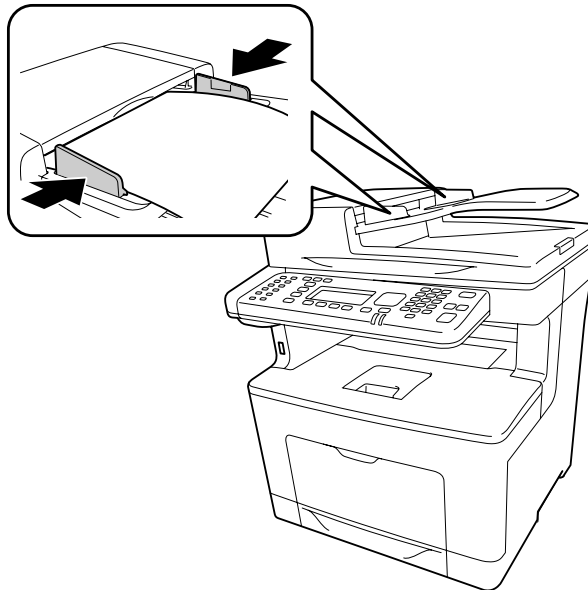
Setting your originals into the Auto Document Feeder

Follow the steps below to load documents in the Auto Document Feeder.

1. Slide the edge guides all the way outward.



2. Insert a stack of documents face-up in the Auto Document Feeder until it meets resistance, and then move the edge guides so they are flush with the edges of your documents.



3. Raise the paper support.

Note:

- ❑ *Make sure the ADF cover is closed firmly. If the ADF cover is open, the document table is preemptively scanned and a blank copy is output even if an original is set in the Auto Document Feeder.*
- ❑ *If you load multiple pages in the Auto Document Feeder, the pages will be fed from the top and then ejected face-down.*

Chapter 3

Printing

Setting the Print Quality

You can change the print quality of printouts through settings in the printer driver.

In the Automatic setting, you can select a print mode according to your printing purpose. The printer driver makes optimal settings depending on the print mode you have selected. In the Advanced setting, you have more setting options.

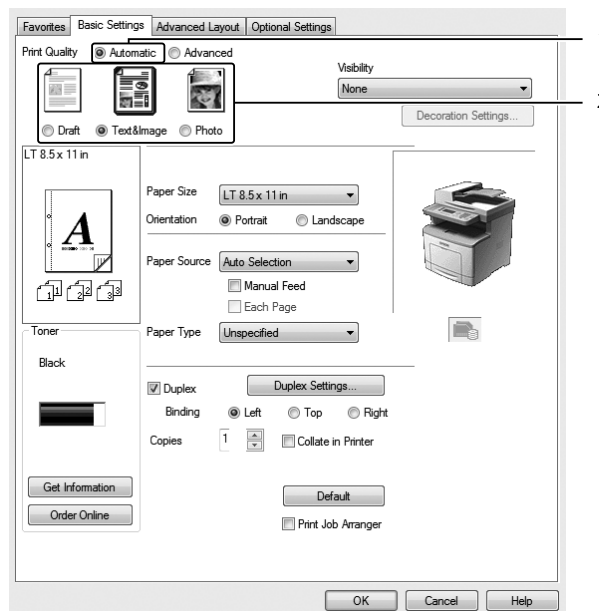
Note:

The printer driver's online help provides details on printer driver settings.

Using the Automatic setting

For Windows users

1. Click the **Basic Settings** tab.
2. Click **Automatic**, then choose desired printing quality.

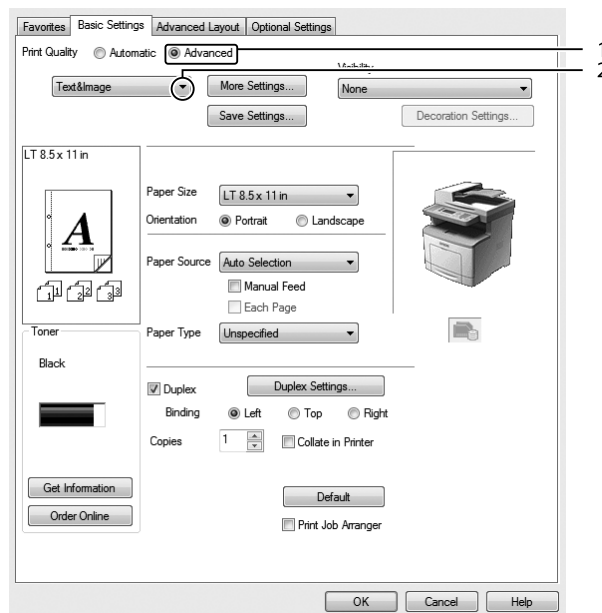


3. Click **OK**.

Using the Advanced setting

For Windows users

1. Click the **Basic Settings** tab.
2. Select **Advanced**. Then select the most appropriate setting from the list according to the type of document or image you want to print.



When you choose a predefined setting, other settings such as Print Quality and Graphics are set automatically. Changes are shown in the current settings list on the Setting Information dialog box that appears by pressing the **Setting Info** button on the Optional Settings tab.

Customizing print settings

If you need to change detailed settings, make the settings manually.

For Windows users

1. Click the **Basic Settings** tab.

2. Select **Advanced**, then click **More Settings**.
3. Make appropriate settings. For details about each setting, see online help.
4. Click **OK**.

Saving your settings

You can save your custom settings.

Note:

- You cannot use a predefined setting name for your custom settings.*
- The saved custom settings can only be used with the printer driver you saved them to. Even if multiple printer names are set for a printer driver, the settings can be available only for the printer name in which you saved the settings.*
- You cannot delete predefined settings.*

For Windows users

Note:

When sharing the printer on a network, Save Settings is grayed out and you cannot create a custom setting at the client.

1. Click the **Basic Settings** tab.
2. Select **Advanced**, then click **Save Settings** to open the Custom Settings dialog box.
3. Type a name for your custom settings in the Name box, then click **Save**.

Your settings will appear in the drop-down list which appears when Advanced is selected on the Basic Settings tab.

Note:

*To delete a custom setting, follow the step 1 and 2, select the setting in the Custom Settings dialog box, then click **Delete**.*

You can create new settings in the More Settings dialog box. When you create new settings, Custom Settings is displayed in the list on the Basic Settings tab. In this case, the original setting is not overwritten. To save the new settings, save them under a new name.

Toner Save mode

To reduce the amount of toner used in printing documents, you can print rough drafts using the Toner Save mode.

For Windows users

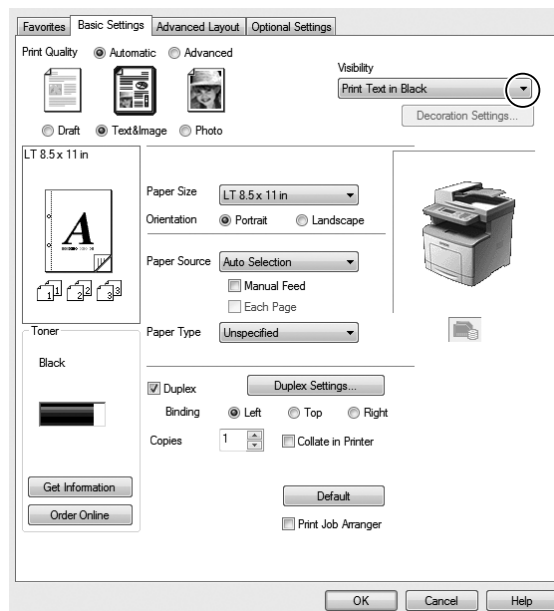
1. Click the **Basic Settings** tab.
2. Select **Advanced**, then click **More Settings** to open the More Settings dialog box.
3. Select the **Toner Save** check box, then click **OK**.

Improving the clarity of color documents

Printing text clearly in black

When you print a color document, the quality of text can be made more legible by printing it in black.

1. Click the **Basic Settings** tab.
2. Select **Print Text in Black** from the Visibility drop-down list.



3. Click **OK**.

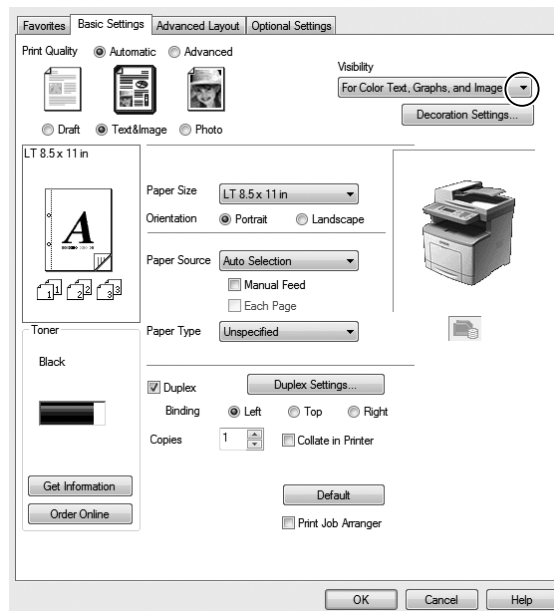
Enhancing color documents

When you print a color document, the quality of document can be improved by printing text, graphs, and images enhanced with black.

Note:

- This function is only for Microsoft Office Excel, Word, and PowerPoint in Windows XP, 2003, 2007, and 2010.
- Set **Grayscale to On** when you print from Microsoft PowerPoint.
- Text, that is 96 pt or larger, cannot be enhanced.
- Images, such as photos, in print data may have low quality.
- Printing speed may slow down.
- The amount of toner consumed may increase with some color documents.

1. Click the **Basic Settings** tab.
2. Select **For Color Text, Graphs, and Images** from the **Visibility** drop-down list.



Note:

You can select **For Color Text** when you print only text and **For Color Graphs and Images** when you do not need to enhance texts.

3. Click **Decoration Settings**, and select appropriate settings in the Decoration Settings dialog box.

Adjusting the weight of thin lines

Thin lines can be printed in thicker lines as visible.

1. Click the **Basic Settings** tab.
2. Select **Advanced**, then click **More Settings** to open the More Settings dialog box.
3. Select the **Emphasize Thin Lines** check box, then click **OK**.

The default setting for the Emphasize Thin Lines is on.

Setting the Advanced Layout

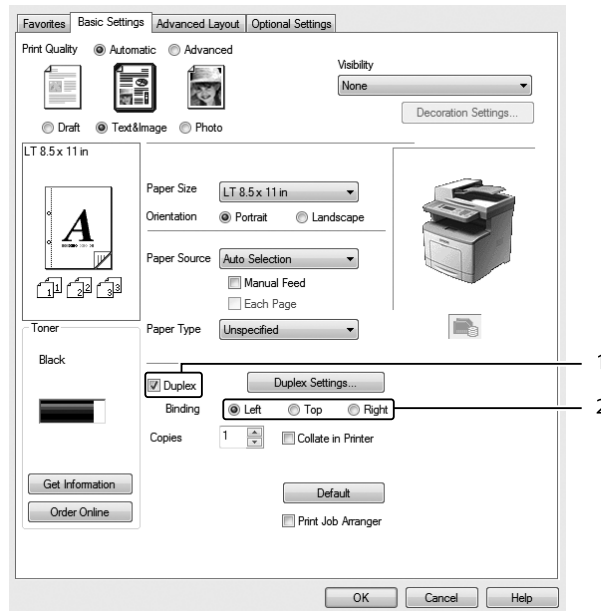
Duplex printing

This function allows you to print on both sides of the paper automatically.

For Windows users

1. Click the **Basic Settings** tab.

2. Select the **Duplex** check box, then select **Left**, **Top**, or **Right** as the binding position.



3. If you want to make detailed settings, click **Duplex Settings** to open the Duplex Settings dialog box.
4. Make appropriate settings. For details about each setting, see online help.
5. Click **OK**.

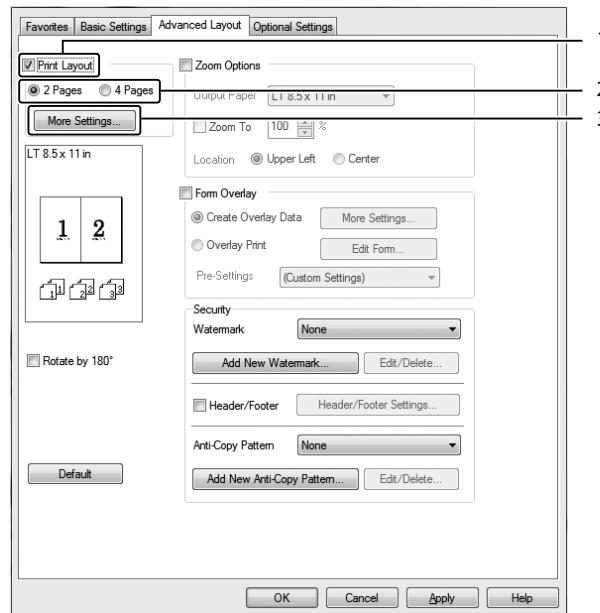
Modifying the print layout

This function allows you to print multiple pages on single sheets of paper.

For Windows users

1. Click the **Advanced Layout** tab.
2. Select the **Print Layout** check box and the number of pages you want to print on one sheet of paper.

- If you want to make detailed settings, click **More Settings**. The Print Layout Settings dialog box appears.



- Make appropriate settings. For details about each setting, see online help.
- Click **OK**.

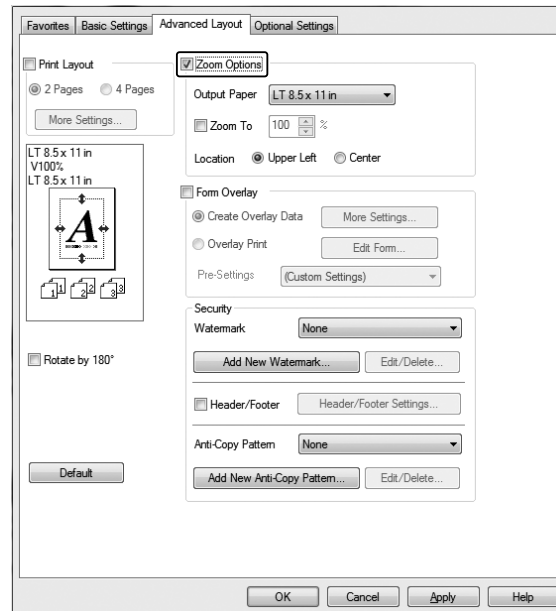
Resizing printouts

This function allows you to enlarge or reduce your document.

For Windows users

- Click the **Advanced Layout** tab.

2. Select the **Zoom Options** check box.



3. If you want to resize pages automatically to fit the output paper, select the desired paper size from the Output Paper drop-down list.
If you want to resize pages by a specified magnification, select the **Zoom To** check box, then specify the percentage. You can also select the output paper size.
4. Select **Upper Left** (to print reduced page image at upper left corner of the paper) or **Center** (to print reduced page image with centering) for Location setting.

Note:

*This setting is not available when you select **Zoom To** check box.*

5. Click **OK**.

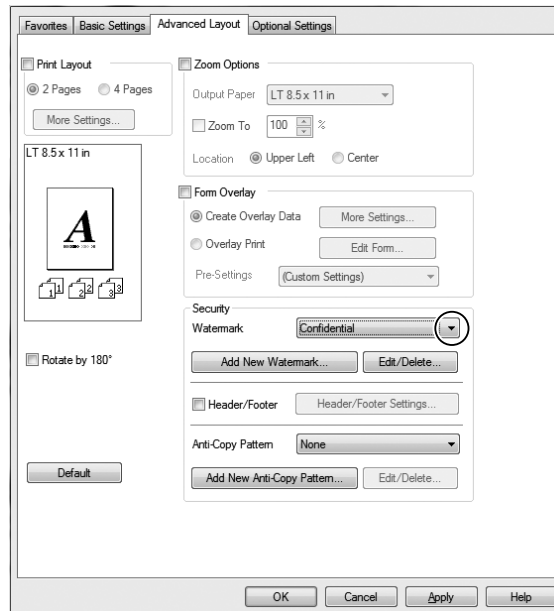
Printing watermarks

This function allows you to print a text-based or image-based watermark on your document.

For Windows users

1. Click the **Advanced Layout** tab.

2. Select a watermark that you want to use from the Watermark drop-down list.



3. If you want to make detailed settings, click **Edit/Delete**, and make appropriate settings. For details about each setting, see online help.
4. Click **OK**.

Making a new watermark

For Windows users

1. Click the **Advanced Layout** tab.
2. Click **Add New Watermark**.
3. Select **Text** or **BMP** and type a name for the new watermark in the Name box.
4. If you select **Text**, type the watermark text in the Text box. If you select **BMP**, select the BMP file you want to use, then click **Open**.
5. Click **OK**.

Note:

- ❑ You can register up to 10 original watermarks.

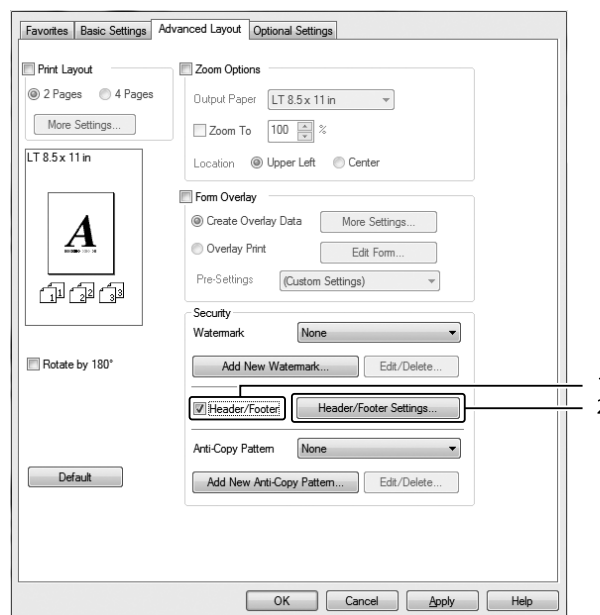
- ❑ To edit the saved watermark, click **Edit/Delete** on the Advanced Layout tab, select the watermark you want to edit in the Name box, and make appropriate settings, then click **OK**.
- ❑ To remove the saved watermark, click **Edit/Delete** on the Advanced Layout tab, select the watermark you want to delete in the Name box, then click **Delete**.
- ❑ The saved watermarks can only be used with the printer driver you saved them to. Even if multiple printer names are set for a printer driver, the settings can be available only for the printer name in which you saved the settings.
- ❑ When sharing the printer on a network, you cannot create a user defined watermark at the client.

Printing headers and footers

This function allows you to print user name, computer name, date, time, or collate number, at the top or bottom of each page in a document.

For Windows users

1. Click the **Advanced Layout** tab.
2. Select the **Header/Footer** check box, then click **Header/Footer Settings**.



3. Select the items from the drop-down list.

Note:

- If you select **Collate Number**, the number of copies is printed.
- When using the reserve job function, you cannot select Collate Number.

4. Click **OK**.

Printing with an overlay

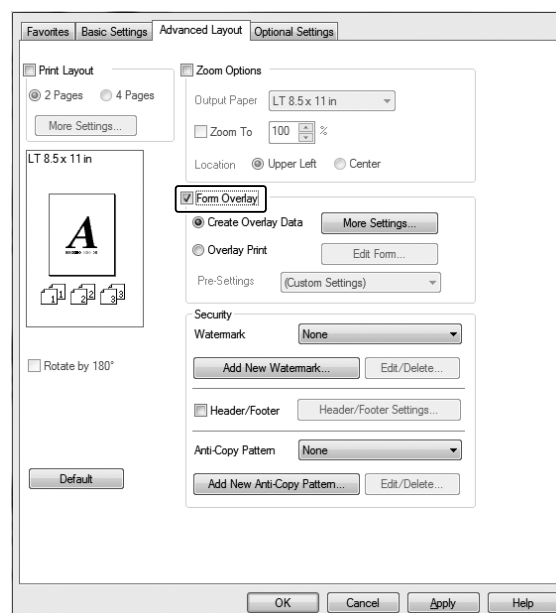
This function allows you to print a standard form or letterhead onto the original document.

Note:

- This function is for Windows only.
- The overlay function is available only when **ESC/Page** is selected for the Printing Mode in the Extended Settings dialog box from the Optional Settings tab.

Creating an overlay

1. Click the **Advanced Layout** tab.
2. Select the **Form Overlay** check box.



3. Select **Create Overlay Data**, then click **More Settings**. The Create Form dialog box appears.

4. Type the form name in the Form Name box and its description in the Description box.
5. Select **Foreground Document** or **Background Document** to specify whether the overlay will be printed as foreground or background of the document.
6. Select the **Assign to Paper Source** check box to display the form name in the Paper Source drop-down list on the Basic Settings tab.
7. Click **OK**.

Note:

- To change the settings of the overlay form data you created, access the printer driver and follow the step 1 and 2 above. Note that on the step 3, select **Overlay Print**, then click **Edit Form**.*
- The following 9 characters cannot be used for form names: \ / : * ? " < > |.*

Printing an overlaid document

You can select the registered form data from the Paper Source drop-down list on the Basic Settings tab. For registering form data in the Paper Source, see step 6 in “Creating an overlay” on page 67. If overlay form data is not registered in the Paper Source or if you want to make detailed settings, follow the steps below.

1. Click the **Advanced Layout** tab.
2. Select the **Form Overlay** check box.
3. Select the **Overlay Print** check box, then click **More Settings**. The Form Selection dialog box appears.
4. Make appropriate settings. For details about each setting, see online help.

Note:

If you cannot select the form from the application, access the printer driver from the operating system. For details, see “Accessing the printer driver” on page 250.

5. Click **OK**.

Saving an overlaid form pre-settings

This function allows you to save the settings you made from “Creating an overlay” on page 67.

1. From the Form Selection dialog box, click **Save/Delete**. To open the dialog box, see “Printing an overlaid document” on page 68.
2. Type the pre-settings name in the Form Pre-Settings Name box, then click **Save**. Your pre-settings name will appear in the Form Pre-Settings drop-down list in the Form Selection dialog box.
3. Click **OK**. Your pre-settings name will appear in the Pre-Settings drop-down list in the Advanced Layout dialog box.

Note:

- To delete an overlaid form pre-setting, follow the step 1, select the pre-settings name you want to delete from Form Pre-Settings drop-down list, click **Delete**, and then click **OK**.*
- You can save up to 20 pre-settings.*

Printing the copy-protected document

This function allows you to print a document as a copy-protected document. When you try to copy a copy-protected document, “Copy” is printed several times on the document.

Note:

- Epson will not guarantee to secure from information leakage and any other damage by using this function, nor hidden letters appear in all cases.*
- Screen-tone may be too dark, hidden letters may not be printed on the entire print, or hidden letters may not appear when photocopied depends on the models, settings, and combinations of photocopiers, fax machine, input device such as digital cameras and scanners, output device such as printers; printer driver settings of this product; condition of consumables such as toner and output paper type.*

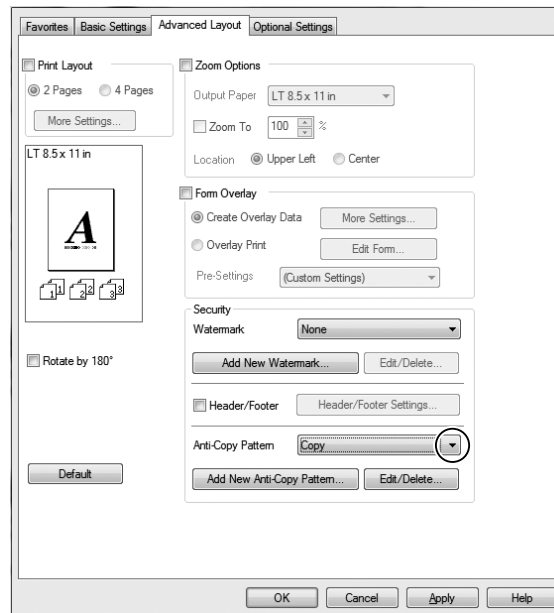
For Windows users

Note:

*With this function, the Print Quality setting is changed to **Fine**, and the Toner Save setting is disabled. Form Overlay function is also disabled.*

1. Click the **Advanced Layout** tab.

2. Select **Copy** from the Anti-Copy Pattern drop-down list.



3. If you want to make detailed settings, click **Edit/Delete**, and make appropriate settings. For details about each setting, see online help.
4. Click **OK**.

Printing Multiple Print Jobs at Once

This function allows you to print several documents created by different applications at once arranging settings, such as the printing order, duplex, and the print layout.

1. Click the **Basic Settings** tab.
2. Select the **Print Job Arranger** check box.
3. Click **OK**.

The Print Job Arranger screen appears when a print job is executed. Make appropriate settings. For details, see the Print Job Arranger help.

Using the Reserve Job Function

This function allows you to store print jobs on the printer's memory and to print them later directly from the printer's control panel. You can prevent the printed document from being looked at by other people by applying a password to the print job.

This function uses the following types of printer memory.

Printer's Storage	Description
RAM Disk	To enable the RAM disk, you have to set the RAM Disk setting on the control panel to Normal or Maximum.

The table below gives an overview of the Reserve Job options.

Reserve Job Option	Description
Re-Print Job	Lets you print the job now and store it on the printer's memory. You can print the same job several times.
Verify Job	Lets you print one copy now to verify the content. You can print multiple copies later.
Confidential Job	Lets you apply a password to the print job. You can print the job entering the password on the printer's control panel.

Sending the print job

For Windows users

1. Click the **Optional Settings** tab, then click **Reserve Jobs Settings**. The Reserve Jobs Settings dialog box appears.
2. Select the **Reserve Job On** check box, then select **Re-Print Job**, **Verify Job**, or **Confidential Job**.
3. Enter a user name and job name in the corresponding text boxes. If you selected **Confidential Job**, enter a four-digit number in the password text box to set the password.
4. Click **OK**.

Note:

The OK button becomes available after both the user name and job name have been entered.

If you selected **Re-Print Job**, the printer prints your document. If you selected **Verify Job**, the printer prints one copy of your document.

To print or delete this data using the printer's control panel, see "Printing and Deleting Reserve Job Data" on page 183.

Canceling a Print Job

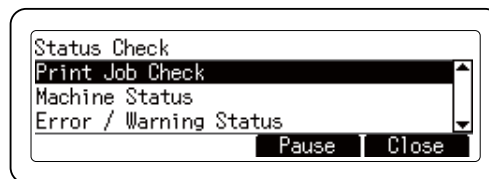
From the printer

Follow the steps below to cancel a print job by using the **Status** button.

Note:

Using the **Stop** button also enables you to cancel the current print job. Press the **Stop** button and then press the **F3** button to select Yes.

1. Press the **Status** button . The Status Check screen appears.
2. Select Print Job Check, and then press the **OK** button.

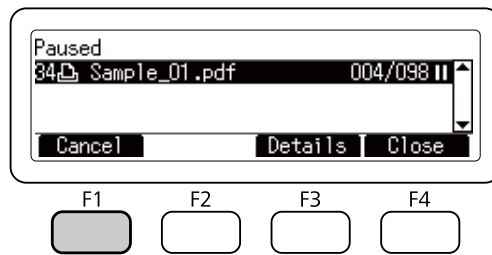


Note:

Press the **F3** button to pause the current print job. If you want to resume the print job, press the **F3** button again.

3. Select the print job that you want to cancel using the ▲ or ▼ button, and press the **OK** button.

4. Press the **F1** button, and then press the **F3** button. Printing is canceled.



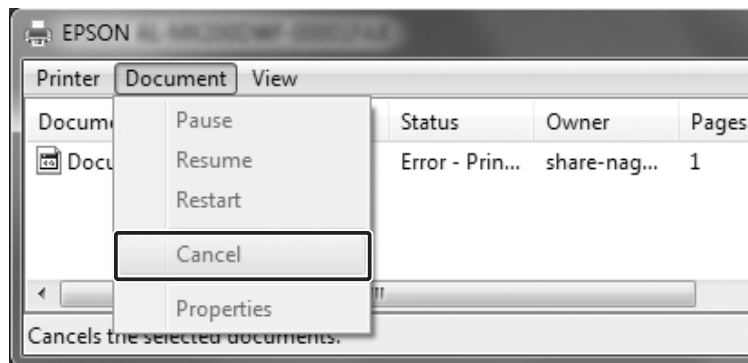
Note:

The operation is canceled and printer restarts one minute after the printer is not operated. After canceling jobs is completed, the printer recovers from pause.

From the computer

For Windows users

Double-click your printer's icon on the taskbar. Select the job in the list, then click **Cancel** from the Document menu.



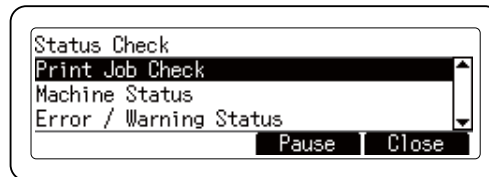
Interrupting Printing

From the printer

If the printer is shared, it is possible to interrupt the current print job to print a different print job.

Follow the steps below to use this function.

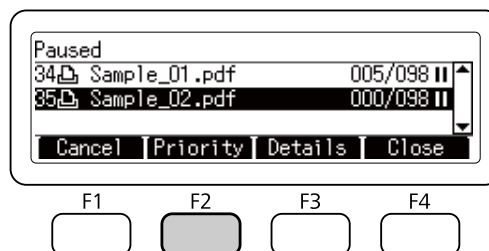
1. Press the **Status** button . The Status Check screen appears.
2. Select Print Job Check, and then press the **OK** button.



Note:

Press the **F3** button to pause the current print job. If you want to resume the print job, press the **F3** button again.

3. Select the print job that you want to print using the ▲ or ▼ button, and press the **OK** button.
4. Press the **F2** button, and then press the **F3** button. The printer starts printing the selected print job.



Note:

The operation is canceled and printer restarts one minute after the printer is not operated.

Printing Directly from a USB Memory

You can print files in the USB memory via a USB Host interface without starting the computer, installing the printer driver, or connecting the printer to a network.

Note:

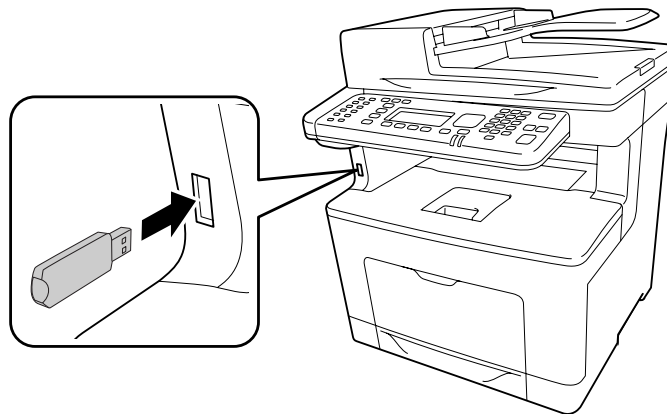
- ❑ *If the USB Host setting on the control panel is set to Off, this function cannot be used. Confirm the setting is set to ON in advance.*
- ❑ *If the printer is in the sleep mode, the USB memory may not be detected automatically. In that case, press any button on the control panel.*
- ❑ *If a large numbers of files are in the USB memory, accessing the USB memory may take long time.*
- ❑ *If accessing the USB memory takes too long, try formatting it to improve the access speed.*

Index printing

You can print the index of files stored in the USB memory.

Follow the steps below to print the index.

1. Press the **Print** button.
2. Connect a USB memory to the USB Host interface of the printer.



The printer searches the files in the USB memory. If any supported files are detected, the control panel menu appears automatically.

Note:

If Can't Print Files is displayed on the control panel, printable files were not detected in the USB memory.

3. Press the **F1** button to select Index.
4. Make appropriate settings as described below.

Item	Settings (default in bold)
Paper	A4 , LT, LGL
Duplex	Off (Simplex) , Duplex Long, Duplex Short

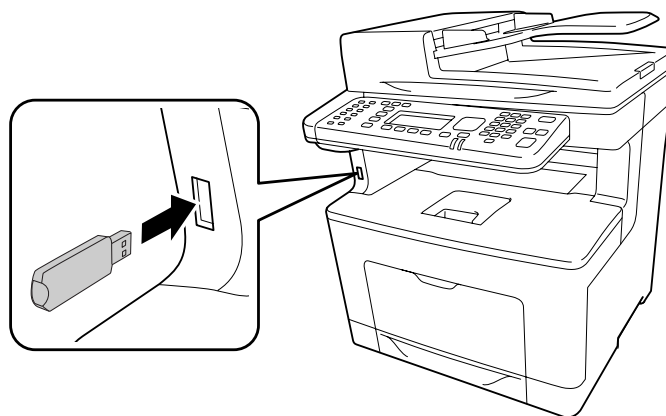
5. Specify the number of copies using the numeric keypad on the control panel.
6. Press the **Start** button to start printing.

Document printing

You can print the document file stored in the USB memory. The supported file format is PDF only.

Follow the steps below to print the document file.

1. Press the **Print** button.
2. Connect a USB memory to the USB Host interface of the printer.



The printer searches the files in the USB memory. If any supported files are detected, the control panel menu appears automatically.

Note:

If Can't Print Files is displayed on the control panel, printable files were not detected in the USB memory.

3. Press the **F3** button to select Doc File.
4. Press the **▲** or **▼** button to select the file, then press the **OK** button.
5. Make appropriate settings as described below.

Item	Settings (default in bold)
Paper	A4 , A5, A6, LT, HLT, LGL, GLT, GLG, EXE, F4, MON, DL, C6
Duplex	Off (Simplex) , Duplex Long, Duplex Short

6. Specify the number of copies using the numeric keypad on the control panel.
7. Press the **Start** button to start printing.

Note:

- The printer supports PDF 1.6 (Acrobat 7). Other versions of PDF files may not print. In that case, open the files with Adobe Reader and print them from the computer.*
- If a PDF file is locked with a password, the password screen appears on the control panel. Enter the password to print the file.
To enter the password, use the numeric keypad. After all characters are determined, press the **OK** button.*

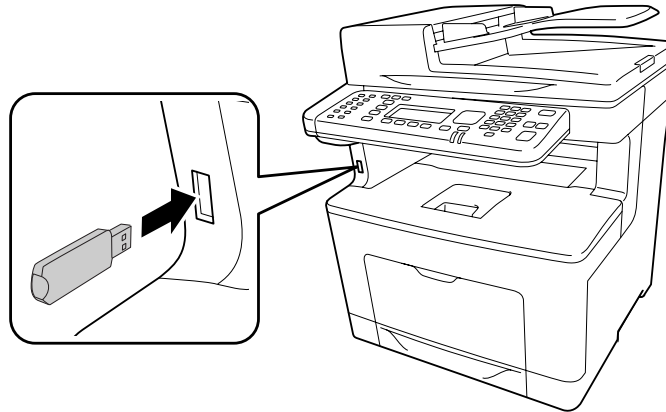
Image printing

You can print the image files stored in the USB memory. The supported file formats are JPG and TIF.

Follow the steps below to print the image files.

1. Press the **Print** button.

2. Connect a USB memory to the USB Host interface of the printer.



The printer searches the files in the USB memory. If any supported files are detected, the control panel menu appears automatically.

Note:

If Can't Print Files is displayed on the control panel, printable files were not detected in the USB memory.

3. Press the **F2** button to select **Im≡File**.
4. Press the **▲** or **▼** button to select the file, then press the **OK** button. You can select multiple files at the same time.
5. Make appropriate settings as described below.

Tab	Item	Settings (default in bold)
Basic Setting	Paper	A4 , LT, LGL
	Layout	None , 2 in 1, 4 in 1, 8 in 1
	Duplex	Off (Simplex) , Duplex Long, Duplex Short
Advanced	FileName	On , Off

6. Specify the number of copies using the numeric keypad on the control panel.
7. Press the **Start** button to start printing.

Chapter 4

Scanning

Starting a Scan

The scanning operation is performed either from the control panel or the TWAIN-compliant scanning program.

Using the Control Panel

You can scan a document using the printer's control panel and store the data as followings.

- Scan data to a USB memory connected to the printer
- Scan data to a shared folder on the network
- Scan data to a file to send by e-mail
- Scan data to a computer

Required settings before scanning

The following settings are required to save scanned data in a shared folder, send it by e-mail, or save it in a computer.

- E-mail server setting (when sending by e-mail)
- E-mail address setting (when sending by e-mail)
- Folder address setting (when saving to a shared folder)
- WSD scan settings or Document Capture Pro installations and settings (when saving to a computer)

Follow the instructions below for each setting.

E-mail server setting

1. Press the **Setting** button on the control panel.

2. Specify **E-mail Server Settings** in the **Common Settings** menu. For details about each setting, see “E-mail Server Settings” on page 137.

E-mail address setting

1. Press the **Setting** button on the control panel.
2. Specify **E-mail Address** in the **Address Settings** menu. For details about each setting, see “E-mail Address” on page 160.

Folder address setting

1. Press the **Setting** button on the control panel.
2. Specify **Folder Address** in the **Address Settings** menu. For details about each setting, see “Folder Address” on page 160.

Note:

You can print the e-mail address list and PC folder list registered in the printer. To print the report, press the **Setting** button on the control panel. Select **System Report Printing** in the **System Information** menu, and then select **E-mail Address List** or **Folder List**.

WSD scan settings and Document Capture Pro installations and settings

WSD Scanner setting:

For details about selecting this printer's WSD scanner from Add a device, see the help for your operating system. WSD is available for Windows Vista and any later operating systems.

Document Capture Pro installation and setting:

Refer to “Using Other Scanning Software from Your Computer” on page 97 for the procedure to download the software. For details about settings, see the help for the software.

Scan mode menu list

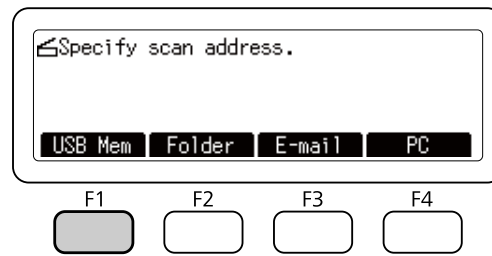
Item		Description
Document Detailed Settings	Document Size Selection	Select the document size.
	Document Direction Selection	Set the document direction.
Document Type		Select the type of the document.

Item	Description
ADF Duplex Selection	Rotates the document direction automatically according to the Document Type Selection and Document Direction Selection when scanning a duplex document to a PDF format, so that the text in the document is in the correct orientation for reading.
Input File Header	Input the file header. (Up to 20 characters).
Format Setting for Saving	Select the file format for scanned documents.
Detailed PDF Set	Password Setting Set a password for opening the document.
	Authority Setting Set a password for restricting printing and editing of the generated PDF.
	High Compression Set this to generate a highly compressed PDF from the scanned data.
Color Mode	Select whether to scan in color or monochrome.
Scan Density	Scanned images get lighter as the value is lowered, and darker as the value is increased.
Resolution	The higher the resolution, the better the quality, but the scanning time and the size of the file both increase.
Compression Rate Settings	Set the compression rate of files. The lower the compression, the better the quality, but the size of the file increases.
Continuous Scan from ADF	Set this to continue scanning additional documents after the current document has finished being scanned.

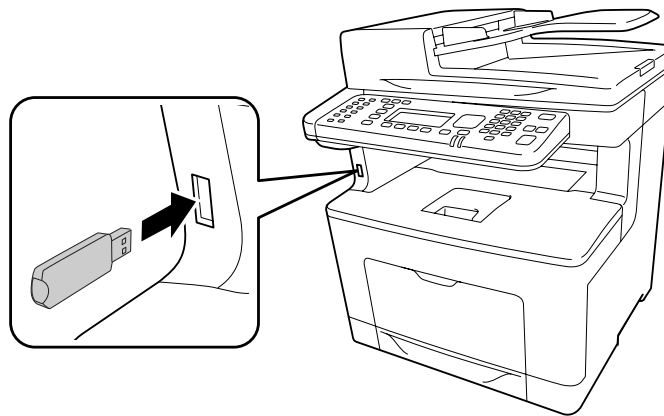
Saving scanned data to a USB memory

1. Press the **Scan** button.
2. Place your original either on the document table or in the Auto Document Feeder. For details on how to set your original, see “Setting Your Originals” on page 50.

3. Press the **F1** button on the control panel.



4. Connect a USB memory to the USB Host interface of the printer.



Note:

If necessary, specify the desired settings such as Basic Settings, File Settings, and Scan Settings. For details about each setting, see “Scan mode menu list” on page 80.

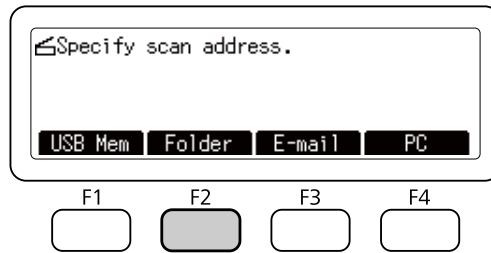
5. Press the **Start** button.

The printer starts scanning.

Saving scanned data to a shared folder

1. Press the **Scan** button.
2. Place your original either on the document table or in the Auto Document Feeder. For details on how to set your original, see “Setting Your Originals” on page 50.

3. Press the **F2** button on the control panel.



4. Press the ◀ or ▶ button several times to select the **Basic Settings** tab and press the **F1** button.
5. Select an item using **F1** to **F4** buttons and specify the destination folder.

Item		Description
Save to	-	Directly enter a destination folder path. (Up to 107 characters) The address should be specified with both the IP address and domain name.
	Address	Select a destination folder from the address list.
User Name		Enter the login user name. (Up to 30 characters)
Password		Enter the password. (Up to 20 characters)
Folder Connection Protocol		Select a protocol for scanning (SMB or FTP).

Note:

- To save scanned data in a shared folder on a computer running Windows 8, 7, or Vista, enter the same user name for **User Name** as registered on the computer.
- When a DNS server is activated in your environment, you can use a domain name for the folder path.

6. Press the **OK** button.

Note:

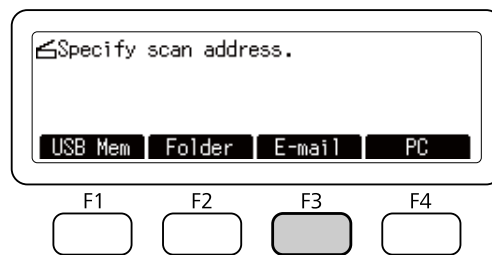
If necessary, specify the desired settings, such as **Basic Settings**, **File Settings**, and **Scan Settings**. For details about each setting, see “Scan mode menu list” on page 80.

7. Press the **Start** button.

The printer starts scanning.

Sending scanned data by e-mail

1. Press the **Scan** button.
2. Place your original either on the document table or in the Auto Document Feeder. For details on how to set your original, see “Setting Your Originals” on page 50.
3. Press the **F3** button on the control panel.



4. Press the ◀ or ▶ button several times to select the **Basic Settings** tab and press the **F1** button.
5. Press the **F1** or **F3** buttons to select the items and enter a destination e-mail address and subject.

Item		Description
Address List	Address	Select a destination from the Address Book.
	Direct	Enter the mail address directly. (Up to 64 characters)
	Delete	Delete the selected address.
Input Subject		Input the e-mail subject.
Reply Address	Address	Select a reply destination from the Address Book.
	Direct	Enter the reply mail address directly. (Up to 64 characters)
	Delete	Delete the selected reply address.

Note:

A maximum of 255 characters can be entered for the destination e-mail address.

6. Press the **OK** button.

Note:

If necessary, specify the desired settings, such as **Basic Settings**, **File Settings**, and **Scan Settings**. For details about each setting, see “Scan mode menu list” on page 80.

7. Press the **Start** button.

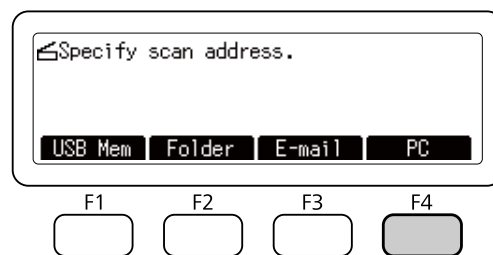
The printer starts scanning.

Note:

If a failure occurs while transmitting e-mail, an error report is printed automatically.

Saving Scanned data to a computer (Document Capture Pro/WSD)

1. Press the **Scan** button.
2. Place your original either on the document table or in the Auto Document Feeder. For details on how to set your original, see “Setting Your Originals” on page 50.
3. Press the **F4** button on the control panel.



4. Select WSD or Document Capture Pro, and then press the **OK** button.

Note:

The procedure below uses WSD scan as an example.

5. Select a computer, from the list of connected computers, in which to save scanned data.
6. Press the **OK** button.
7. Press the **Start** button.

The printer starts scanning.

Using Epson Scan from Your Computer

Before Starting EPSON Scan

You need to make the settings using EPSON Scan Settings to scan with the printer.

Note for Windows:

- For Windows 8, 7, or Vista, you need an administrator account and password if you log on as a standard user.
- For Windows XP, you must log on to a Computer Administrator account.

Note for Mac OS X:

- Do not use the Fast User Switching function while using your scanner.
- You must log on to a Computer Administrator account.

1. Start EPSON Scan Settings.

Windows:

Select the start button icon or **Start > All Programs** or **Programs > EPSON > EPSON Scan > EPSON Scan Settings**.

Mac OS X:

Select the **EPSON Scan Settings** icon in the Epson Software folder in the Applications folder.

2. Select your scanner from the **Select Scanner** drop-down list.
3. See “For scanning via USB interface” on page 86 to scan via USB interface, and see “For scanning over a network” on page 86 to scan over a network.

For scanning via USB interface

1. Select **Local**, then click **Test** to check the connection. If everything works properly, a successful connection message appears.
2. Click **OK** to save the settings.

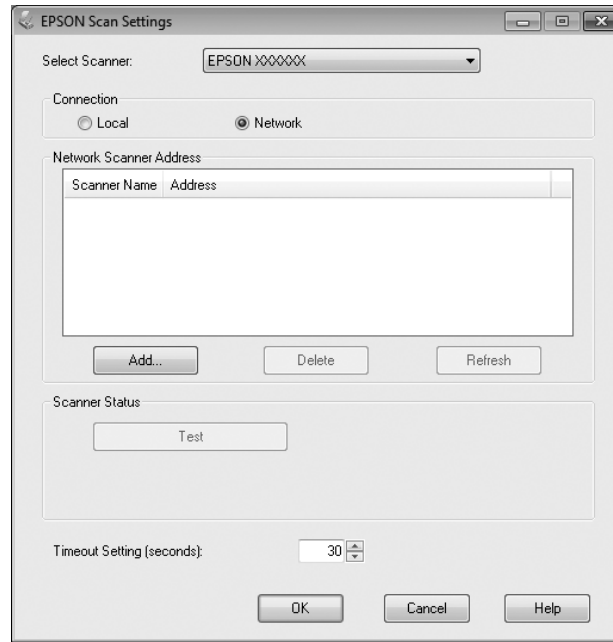
For scanning over a network

Make sure your printer and printer's network interface are working properly. Then follow the steps below to use the EPSON Scan Settings program to enable network scanning.

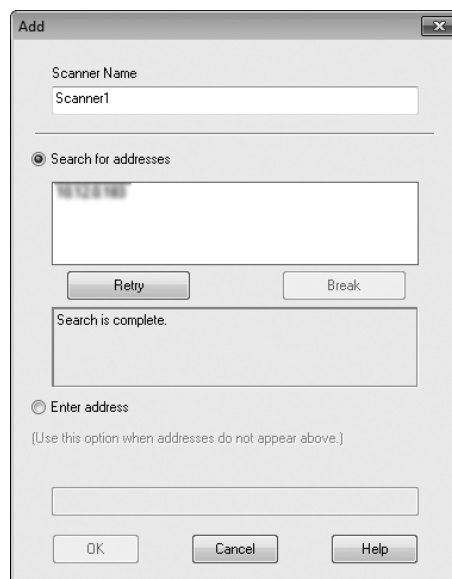
Note:

Obtain the IP address or host name of the printer from your network administrator.

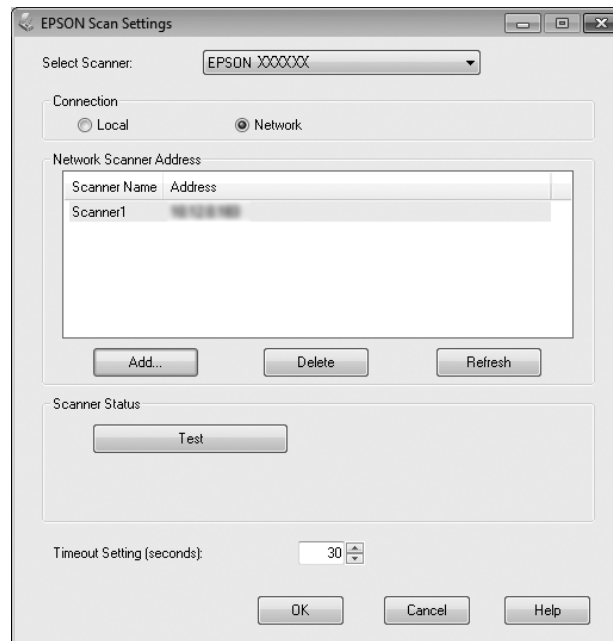
1. Select **Network**, then click **Add**.



2. In the Add window, choose the printer's IP address under Search for addresses, or select **Enter address** and type in the address. Then click **OK**.



3. In the EPSON Scan Settings window, click **Test** to check the connection. If everything works properly, a successful connection message appears.




4. Click **OK** to save the settings.

Starting Epson Scan

You can start Epson Scan by double-clicking the **EPSON Scan** icon.

Windows:

Double-click the **EPSON Scan** icon on the desktop.

Or, select  **Start** or **Start > All Programs** or **Programs > EPSON > EPSON Scan > EPSON Scan**.

Mac OS X:

Select **Applications > Epson Software > EPSON Scan**.

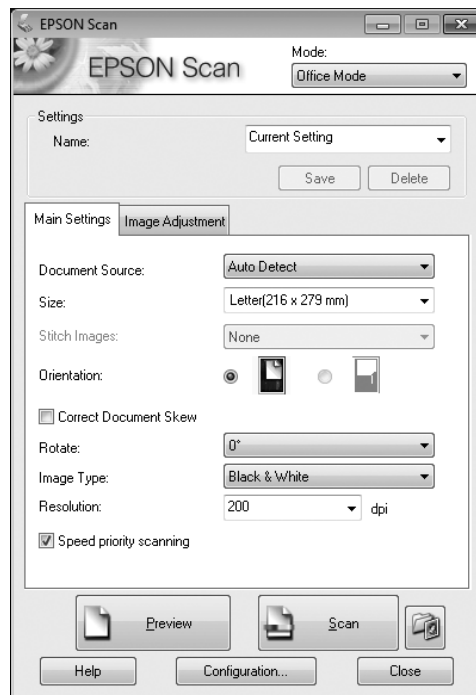
The EPSON Scan window opens. Epson Scan offers Office Mode and Professional Mode. See “Scanning in Office Mode” on page 89 to select Office Mode or “Scanning in Professional Mode” on page 90 to select Professional Mode.

Scanning in Office Mode

Office Mode lets you quickly scan text documents without previewing your image.

Note:

- ❑ *If you install Epson Scan in Windows Server 2012 and Server 2008, you must have been done install to Desktop Experience.*
 - ❑ *See the Help for more details on Epson Scan.*
1. Place the original(s) on the document table. See “Setting Your Originals” on page 50 for instructions.
 2. Start Epson Scan. See “Starting Epson Scan” on page 88 for instructions.
 3. Select **Office Mode** in the Mode list.



4. Select the Document Source setting.
5. Select the size of your original as the Size setting.
6. Select the Image Type setting.

7. Select an appropriate resolution for your original(s) as the Resolution setting.
8. Click **Scan**.
9. In the File Save Settings window, select the Type setting and then click **OK**.

Note:

- If the **Show this dialog box before next scan** check box is cleared, Epson Scan starts scanning immediately without displaying the File Save Settings window.
- You can create a password protected PDF file. Select the Security tab in PDF Plug-in Settings. See the Help for more details on Epson Scan.
- When you select Skip Blank Pages, any blank pages in the document are not scanned.

Your scanned image is saved.

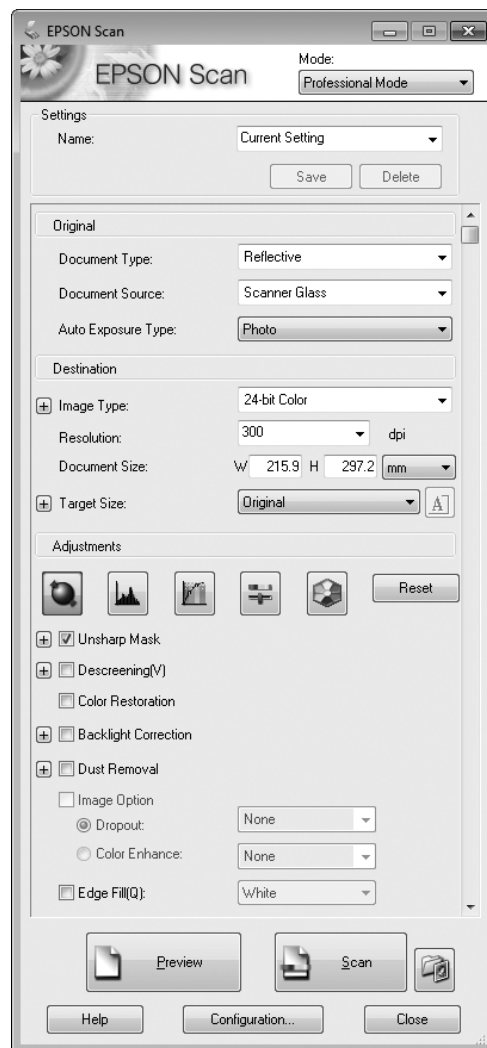
Scanning in Professional Mode

Professional Mode gives you total control of your scanning settings and lets you check the changes you have made in a preview image. This mode is recommended for advanced users.

Note:

- If you want to install Epson Scan on Windows Server 2012 or Server 2008, you have to install Desktop Experience first.
 - See the Help for more details on Epson Scan.
1. Place your original(s) on the document table. See “Setting Your Originals” on page 50 for instructions.
 2. Start Epson Scan. See “Starting Epson Scan” on page 88 for instructions.

3. Select **Professional Mode** in the Mode list.

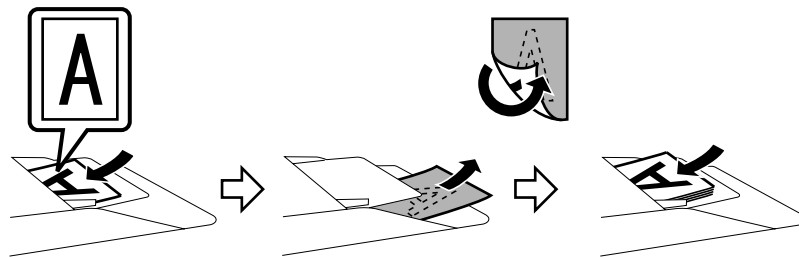


4. Select the type of original(s) you are scanning as the Document Type setting.
5. Select the Document Source setting.
6. Select **Photo** or **Document** as the Auto Exposure Type setting.
7. Select the Image Type setting.
8. Select an appropriate resolution for your original(s) as the Resolution setting.

9. Click **Preview** to preview your image(s). The Preview window opens and displays your image(s). See “Previewing and Adjusting the Scan Area” on page 95.

Note for the Automatic Document Feeder (ADF):

- When a document with multiple pages is loaded and **Preview** is selected, the first and second pages are fed into the printer. Epson Scan pre-scans the first page and displays it in the Preview window. The ADF then ejects the first and second pages. Place these pages on top of the rest of the pages, and then load the entire document into the ADF.
- The document page ejected by the ADF has not been scanned yet. Reload the entire document into the ADF.



10. Select the size of the scanned image(s) as the Target Size setting if necessary. You can scan your images at their original size, or you can reduce or enlarge their size by selecting Target Size.
11. Adjust the image quality if necessary. See “Image Adjustment Features” on page 93.
12. Click **Scan**.
13. In the File Save Settings window, select the Type setting and then click **OK**.

Note:





- If the **Show this dialog box before next scan** check box is cleared, Epson Scan starts scanning immediately without displaying the File Save Settings window.
- You can create a password protected PDF file. Select the Security tab in PDF Plug-in Settings. See the Help for more details on Epson Scan.






Your scanned image is saved.


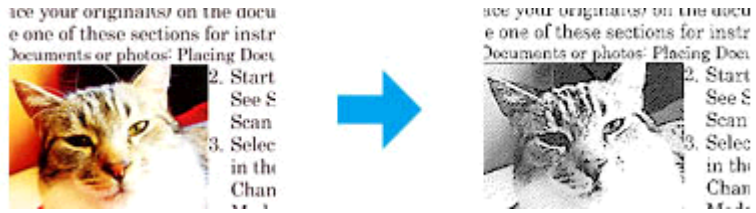

Image Adjustment Features

Epson Scan offers a variety of settings for improving color, sharpness, contrast, and other aspects affecting image quality.

See the Help for more details on Epson Scan.

Histogram Adjustment	<p>Provides a graphical interface for adjusting highlight, shadow, and gamma levels individually.</p> 
Tone Correction	<p>Provides a graphical interface for adjusting tone levels individually.</p> 
Image Adjustment	<p>Adjusts brightness and contrast and the balance of red, green, and blue colors in the overall image.</p> 
Color Palette	<p>Provides a graphical interface for adjusting mid-tone levels, such as skin tones, without affecting the highlight and shadow areas of the image.</p> 

Unsharp Mask	<p>Sharpens the edges of image areas for an overall clearer image.</p> 
Descreening	<p>Removes rippled patterns (known as moiré) that can appear in subtly shaded image areas such as skin tones.</p> 
Color Restoration	<p>Restores the colors in faded photos automatically.</p> 
Backlight Correction	<p>Removes shadows from photos that have too much background light.</p> 
Dust Removal	<p>Removes dust marks from your originals automatically.</p> 

Text Enhancement	<p>Enhances text recognition when scanning text documents.</p> 
Auto Area Segmentation	<p>Makes Black&White images clearer and text recognition more accurate by separating the text from the graphics.</p> 
Color Enhance	<p>Enhance a certain color. You can select from red, blue, or green.</p> 

Previewing and Adjusting the Scan Area

Selecting a preview mode

Once you have selected your basic settings and resolution, you can preview your image and select or adjust the image area in a Preview window. There are two types of preview.

- Normal preview displays your previewed image(s) in their entirety. You can select the scan area and make any image quality adjustments manually.
- Thumbnail preview displays your previewed image(s) as thumbnail(s). Epson Scan automatically locates the edges of your scan area, applies automatic exposure settings to the image(s), and rotates the image(s) if necessary.

Note:

- ❑ *Some of the settings that you change after previewing an image are reset if you change the preview mode.*
- ❑ *Depending on your document type and the Epson Scan mode you are using, you may not be able to change the preview type.*
- ❑ *If you preview image(s) without the Preview dialog displayed, image(s) are displayed in the default preview mode. If you preview with the Preview dialog displayed, image(s) are displayed in the preview mode that was displayed just before previewing.*
- ❑ *To resize the Preview window, click and drag the corner of the Preview window.*
- ❑ *See the Help for more details on Epson Scan.*


Creating a marquee

A marquee is a moving dotted line that appears on the edges of your preview image to indicate the scan area.

Do one of the following to draw a marquee.

- ❑ To draw the marquee manually, position the pointer in the area where you want to place the corner of your marquee and click. Drag the cross-hairs over the image to the opposite corner of the desired scan area.


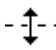


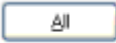


- ❑ To draw the marquee automatically, click the  auto locate icon. You can only use this icon when you are viewing a normal preview and you only have one document on the scanner glass.
- ❑ To draw the marquee at a specified size, type in a new width and height in the Document Size setting.

- ❑ For best results and image exposure, make sure all sides of the marquee are located inside the preview image. Do not include any areas around the preview image in the marquee.

Adjusting a marquee

You can move the marquee and adjust its size. If you are viewing a normal preview, you can create multiple marquees (up to 50) on each image to scan different image areas as separate scan files.

	To move the marquee, position your cursor inside the marquee. The pointer becomes a hand. Click and drag the marquee to the desired location.
	To resize the marquee, position your cursor over the edge or corner of the marquee. The pointer becomes a straight or angled double-arrow. Click and drag the edge or corner to the desired size.
	To create additional marquees of the same size, click this icon.
	To delete a marquee, click inside the marquee and click this icon.
	To activate all marquees, click this icon.

Note:

- ❑ To restrict the movement of the marquee to vertical or horizontal only, hold down the **Shift** key as you move the marquee.
- ❑ To restrict the size of the marquee to the current proportions, hold down the **Shift** key as you resize the marquee.
- ❑ If you draw multiple marquees, make sure you click **All** in the Preview window before you scan. Otherwise, only the area inside the last marquee you drew will be scanned.

Using Other Scanning Software from Your Computer

You can use any TWAIN-compliant scanning program, such as Adobe Photoshop Elements, to scan with your scanner. You open the program, select Epson Scan, and scan. When you are finished scanning, the scanned image opens in your scanning program so you can modify, print, and save it.

Document Capture Pro

Only available for Windows users.

This software allows you to rearrange pages or correct rotation for image data, and then save the data, send it by e-mail, send it to a server, or send it to a cloud service. You can also register frequently used scanning settings to simplify scanning operations.

You can download this software from the following Epson website.

<http://support.epson.net/>

http://assets.epson-europe.com/gb/en/document_capture_pro/index.html (Europe)

How to Start

❑ Windows8:

Right-click on the **Start** screen, or swipe from the bottom or top edge on the **Start** screen, and select **All apps > Epson Software > Document Capture Pro**.

❑ Windows7, Vista, and XP:

Select the start button or **Start > All Programs** or **Programs > Epson Software > Document Capture Pro**.

How to Access the Help

Select **Help** from the menu on the software screen to display the Help.

Canceling Scanning

When you press the **Stop** button on the control panel, a scanning job in Scan mode is canceled. TWAIN processing can be stopped by the **Stop** button only when you are scanning via a network.

When **Cancel** on the progress bar is clicked while scanning by Epson Scan, preview scanning or final scanning is exited.

Chapter 5

Copying

Setting Originals to Copy

You can load the original either on the document table or in the Auto Document Feeder depending on the type of the original. For details, see “Setting Your Originals” on page 50.

Note:

- ❑ *Before scanning a document, remember to respect the rights of copyright owners. Do not scan published text or images without first checking their copyright status.*
- ❑ *If documents are placed both in the Auto Document Feeder and on the document table, only the documents in the Auto Document Feeder are scanned.*

Basic Copying

Available paper sources:

- ❑ *The available paper sources for copying are the same as that for printing. Depending on the paper source, available paper types differ. When copying originals, you can only use the following paper types.*

MP tray:

Plain, SemiThk, Preprinted, Letterhead, Recycled, Color, Labels, Thick, ExtraThk, Envelope, Special

Paper cassette:

Plain, SemiThk, Preprinted, Letterhead, Recycled, Color, Labels, Thick, ExtraThk, Special

- ❑ *You cannot copy onto coated paper and special paper such as postcard or envelopes.*

Available original sizes:

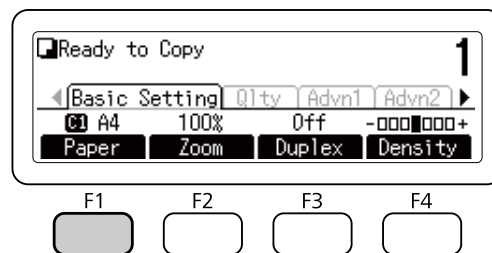
- ❑ *You can use A4, A5, A6^{*1}, B5, LT, HLT, LGL^{*2}, GLT, GLG^{*2}, EXE, and F4^{*2} size originals for copying.*

**1: Document table only*

**2: ADF only*

- ❑ *The edge of the paper (4 mm from the horizontal and vertical paper ends) is not guaranteed for printing.*

1. Make sure the printer is turned on and paper is loaded in the printer. For information on how to load paper, see “Loading Paper into Your Printer” on page 36.
2. Press the **Copy** button.
3. Place your original either on the document table or in the Auto Document Feeder. For details on how to set your original, see “Setting Your Originals” on page 50.
4. Specify the number of copies using the numeric keypad on the control panel.
5. Press the ◀ or ▶ button several times to select the **Basic Setting** tab and press the **F1** button.



6. Select the paper source using the ▲ or ▼ button and press the **OK** button.

Note:

When MP tray is selected, specify the paper size and paper type in the MP Tray Settings menu.

7. Press the **Start** button.

The printer starts copying.

Note:

- ❑ To cancel copy job, press the **Stop** button on the control panel while a document is being copied, and then press the **F3** button to select Yes.
- ❑ Do not turn off the power or press another mode's button while copying is in progress, as copying may be performed incorrectly.

Copy mode menu list

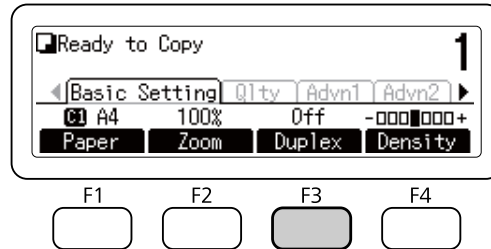
Tab	Item	Description
Basic Setting	Paper	Select a paper source that is loaded with the size of paper that you want.
	Zoom	Select the zoom ratio for copying. "Specifying the zoom ratio" on page 106
	Duplex	Print in the duplex mode. "Duplex Copying" on page 101
	Density	Set the copy image density.
Quality	Doc Type	Select the type of the document. "Changing the copy quality" on page 105
	Other	Set RmvBckgrd, RmvMoire, and Contrast. "Changing the copy quality" on page 105
AdvnSetting1	Layout	Copy two single-sided or four single-sided originals onto a single page. "Print Layout" on page 104
	RmvShadow	Remove the shadow when copying books.
	BindMargn	Set a binding margin for copying.
AdvnSetting2	ID Card	Copy both sides of an ID card in its original size, onto one sheet.
	Full Copy	Adjust the copy ratio automatically to fit the printable area, even if the document has no margins. "Full-page copy" on page 107
	ScanCont.	Set this to continue copying additional documents after the current document has finished being copied.
	Collate	Print multiple copies of multiple pages of a document in order, and collate into copy sets. "Collate Copying" on page 103

Duplex Copying

With duplex copying, you can create double-sided or single-sided copies from double-sided or single-sided originals.

1. Press the **Copy** button.
2. Place your original either on the document table or in the Auto Document Feeder. For details on how to set your original, see "Setting Your Originals" on page 50.

- Specify the number of copies using the numeric keypad on the control panel.
- Press the ◀ or ▶ button several times to select the **Basic Setting** tab and press the **F3** button.



- Select the type of duplex copying using the ▲ or ▼ button.

Setting	Description	
Off	Normal copying.	
Simplex>Duplex	Two single-sided originals are printed onto each side of a single sheet of paper.	
Duplex>Duplex	Each side of a double-sided original is printed on each side of a sheet of paper.	
Duplex>Simplex	Each side of a double-sided original is printed onto one side of a single sheet of paper.	

- Press the **OK** button.

Note:

If necessary, press the **F1** to **F3** buttons to specify the binding position of the original and output and document orientation.

- Press the **OK** button, and then press the **Start** button.

The printer starts duplex copying.

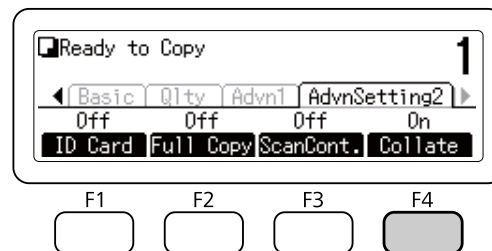
Note:

When using the document table, place the second page of the document after Set Next Document is displayed, and then press the **Start** button.

Collate Copying

With the collate copying function, multiple copies of multiple pages in a document are printed in order and collated by copy set. Note that the factory default for Collate is On.

- Press the **Copy** button.
- Place your original either on the document table or in the Auto Document Feeder. For details on how to set your original, see “Setting Your Originals” on page 50.
- Specify the number of copies using the numeric keypad on the control panel.
- Press the ◀ or ▶ button several times to select the AdvnSetting2 tab, and then press the **F4** button.



- Select **On** using the ▲ or ▼ button and press the **OK** button.
- Press the **Start** button.

The printer starts collate copying.

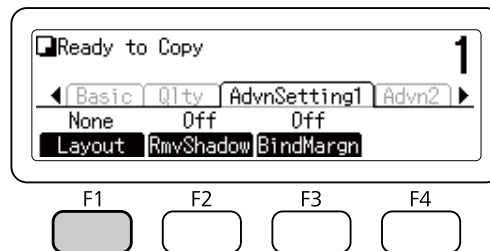
Print Layout

With the layout printing, you can copy two single-sided originals onto a single page.

The following combination of paper size is available.

Document Size	Output Size
A4	A4, A5, Letter, Legal
A5	A4, A5, Letter, Legal
A6	A4, A5, Letter, Legal
Letter	A4, A5, Letter, Legal
Legal	A4, A5, Letter, Legal

1. Press the **Copy** button.
2. Place your original either on the document table or in the Auto Document Feeder. For details on how to set your original, see “Setting Your Originals” on page 50.
3. Specify the number of copies using the numeric keypad on the control panel.
4. Press the ◀ or ▶ button several times to select the `AdvnSetting1` tab and press the **F1** button.



5. Select `On` using the ▲ or ▼ button and press the **OK** button.

Note:

If necessary, specify the desired settings, such as Allocation Document Size, Select Paper, Select Order, and Document Direction Selection.

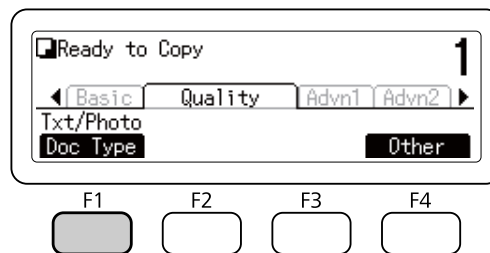
6. Press the **OK** button, and then press the **Start** button.

The printer starts layout copying.

Making Changes to Copy Settings

Changing the copy quality

1. Press the **Copy** button.
2. Press the ◀ or ▶ button several times to select the **Quality** tab and press the **F1** button.



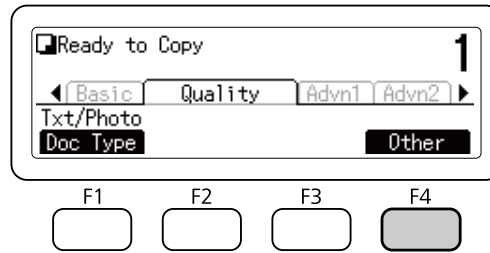
3. Select the document type using the ▲ or ▼ button, and then press the **OK** button.

Note:

You can select the following document type settings for various types of documents. The default setting is **Text/Photo**.

Document Type	Description
Auto	Detect document types and set the level for removing the background automatically.
Text/Photo	Good for magazines and catalogs. Removes moiré patterns, sharpens outlines and removes backgrounds.
Photo	Good for color photos or other color images. Accurately reproduces gradation and subtle tonal variations.
High Quality	Good for documents containing fine information. Removes moiré patterns and backgrounds. Although copying takes longer, higher quality is obtained.

- Press the **F4** button.



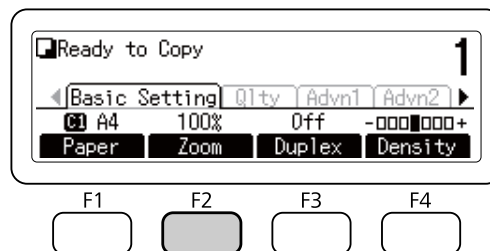
- Select the following items using **▲** or **▼** button, and then press the **OK** button.

Settings	Description
RmvBckgrd	You can adjust the density of the background by selecting from 5 levels (-2 to 2). The higher the level, the darker the image becomes. The default value is 0.
RmvMoire	You can adjust the image quality in moiré patterns by selecting from 5 levels (-2 to 2). The default value is 0.
Contrast	You can adjust the image quality in contrast by selecting from 7 levels (-3 to 3). The higher the level, the greater the contrast becomes. The default value is 0.

- Specify the value using the **◀** or **▶** button, and then press the **OK** button.

Specifying the zoom ratio

- Press the **Copy** button.
- Press the **◀** or **▶** button several times to select the **Basic Setting** tab and press the **F2** button.



- Press the **F1** button repeatedly to select either **Fixed** or **Manual**.
- Specify the settings using the **▲** or **▼** button, and then press the **OK** button.

Note:

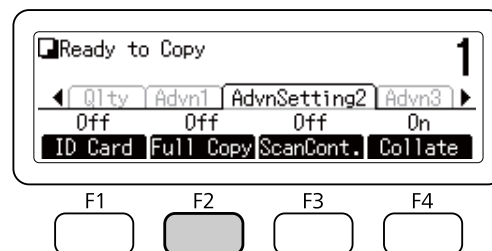
- ❑ For the Fixed Zoom setting, the following document zoom ratios are available.

Zoom Ratio Settings	Zoom
HLT->LGL	154%
A5->A4	141%
100% (default)	100%
LGL->LT	78%
A4->A5	70%

- ❑ For the Manual Zoom setting, you can specify a zoom rate between 25% and 400%. You can also use the numeric keypad to enter the value.

Full-page copy

1. Press the **Copy** button.
2. Press the ◀ or ▶ button several times to select the AdvnSetting2 tab and press the **F2** button.



3. Select On using the ▲ or ▼ button and press the **OK** button.

Canceling a Copy Job

Press the **Stop** button on the printer's control panel, and then press the **F3** button to select Yes.

Chapter 6

Faxing (DNF Model Only)

Making Settings before Using Fax Function

Confirming settings

Before receiving or sending a fax, make sure that the appropriate settings for your fax are specified.

Press the **Setting** button on the control panel and check the settings in the **Fax Settings** menu.

Making transferring settings of received faxes

You can send received data to the following destinations:

- To a shared folder specified from the printer
- To an e-mail address specified from the printer
- To forward to another fax number

The following settings are required to send data to a shared folder:

- Received fax destination settings
- Folder address settings

The following settings are required to send data to an e-mail address:

- Received fax destination settings
- E-mail server settings
- E-mail address settings

The following settings are required to forward to another fax number:

- Forward number settings

Follow the instructions below for each setting.

Received fax destination setting

1. Press the **Setting** button on the control panel.
2. Press the ▲ or ▼ button several times to select `Fax Settings` and press the **OK** button.
3. Press the ▲ or ▼ button several times to select `Reception Settings` and press the **OK** button.
4. Press the ▲ or ▼ button several times to select `Fax Output` and press the **OK** button.
5. Select `Folder` or `E-Mail` and click the **OK** button.

When `Folder` is selected, continue the folder address setting.

When `E-Mail` is selected, continue the e-mail address setting.

Folder address setting

1. Press the ▲ or ▼ button several times to select `Fax to Folder Settings` and press the **OK** button.
2. Specify the settings. For details about each setting, see “Reception Settings” on page 157.
3. Press the **OK** button.

E-mail server setting

1. Press the **Setting** button on the control panel.
2. Press the ▲ or ▼ button several times to select `Common Settings` and press the **OK** button.
3. Press the ▲ or ▼ button several times to select `E-mail Server Settings` and press the **OK** button.
4. Specify the desired settings. For details about each setting, see “E-mail Server Settings” on page 137.
5. Press the **OK** button.

E-mail address setting

1. Press the ▲ or ▼ button several times to select `E-mail Settings` and press the **OK** button.

2. Specify the settings. For details about each setting, see “Reception Settings” on page 157.
3. Press the **OK** button.

Forward number setting

1. Press the **Setting** button on the control panel.
2. Press the ▲ or ▼ button several times to select `Fax Settings` and press the **OK** button.
3. Press the ▲ or ▼ button several times to select `Reception Settings` and press the **OK** button.
4. Press the ▲ or ▼ button several times to select `Fax Output` and press the **OK** button.
5. Select `Forward` and click the **OK** button.
6. Press the ▲ or ▼ button several times to select `Forward Number` and press the **OK** button.
7. Enter the forwarding destination fax number directly from the numeric keypad on the control panel.
8. Press the **OK** button.

Sending Faxes

Loading documents

You can load the original either on the document table or in the Auto Document Feeder depending on the type of the original. For details, see “Setting Your Originals” on page 50.

Note:

- Before scanning a document, remember to respect the rights of copyright owners. Do not scan published text or images without first checking their copyright status.*
- If documents are placed both in the Auto Document Feeder and on the document table, only the documents in the Auto Document Feeder are scanned.*

Basics of sending faxes (automatic faxing)




1. Press the **Fax** button.
2. Place your original either on the document table or in the Auto Document Feeder. For details on how to set your original, see “Setting Your Originals” on page 50.
3. Enter the recipient’s fax number directly from the numeric keypad on the control panel.

Note:

To avoid mis-sending, you can require that the number be entered again. Press the **Setting** button, and then set **Direct Dialing Limits to Enter Twice in Transmission Settings of the Fax Settings menu.**

4. Make the appropriate settings for your fax if necessary.

Basic Setting Tab

Item	Settings (default in bold)
Document Size Selection	A4  , LT  , LGL 
Image Quality Selection	Draft, Fine , Super Fine, Ultra Fine, Photo
ADF Duplex Selection	Off (Simplex) , On (Duplex)
Fax Density Selection	-3 to 0 to 3

Advanced Tab

Item	Settings (default in bold)
Fax Speed	Fast(33,600bps), Medium(14,400bps) , Slow(9,600bps)
Send Fax Later	On , Off On: Specified Time 00:00 - 17:00 - 23:59
Continuous Scan from ADF	Off , On

5. Press the **Start** button to start the transmission.

Manual faxing

You can send faxes, after confirming that the telephone line is connected to the receiving system, by using the **Onhook** button or by attaching an external telephone to your printer.

If the printer is connected to a telephone, you can talk with the recipients before sending faxes.

1. Press the **Fax** button.
2. Place your original either on the document table or in the Auto Document Feeder. For details on how to set your original, see “Setting Your Originals” on page 50.
3. Make the appropriate settings if necessary. For details about the settings, see “Basics of sending faxes (automatic faxing)” on page 111.
4. Press the **Onhook** button, and then enter the recipient’s fax number directly from the numeric keypad on the control panel.

Note:

To avoid mis-sending, you can require that the number be entered again. Press the **Setting** button, and then set `Direct Dialing Limits to Enter Twice in Transmission Settings of the Fax Settings menu.`

When using an external telephone, enter the number with the telephone.

5. Make sure that the telephone line is connected, and then press the **Start** button.
6. Select `Manual Transmission`, and then press the **Start** button to start the transmission.

Note:

When using an external telephone, hang up the handset after `Hang Up Receiver` is displayed.

Sending faxes using speed-dial

When a recipient fax number is registered on the printer, you can send a fax by choosing the desired recipient from the speed-dial list in the LCD panel. You can register up to 500 recipient fax numbers on the printer.

Note:

Before using the speed-dial function, you need to register recipient fax information in advance. For details, see “Registering Recipients” on page 122.

1. Press the **Fax** button.
2. Place your original either on the document table or in the Auto Document Feeder. For details on how to set your original, see “Setting Your Originals” on page 50.
3. Press the **Address-book** button on the control panel.

The registered recipient list appears in the LCD panel.

4. Press the **F4** button to change the sort order, and select your desired recipient using the ▲, ▼, ◀, and ▶ buttons.

Note:

You can also select a group name for group-dial destinations.

5. Press the **F1** button.

Note:

To select multiple recipients, repeat step 4 and step 5.

6. Press the **OK** button.

Note:

Make the appropriate settings if necessary. For details about the settings, see “Manual faxing” on page 112.

7. Press the **Start** button to start the transmission.

Sending faxes using quick-dial

When a frequently used recipient fax number is assigned for the **Quick-Dial** button (**1** to **12**), you can send fax to the recipient by simply pressing the corresponding **Quick-Dial** button.

Note:

Before using the quick-dial function, you need to register recipient fax information in advance. For details, see “Registering Recipients” on page 122.

1. Place your original either on the document table or in the Auto Document Feeder. For details on how to set your original, see “Setting Your Originals” on page 50.
2. Press the **Quick-Dial** button on the control panel.

3. Make sure that your desired recipient is displayed on the LCD panel.

Note:

Make the appropriate settings if necessary. For details about the settings, see “Manual faxing” on page 112.

4. Press the **Start** button to start the transmission.

Sending faxes using re-dial

You can send a fax to the last dialed number by simply pressing the **Redial/Pause** button.

Note:

Once the mode is changed to other than Fax mode, you cannot use the redial function.

1. Place your original either on the document table or in the Auto Document Feeder. For details on how to set your original, see “Setting Your Originals” on page 50.
2. Press the **Redial/Pause** button on the control panel.
3. Make sure that your desired recipient is displayed on the LCD panel.

Note:

Make the appropriate settings if necessary. For details about the settings, see “Manual faxing” on page 112.

4. Press the **Start** button to start the transmission.

Sending faxes from your computer

You can send a fax directly from a computer, instead of printing documents on a computer and loading them to the printer to be faxed.

To use this function, install EpsonNet PC-FAX from the Software Disc supplied with the printer. For details on how to use, refer to its Help.

Note:

If your computer does not have a CD/DVD drive, go to the following Epson website to download and install the software.

<http://support.epson.net/setupnavi/>

The supported operation systems are Windows 8, 7, Vista, and XP.

Canceling faxes

Canceling while originals are being scanned

1. Press the **Stop** button.

A message is displayed in the LCD panel.

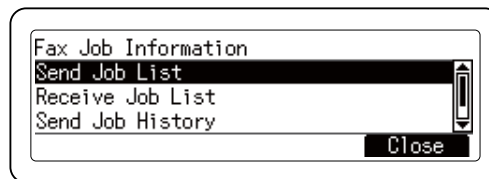
2. Press the **F3** button to select Yes.

The transmission is canceled.

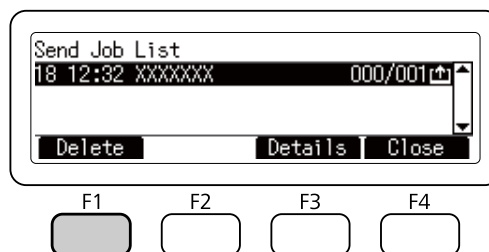
Canceling when originals are stored in memory

When the documents are already stored in the memory, the **Fax Memory** LED lights up. To cancel the stored jobs waiting to be sent, follow the instructions below.

1. Press the **Fax Memory** button.
2. Select **Send Job List** using the **▲** or **▼** button, and then press the **OK** button.



3. Select the job to be canceled using the **▲** or **▼** button, and then press the **F1** button.



4. Press the **F3** button to select Yes.

The stored job is deleted.

Receiving Faxes

About the reception mode

You can select from the following reception modes for receiving a call with this printer.

To change the modes, press the **Setting** button and specify the **Receive Mode** setting of **Reception Settings** in **Fax Settings**. For details, see “Fax Settings” on page 155.

Setting item	Description
Auto (Default)	When a call is received, the printer automatically answers after a certain duration specified by the Ext. Phone Count settings. Note that the external telephone rings during the specified duration if it is attached to the printer.
Manual	When a call is received, the attached phone rings. The printer never automatically answers, but you can answer it manually.

Basics of receiving faxes (automatic receiving)

When the printer receives a fax, the data is stored in the memory and printed automatically.





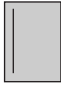
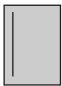






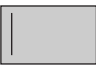
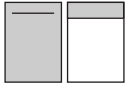
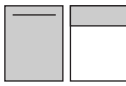

Note:

You cannot receive a fax under the following conditions.

- When you are scanning originals.*
- When you are sending fax document from a computer.*

Output paper size

The received fax can be printed in A4, Letter, or Legal. However, when the output paper size does not match the received data size, the image of the received data is divided according to the output paper size as follows.

Received document size	Cassette paper size		
	A4	Letter	Legal
A4 		Reduced* ² 	
A4 		Reduced* ² 	
Letter 	Trimmed* ³ 		
Legal 	Divided* ¹ Trimmed* ³ 	Divided* ¹ 	

In the list above, a shaded area indicates the printable area and a vertical line in the shaded area indicates the location of the header information (head of the original).

*¹ Divided: Received image is output on 2 pages.

*² Reduced: Received image is reduced to fit the paper.

*³ Trimmed: Both ends of the received image are trimmed.

Note:

When paper is loaded in both the MP tray and the optional paper cassette and the Paper Source setting in Setup Menu is set to Auto, paper in the MP tray is used for printing.

Receiving faxes after you hear fax tones

This function is used to print fax data after answering the incoming call using the external telephone.

1. Answer the call with the telephone when you receive a call.
2. Press the **Start** button.
3. Select **Manual Reception** and press the **Start** button.

The received data are printed by page as they are received.

Note:

After Hang Up Receiver is displayed, hang up the handset.

Sending received faxes to memory

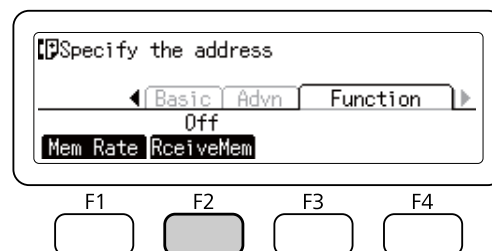
When the printer receives a fax, you can temporarily store the data in the printer's memory without printing it.

To use this function, the **Memory Reception** setting in the **Reception Settings** of the **Fax Settings** menu must be set to **Specify Time** or **Always**. For details about the settings, see "Fax Settings" on page 155.

Note:

You can set the start time and end time for the memory perception so that, for example, the faxes received during the night can be printed the next morning.

1. Press the **Fax** button.
2. Press the ◀ or ▶ button several times to select the **Function** tab and press the **F2** button.



3. Select **On** using the ▲ or ▼ button and press the **OK** button.

Sending received faxes to a shared folder

This function is used to convert the received fax data to a PDF format file and send it to a specified shared folder on the network.

To use this function, the Fax Output setting in the Reception Settings of the Fax Settings menu must be set to Folder. For details about the settings, see “Fax Settings” on page 155.

Note:

- ❑ *The folder address settings and network settings are also required before using this function. For details, see “Making transferring settings of received faxes” on page 108.*
- ❑ *When the printer receives a fax, the data is sent to the destination registered in Fax to Folder Settings in the Reception Settings menu. For details about the settings, see “Fax Settings” on page 155.*

Sending received faxes by e-mail

This function is used to send the received fax data as an e-mail attachment by converting the data to a PDF format file.

To use this function, the Fax Output setting in the Reception Settings of the Fax Settings menu must be set to E-Mail. For details about the settings, see “Fax Settings” on page 155.

Note:

- ❑ *The e-mail settings and network settings are also required to use this function. For details, see “Making transferring settings of received faxes” on page 108.*
- ❑ *When the printer receives a fax, the data is sent to the destination registered in E-mail Settings in the Reception Settings menu. For details about the settings, see “Fax Settings” on page 155.*

Forwarding a received fax

This function is used to forward the received fax data to a specified fax destination.

To use this function, the Fax Output setting in the Reception Settings of the Fax Settings menu must be set to Forward. For details about the settings, see “Fax Settings” on page 155

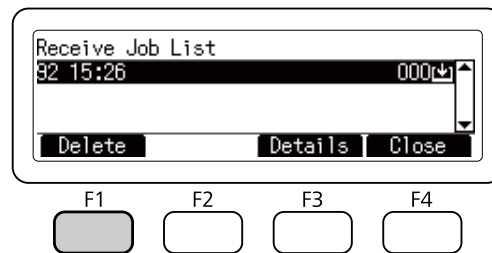
Note:

When the printer receives a fax, the data is sent to the destination registered in Forward Number in the Reception Settings menu. For details about the settings, see “Fax Settings” on page 155.

Deleting received faxes

When received documents are stored in the printer's memory, the **Fax Memory** LED lights up. To delete the stored jobs, follow the instructions below.

1. Press the **Fax Memory** button.
2. Select Receive Job List using the ▲ or ▼ button, and then press the **OK** button.
3. Select the job to be deleted using the ▲ or ▼ button, and then press the **F1** button.



4. Press the **F2** button to select Yes.

The stored job is deleted.

Using Advanced Functions

Displaying fax history information

1. Press the **Fax Memory** button.
2. Select Send Job History or Receive Job History using the ▲ or ▼ button, and then press the **OK** button.

The fax job history is displayed.

3. Press the **F4** button to close the fax job history.

Printing fax reports

You can print the fax reports such as speed-dial list, communication report or memory job information to check various information and transmission results.

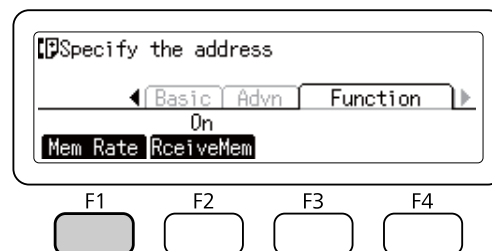
1. Press the **Setting** button.
2. Press the **▲** or **▼** button several times to select the System Report Printing, and then press the **OK** button.
3. Press the **▲** or **▼** button to select the report or list you want to print, and then press the **OK** button.

Printing starts.

Displaying memory

This function is used to check the printer's memory utilization.

1. Press the **Fax** button.
2. Press the **◀** or **▶** button several times to select the Function tab and press the **F1** button.



The memory utilization information is displayed.

Registering Recipients

When sending faxes using the speed-dial or quick-dial function, you need to register the recipient information in advance. You can register recipients from the **Address Settings** menu on the control panel.

**Important:**

While the **Fax Memory** LED is lit, do not change a recipient setting.

Using the Address Settings menu on the control panel

Registering for speed-dial

You can register up to 500 recipients in the speed-dial list.

1. Press the **Setting** button on the control panel.
2. Press the **▲** or **▼** button several times to select **Address Settings**, and then press the **OK** button.
3. Press the **▲** or **▼** button several times to select **Fax No.**, and then press the **OK** button.
4. Press the **▲** or **▼** button several times to select **Speed Dial Settings**, and then press the **OK** button.
5. Select an unregistered number displayed as **Not Registered** using the **▲** and **▼** buttons, and then press the **F3** button to select **Edit**.

Note:

To change a registered recipient to another one, select the number that you want to replace, and then press the **F3** button.

6. Enter the phone number you want to register, and then press the **OK** button.

Note:

To correct a number while entering it, use the **◀** and **▶** buttons to select a character and the **Clear** button to delete it.

7. Enter a recipient name using the numeric keypad, and then press the **OK** button.

Note:

- ❑ You can enter up to 20 characters for a recipient name.
- ❑ To correct a name while entering it, use the ◀ and ▶ buttons to select a character and the **Clear** button to delete it.
- ❑ Group-dial allows you to send documents to several people at the same time. You can create a group-dial list using *EpsonNet Config*.

The recipient is added to the speed-dial list.

Registering for quick-dial

You can assign recipients from the registered speed-dial list for the **Quick-Dial** buttons (1 to 12).

1. Press the **Setting** button on the control panel.
2. Press the ▲ or ▼ button several times to select `Address Settings`, and then press the **OK** button.
3. Press the ▲ or ▼ button several times to select `Fax No.`, and then press the **OK** button.
4. Press the ▲ or ▼ button several times to select `Quick Dial Settings`, and then press the **OK** button.
5. Select an unregistered number displayed as `Not Registered` using the ▲ and ▼ buttons, and then press the **F3** button to select `Editings`.

Note:

To change a recipient assigned for the quick-dial, select the number that you want to change a recipient, and then press the **F3** button.

6. Select a recipient you want to assign for quick-dial using the ▲ and ▼ buttons, and then press the **OK** button.

Note:

Press the **F4** button to confirm the detailed information about the registered speed-dial.

The selected recipient is assigned for the quick-dial.

Deleting all recipients

This function is used to collectively delete all the recipients registered to the speed-dial list or assigned to quick-dial.

1. Press the **Setting** button on the control panel.
2. Press the ▲ or ▼ button several times to select `Address Settings`, and then press the **OK** button.
3. Press the ▲ or ▼ button several times to select `Fax No.`, and then press the **OK** button.
4. Press the ▲ or ▼ button several times to select `Clear All Address`, and then press the **OK** button.
5. Press the **F3** button to select `Yes`.

All the recipients registered to the speed-dial list or assigned to quick-dial are deleted.

Chapter 7

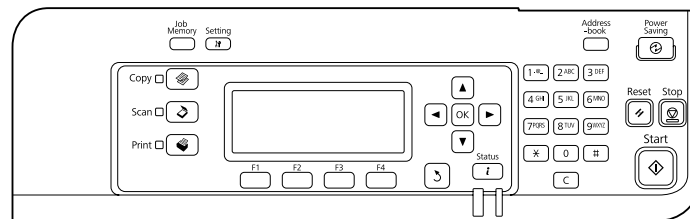
Using the Control Panel

Selecting a Mode

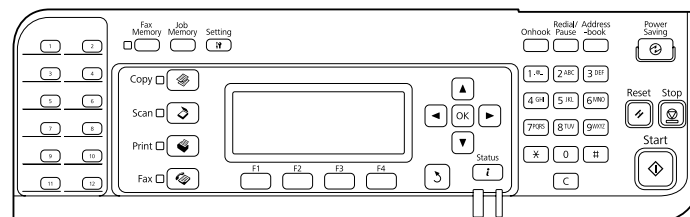
You can use this printer as a printer, copier, fax, and scanner. When the printer is turned on, it enters the Copy mode (default setting) automatically. When using one of these functions, select your desired function by pressing the corresponding **Mode** button on the control panel. Each mode's main screen appears in the LCD panel as you select the mode.

There are three **Mode** buttons (for DN model) or four **Mode** buttons (for DNF model) on the control panel that allow you to switch between the modes: Copy mode, Scan mode, Print mode, and Fax mode (DNF model only). In addition, you can also use the **Setting** button for making various settings for this printer. For details on the menu, see "Using the Control Panel Menu" on page 126.

DN model



DNF model



Note:

- ❑ The fax function is available for DNF model only.
- ❑ You can change the mode to enter when the printer is turned on in the Default Mode setting. For details, see "Admin Settings" on page 161.

- ❑ *If no button is pressed for more than 3 minutes, any changes made are canceled and the mode returns to the mode set for the Default Mode setting.*
- ❑ *You cannot switch between modes in the following cases.*
 - *When an error has occurred on the whole system such as a service call error or a system error.*
 - *When a job is being processed in any of the modes.*
- ❑ *Fax reception is available even while copying.*
- ❑ *For DNF model, TWAIN scan (only when the scanner is not operating) and printing using the host interface are available even in the Fax mode.*

Using the Control Panel Menu

Accessing the each menu

1. Press the **Setting** button on the control panel.
2. Use the ▲ and ▼ buttons to select your desired setup menu, and then press the **OK** button to view the items in the Settings menu.
3. Use the ▲ and ▼ buttons to scroll through the menus, and then press the **OK** button to view the items available for the menu.
4. Use the ▲ and ▼ buttons to scroll through the items, and then press the **OK** button to carry out the operation indicated by the selected item, or to view the values available for the item.
5. Use the ▲ and ▼ buttons to specify the value.
6. Press the **Return** button several times to exit the menu.

Note:

Use the same procedure in other modes to specify a value or do operations.

How to register menus as job memory

Registering a menu as a standard menu

You can register a frequently used setting menu as a standard menu for each mode, so that the menu appears on the first screen when you press the **Mode** buttons.

1. Press the **Copy**, **Scan**, or **Fax** button on the control panel.
2. Make the desired setting.
3. Press the **Setting** button on the control panel.
4. Press the ▲ or ▼ button several times to select `Copy Settings`, `Scan Settings`, or `Fax Settings`, and then press the **OK** button.
5. Press the ▲ or ▼ button several times to select `Standard Copy Settings`, `Standard Scan Settings`, or `Standard Fax Settings`, and then press the **OK** button.
6. Press the **F3** button to select `Yes`.

The menu is registered as a standard menu.

Registering and calling the job memory

You can register frequently used settings for Copy mode and Scan mode as job memories. The registered settings can be called up when copying or scanning.

Registering a job memory

1. Press the **Copy** or **Scan** button on the control panel.
2. Make the desired setting.
3. Press the **Job Memory** button on the control panel.
4. Press the ▲ or ▼ button several times to select a job memory.
5. Press the **F2** button to select `Register`.

Note:

*To delete the registered settings in the job memory, press the **F2** button.*

6. Press the **F2** button to select **Yes**.

The settings are registered in a job memory.

7. Press the **F4** button to exit the menu.

Calling up the job memory

1. Press the **Job Memory** button on the control panel.
2. Press the ▲ or ▼ button several times to select a desired job memory.
3. Press the **F1** button to select **Call**.

The registered settings are reflected.

Language Settings

Item	Settings (default in bold)
Language	English , Français, Deutsch, Italiano, ESPAÑOL, Nederlands, Português, CATALÀ, 繁體中文

System Settings

System Information

The following information is displayed.

- Main Version
- Fax Version
- MCU Version
- Serial No
- Memory

- ❑ MAC Address

System Report Printing

Item	Values
Print Configuration Status Sheet	-
Print Supplies Status Sheet	-
Print Usage History Sheet	-
Reserve Job List*1	-
Network Status Sheet*2	-
Job Memory List	-
E-mail Address List	-
Folder List	-
Fax Dial List	-
Fax Log	-
Fax Job List	-
Fax Protocol Trace	-
Check Fax Connection	-
PS3 Status Sheet	-
PS3 Font List	-
PCL Font Sample	-
ESCP2 Font Sample	-
FX Font Sample	-
I239X Font Sample	-

*1 Available only when the jobs are stored by using the Reserve Job feature.

*2 Available only when the Network I/F setting in Network Menu is set to On.

Print Configuration Status Sheet

Prints a sheet showing the current printer settings and installed options. This sheet can be useful to confirm whether option have been installed correctly.

Print Supplies Status Sheet

Prints a sheet showing information about consumables.

Print Usage History Sheet

Prints a sheet showing the history of the printer's usage.

Reserve Job List

Prints a list of reserved print jobs stored on the printer's memory.

Network Status Sheet

Prints a sheet showing the working status of the network.

Job Memory List

Prints a sheet showing the current job memory settings.

E-mail Address List

Prints a list of registered mail addresses.

Folder List

Prints a sheet showing information about registered folders in which data is saved.

Fax Dial List

Prints a list of speed-dial, quick-dial, and group-dial numbers.

Fax Log

Prints Fax Log and Fax Output Report.

Fax Job List

Prints waiting fax job information, such as faxes that are queued for transmission or printing.

Fax Protocol Trace

Prints a protocol log for fax communications.

Check Fax Connection

Diagnosis the fax connection and prints a report.

PS3 Status Sheet

Prints a sheet showing information about the PS3 mode such as the PS3 version.

PS3 Font List, PCL Font Sample, ESCP2 Font Sample, FX Font Sample, I239X Font Sample

Prints a sample of the fonts available for your selected printer emulation.

Common Settings

Setup Menu

Item	Settings (default in bold)
Operation Time Out	10 , 20, 30, 60, 90, 120, 150, 180, 300, 600 sec
Operation Time	Off, 10 , 20, 30, 60 sec
I/F Time Out	0, 5 to 60 to 300 in increments of 1
MP Tray Priority	Normal , Last
Manual Feed	Off , 1st Page, EachPage
Copies	1 to 999
Duplex ^{*1}	Off, On
Binding ^{*1}	Long Edge , Short Edge
Start Page ^{*1}	Front , Back
Skip Blank Page ^{*2}	Off , On
Auto Eject Page ^{*2}	Off , On

Item	Settings (default in bold)
Size Ignore	Off , On
Auto Cont	Off , On
Page Protect ^{*3}	Auto , On
A4/LT Auto Switching	On , Off
Extended Mode	Off , On
LCD Contrast	0 to 7 to 15
LCD Backlight	Auto , Off
B/W Reverse Disp.	Off , On
Sound Volume	Operation Sound: Off, Medium , Large Finish Sound: Off , Medium, Large Caution Sound: Off , Medium, Large
RAM Disk	Off , Normal, Maximum
Convert to Simplex	Odd Page , 1 Page, Off
Confirm Media Type	No , Yes
Job Information ^{*4}	Display Pattern 1, Display Pattern 2, Off
Local Time Diff.	-14:00 ... 0:00 ... +14:00
Time Setting	2010/ 01/01 00:00 to 2098/12/31 23:59
Date Format	DD/MM/YY , MM/DD/YY, YY/MM/DD

*1 Available only when you use A4 or LT size paper.

*2 Available only for ESC/Page, ESC/P2, FX, or I239X mode.

*3 Not available in PS3 and PCL.

*4 If **CATALÀ** or 繁體中文 is selected as the language when the printer is turned on for the first time after you purchase it, the default value is Off. If another language is selected, the default value is Display Pattern 1.

Operation Time Out

Set the time till the time out that occurs after finishing operations on the control panel. If the specified time has passed, the screen will return to the mode set for the `Default Mode` setting.

Operation Time

Set the time in which operations for the control panel are not interrupted by another print job. If the specified time has passed, the other print job is executed.

I/F Time Out

Specifies the length of the time, in seconds, before a time out when interfaces are being switched automatically. The time before a time out occurs is the length of time from the point when no data is being received from an interface until the point of switching the interface. If the printer has a print job when switching the interface, the printer prints the print job.

MP Tray Priority

This setting determines whether the MP tray has the highest or lowest priority when **Auto** is selected as the Paper Source setting in the printer driver. When **Normal** is selected as the MP Tray Priority, the MP tray has the highest priority as the paper source. If you select **Last**, the MP tray has the lowest priority.

Manual Feed

Allows you to select the manual feed mode for the MP tray.

Copies

Designates the number of copies to be printed, from 1 through 999.

Duplex

Turns duplex printing on or off. This allows you to print on both sides of a page.

Binding

Specifies the binding direction of the printout.

Start Page

Specifies whether duplex printing starts from the front or back of the page.

Skip Blank Page

Enables you to skip blank pages when printing.

Auto Eject Page

Specifies whether or not to eject paper when the limit specified in the I/F Time Out setting is reached. The default is Off, which means paper is not ejected when the time-out limit is reached.

Size Ignore

If you want to ignore a paper size error, select On. When you turn this item on, the printer keeps printing even if the image size exceeds the printable area for the specified paper size. This may cause smudges because of the toner that is not transferred onto the paper properly. When this item is turned off, the printer stops printing if a paper size error occurs.

Auto Cont

When you turn this setting on, the printer automatically continues printing after a certain period of time when one of the following errors occurs: Paper Set, Print Overrun, or Memory Overflow. When this option is off, you must press the **Start** button to resume printing.

Page Protect

Allocates additional printer memory for printing data, as opposed to receiving it. You may need to turn this setting on if you are printing a very complex page. If a Print Overrun error message appears on the LCD panel during printing, turn this setting on and reprint your data. This reduces the amount of memory reserved for processing data so your computer may take longer to send the print job, but it will allow you to print complex jobs. Page Protect usually works best when Auto is selected.

Note:

Changing the Page Protect setting reconfigures the printer's memory, which causes any downloaded fonts to be deleted.

A4/LT Auto Switching

When A4 or Letter size paper is selected for printing and there is no paper source set to the selected paper size, the printout is output in an alternate paper size (Letter for A4, or A4 for Letter).

Extended Mode

If On is selected, printing continues even after the Replace Toner Cartridge error message appears on the LCD panel. However, the printing quality is not guaranteed, and the service life of the photoconductor unit may be affected. When a new toner cartridge is installed, the setting automatically returns to Off.

LCD Contrast

Adjusts the contrast of the LCD panel. Use the ▲ and ▼ buttons to set the contrast between 0 (lowest contrast) and 15 (highest contrast.)

LCD Backlight

If **Auto** is selected, the LCD backlight lights. Also, it turns off during Sleep or Deep Sleep mode. If **Off** is selected, the LCD backlight is always off.

B/W Reverse Disp.

Enables you to reverse the color of the LCD panel.

Sound Volume

Specifies the volume of sound produced when a button is pressed, fax or scan operation is completed, or an error occurs.

RAM Disk

Specifies the amount of RAM to be used for the Reserve Job function.

Convert to Simplex

In the duplex printing mode, specifies whether to print the last page of a job in one side printing mode. Setting **Odd Page** or **1 Page** can prevent the last page from being printed on an unexpected page when you are printing on preprinted paper or hole-punched paper.

Odd Page: 1-page jobs or the last page of a job with an odd number of pages are printed in one side printing mode.

1 Page: 1-page jobs are printed in one side printing mode.

Off: The last page of all jobs (including 1-page jobs or jobs with an odd number of pages) is printed in duplex printing mode.

Confirm Media Type

Displays a message when the paper type in the tray selected for printing is different from that selected on Paper Type in the printer driver.

Job Information

Print Job Check can be displayed when you press the **Status** button on the control panel, which allows you to skip or cancel print jobs on the job list. The pattern of items displayed on the control panel can be selected from Display Pattern 1 and Display Pattern 2. Do not select Display Pattern 1 when the following languages are selected as Language on Setup Menu: **CATALÀ**, 繁體中文.

Local Time Diff.

Specifies the current date and time by entering the time difference from Greenwich Mean time.

Time Setting

Specifies the current date and time by entering them directly.

Date Format

Specifies the format to display the date.

USB Menu

Item	Settings (default in bold)
USB I/F ^{*1}	On , Off
USB Speed ^{*1 *2}	HS , FS
Buffer Size ^{*1 *2}	Normal , Maximum, Minimum

^{*1} After this item is changed, the setting value takes effect after a warm boot or after the power is turned on again. While it is reflected in the Status Sheet and EJM read-back, the actual change takes effect after a warm boot or after the power is turned on again.

^{*2} Available only when USB I/F is set to On.

USB I/F

Allows you to activate or deactivate the USB interface.

USB Speed

Allows you to select the operation mode of USB interface. Selecting **HS** is recommended. Select **FS** if **HS** does not work on your computer system.

Buffer Size

Determines the amount of memory to be used for receiving data and printing data. If **Maximum** is selected, more memory is allocated for receiving data. If **Minimum** is selected, more memory is allocated for printing data.

Note:

- ❑ To activate **Buffer Size** settings, you must turn off the printer for more than five seconds then turn it back on. Or, you can perform a **Reset All** operation, as explained in “Reset Menu” on page 140.
- ❑ Resetting the printer erases all print jobs. Make sure the **Data** light is not flashing when you reset the printer.

Network Menu

See the *Network Guide* for each setting.

USB Host Menu

This menu allows you to use the USB Host printing function. For instructions on using the function, see “Printing Directly from a USB Memory” on page 75.

Item	Settings (default in bold)
USB Host*	On , Off

* After this item is changed, the setting value takes effect after a warm boot or after the power is turned on again. While it is reflected in the Status Sheet and EJM read-back, the actual change takes effect after a warm boot or after the power is turned on again.

USB Host

Enables you to print directly from a USB memory via a USB Host interface.

E-mail Server Settings

Item	Settings (default in bold)
Auth Method	Off , POP before SMTP, SMTP Auth* ¹
Auth Account* ²	Up to 30 characters

Item	Settings (default in bold)
Auth Password* ²	Up to 20 characters
Sender Address	Up to 255 characters
SMTP Server Addr* ³	Up to 255 characters
SMTP Srvr Port Num	1 ... 25 ... 65535
POP3 Server Addr* ³	Up to 255 characters
POP3 Srvr Port Num	1 ... 110 ... 65535
Connection Test	-

*¹ Authenticates automatically using the LOGIN, PLAIN, or CRAM-MD5 method.

*² Common for both SMTP and POP3.

*³ Either an IP address or a host name can be entered.

Note:

- If you have any questions about mail server settings, ask the mail server administrator.*
- The following characters can be entered to Auth Account, Auth Password, Sender Address, SMTP Server Addr, and POP3 Server Addr, using the Numeric Keyboard.*

	Alphabetic/Symbol	Numeric
1	@,./	1
2	a b c A B C	2
3	d e f D E F	3
4	g h i G H I	4
5	j k l J K L	5
6	m n o M N O	6
7	p q r s P Q R S	7
8	t u v T U V	8
9	w x y z W X Y Z	9
0	Space	0
*		*

	Alphabetic/Symbol	Numeric
#	-. * # ! " , ; : ` _ = / ' ? \$ @ % & + ¥ ~ ^ () [] { } < >	#

Energy Saver Menu

Item	Settings (default in bold)
Time to Sleep	1 , 3, 5, 15, 30, 60, 120 min
Deep Sleep Mode	On , Off
Power Off Timer*	On , Off
Time to Off*	120, 180, 240, 360, 480 min

* For DN models sold in the EU only

Time to Sleep

Specifies the length of the time until the printer enters the sleep mode or deep sleep mode if there are no button operations and no jobs to be printed.

Deep Sleep Mode

When this setting is set to **On**, the printer switches into the deep sleep mode at the time specified in the **Time to Sleep** setting if the printer is not operated or receives no jobs. In the deep sleep mode, the **Power Saving** button lights and more power is saved than when in the sleep mode.

Note:

The printer does not enter the deep sleep mode in the following cases:

- PS3 is selected in Network of Emulation Menu.
- MS Network is set to On in Network Menu.

To recover from the deep sleep mode, press the **Power Saving** button. The printer recovers automatically when it receives a print job.

Power Off Timer (Power Off mode) (For DN models sold in the EU only)

When this setting is set to **On**, the printer automatically turns off at the time specified in the **Time to Off** setting. The printer does not enter the power off mode if it is receiving or sending data.

The printer recovers from the power off mode when the power switch is turned on.

Time to Off (For DN models sold in the EU only)

Specifies the length of the time until the printer enters the power off mode if there are no button operations and no jobs to be printed.

Note:

You can adjust the time before power management is applied. Any increase will affect the product's energy efficiency. Please consider the environment before making any change.

Reset Menu

Clear Warning

Clears warning messages that show errors except for these that occur from consumable products or mandatory-replacement parts.

Clear All Warnings

Clears all warning messages that appear on the LCD panel.

Reset All

Stops printing and clears the printer memory. The print jobs received from all interfaces are erased.

Note:

Performing Reset All clears print jobs received from all interfaces. Be careful not to interrupt someone else's job.

Reset Fuser Counter

Reset the fuser unit life counter when you replace the fuser unit. For instructions on replacing the fuser unit, see the documentation supplied with the fuser unit.

Printer Settings

Tray Menu

Item	Settings (default in bold)
MP Tray Size	A4 , A5, A6, B5, LT, HLT, LGL, GLT, GLG, EXE, F4, MON, DL, C6, CTM
MP Tray Type	Plain , SemiThk, Preprinted, Letterhead, Recycled, Color, Labels, Thick, ExtraThk, Envelope, Special
Cassette1 Size	A4 , A5, A6, B5, LT, HLT, LGL, GLT, GLG, EXE, F4, CTM
Cassette2 Size*	A4 , A5, B5, LT, HLT, LGL, GLT, GLG, EXE, F4, CTM
Cassette1 Type/ Cassette2 Type*	Plain , SemiThk, Preprinted, Letterhead, Recycled, Color, Labels, Thick, ExtraThk, Special
MP Tray AutoSel	On , Off
Cassette1 AutoSel/Cassette2 AutoSel*	On , Off

* Available only when the optional paper cassette unit is installed.

MP Tray Size

Select your paper size from this menu.

MP Tray Type

Lets you set the paper type loaded in the MP tray.

Cassette1 Size/ Cassette2 Size

Displays the paper size loaded in the standard and optional paper cassettes.

Cassette1 Type/ Cassette2 Type

Lets you select the paper type loaded in the standard and optional paper cassettes.

MP Tray AutoSel/ Cassette1 AutoSel/ Cassette2 AutoSel

Specifies whether the tray can be selected for printing when Paper Source is selected for Auto Selection in the printer driver.

Printing Menu

Note:

The settings are overridden by the settings made in the printer driver.

Item	Settings (default in bold)
Page Size	A4 , A5, A6, B5, LT, HLT, LGL, GLT, GLG, EXE, F4, MON, DL, C6, CTM* ¹
Wide A4	Off , On
Media Type	Unspecified , Plain, SemiThk, Preprinted, Letterhead, Recycled, Color, Labels, Thick, ExtraThk, Envelope, Special
Page Side	Front , Back
Paper Source	Auto , MP Tray, Cassette1, Cassette2* ²
Orientation	Port , Land
Resolution	300, 600 , 1200
RItech	On , Off
Toner Save	Off , On
Density	1 to 3 to 5
Emphasize Thin Lines	Off, On
Top Offset	-99.0 ... 0.0 ... 99.0mm in 0.5 increments
Left Offset	-99.0 ... 0.0 ... 99.0mm in 0.5 increments
T Offset B	-99.0 ... 0.0 ... 99.0mm in 0.5 increments
L Offset B	-99.0 ... 0.0 ... 99.0mm in 0.5 increments

*¹ The minimum and maximum of custom paper sizes vary depending on the tray.

(MP Tray/Standard lower paper cassette)

Minimum: 76.2 × 127.0 mm, maximum: 215.9 × 355.6 mm

(Optional paper cassette)

Minimum: 139.7 × 210.0 mm, maximum: 215.9 × 355.6 mm

*² Available only when the optional paper cassette unit is installed.

Page Size

Specifies the paper size.

Wide A4

Selecting **On** decreases the left and right margins to 3.4 mm.

Media Type

Specifies the paper type.

Page Side

Select **Front** when printing on the front of normal paper (Plain), thick paper (Thick), or extra thick paper (Extra Thick).

Paper Source

Specifies whether paper feeds into the printer from the MP tray, the standard lower paper cassette, or the optional paper cassette unit.

If you select **Auto**, paper feeds from the paper source containing paper that matches your Paper Size setting.

Orientation

Specifies whether the page is printed in portrait or landscape orientation.

Resolution

Specifies the printing resolution.

RI Tech

Turning on RI Tech (Resolution Improvement Technology) produces smoother and crisper lines, text, and graphics.

Toner Save

When this setting is selected, the printer saves toner by substituting a gray shade for the black inside of characters. The characters are outlined in full black on the right and lower edges.

Density

Specifies the printing density.

Emphasize Thin Lines

Adjusts the weight of thin lines so they are printed clearly.

Top Offset

Makes fine adjustments to the vertical printing position of the page.



Important:

Make sure that the printed image does not extend beyond the edge of the paper. Otherwise, you may damage the printer.

Left Offset

Makes fine adjustments to the horizontal printing position of the page. This is useful for fine adjustments.



Important:

Make sure that the printed image does not extend beyond the edge of the paper. Otherwise, you may damage the printer.

T Offset B

Adjusts the vertical printing position on the back of the paper when printing on both sides. Use this if the printout on the back is not where you expected.

L Offset B

Adjusts the horizontal printing position on the back of the paper when printing on both sides. Use this if the printout on the back is not where you expected.

Emulation Menu

Note:

You can specify different emulations for each interfaces.

Item	Settings (default in bold)
USB	Auto , ESCP2, FX, I239X, PS3, PCL
Network	Auto , ESCP2, FX, I239X, PS3, PCL

PCL Menu

These settings are available in the PCL mode.

Item	Settings (default in bold)
FontSource	Resident , Download* ¹
Font Number	0 ... 65535 (depending on your settings)
Pitch* ²	0.44 ... 10.00 ... 99.99cpi in 0.01cpi increment
Height* ²	4.00 ... 12.00 ... 999.75pt in 0.25pt increment
SymSet	IBM-US , Roman-8, Roman-9, ECM94-1, 8859-2 ISO, 8859-9 ISO, 8859-10ISO, 8859-15ISO, PcBlt775, IBM-DN, PcMultiling, PcE.Europe, PcTk437, PcEur858, Pc1004, WiAnsi, WiE.Europe, WiTurkish, WiBALT, DeskTop, PsText, VeInternati, VeUS, MsPublishin, Math-8, PsMath, VeMath, PiFont, Legal, UK, ANSI ASCII, Swedis2, Italian, Spanish, German, Norweg1, French2, Windows, McText, Hebrew7, 8859-8 ISO, Hebrew8, Arabic8, OCR A, OCR B, Pc866Cyr, Pc866Ukr, WinCyr, ISOCyr, Pc8Grk, Pc851Grk, WinGrk, ISOGrk, Greek8, Pc862Heb, Pc864Ara, HPWARA
Form	5 ... 64 ... 128Lines
CR Function	CR , CR+LF
LF Function	LF , CR+LF
Tray Assign	4K , 5S, 4

*¹ Available only when downloaded fonts are available.

*² Depending on the font that has been selected.

FontSource

Sets the default font source.

Font Number

Sets the default font number for the default font source. The available number depends on the settings you made.

Pitch

Specifies the default font pitch if the font is scalable and of fixed-pitch. You can select from 0.44 to 99.99 cpi (characters per inch), in 0.01-cpi increments. This item may not appear depending on the FontSource or Font Number settings.

Height

Specifies the default font height if the font is scalable and proportional. You can select from 4.00 to 999.75 points, in 0.25-point increments. This item may not appear depending on the FontSource or Font Number settings.

SymSet

Selects the default symbol set. If the font you selected in FontSource and Font Number is not available in the new SymSet setting, the FontSource and the Font Number settings are automatically replaced with the default value, IBM-US.

Form

Selects the number of lines for the selected paper size and orientation. This also causes a line spacing (VMI) change, and the new VMI value is stored in the printer. This means that later changes in the Page Size or Orientation settings cause changes in the Form value, based on the stored VMI.

CR Function, LF Function

These functions are included for users of particular operating systems, such as UNIX.

Tray Assign

Changes the assignment for the paper source select command. When 4 is selected, the commands are set as compatible with the HP LaserJet 4. When 4K is selected, the commands are set as compatible with the HP LaserJet 4000, 5000, and 8000. When 5S is selected, the commands are set as compatible with the HP LaserJet 5S.

PS3 Menu

Item	Settings (default in bold)
Error Sheet	Off , On
Image Protect	Off, On
Binary	Off , On
Text Detection	Off , On
PDF Page Size	Auto, A4 , A5, A6, B5, LT, HLT, LGL, GLT, GLG, EXE, F4, MON, DL, C6

Error Sheet

When you select **On**, the printer prints out an error sheet when an error occurs in the PS3 mode or when the PDF file you tried to print is not a supported version.

Image Protect

When **On** is selected, the print quality is not reduced even with insufficient memory. In that case, **Memory Overflow** is displayed and the printing is stopped.

When **Off** is selected, the print quality is reduced with insufficient memory. In that case, **Image Optimum** is displayed and the printing is continued.

Binary

Specifies the data format. Select **On** for the Binary data and select **Off** for the ASCII data.

Note:

Binary can only be used with network connection.

To use the Binary data, make sure your application supports Binary data and that **SEND CTRL-D Before Each Job** and **SEND CTRL-D After Each Job** are set to **No**.

When this setting is set to **On**, you cannot use TBCP (Tagged binary communication protocol) in the printer driver settings.

Text Detection

When you select **On**, the text file is converted to a PostScript file when printing. This setting is available only when you select **PS3** in the **Emulation Menu**.

PDF Page Size

Specifies the paper size when you send the PDF file directory from a computer or some other device. If **Auto** is selected, the paper size is determined based on the size of the first page that is printed.

ESCP2 Menu

Item	Settings (default in bold)
Font	Courier , Prestige, Roman, Sans serif, Roman T, Orator S, Sans H, Script, OCR A, OCR B
Pitch	10 cpi , 12cpi, 15cpi, Prop.

Item	Settings (default in bold)
Condensed	Off , On
T.Margin	0.40 ... 0.50 ... 1.50inch in 0.05-inch increments
Text	1 ... 66 ... 81Lines
CGTable	PcUSA , Italic, PcMultilin, PcPortugue, PcCanFrenc, PcNordic, PcTurkish2, Pclcelandic, PcE.Europe, BpBRASCIi, BpAbicomp, Roman-8, PcEur858, ISO Latin1, 8859-15ISO, PcSI437, PcTurkish1, 8859-9ISO, Mazowia, CodeMJK, PcGk437, PcGk851, PcGk869, 8859-7ISO, PcCy855, PcCy866, PcUkr866, PcLit771, Bulgarian, Hebrew7, Hebrew8, PcHe862, PcAr864, PcAr864Ara, PcAr720, PcLit774, Estonia, ISO Latin2, PcLat866
Country	USA , France, Germany, UK, Denmark, Sweden, Italy, Spain1, Japan, Norway, Denmark2, Spain2, LatinAmeric, Korea, Legal
Auto CR	On , Off
Auto LF	Off , On
Bit Image	Dark , Light, BarCode
ZeroChar	0 , (or the zero character with a slash)

Font

Selects the font.

Pitch

Selects the pitch (the horizontal spacing) of the font in fixed pitch, measured in cpi (characters per inch). You can also choose proportional spacing.

Condensed

Turns condensed printing on or off.

T.Margin

Sets the distance from the top of the page to the baseline of the first printable line. The distance is measured in inches. The smaller the value, the closer the printable line is to the top.

Text

Sets the page length in lines. For this option, a line is assumed to be 1 pica (1/6 inch). If you change the *Orientation*, *Pape Size*, or *T.Margin* settings, the page length setting automatically returns to the default for each paper size.

CGTable

Use the character generator (CG) table option to select the graphics character table or the italics table. The graphics table contains graphic characters for printing lines, corners, shaded areas, international characters, Greek characters, and mathematical symbols. If you select *Italic*, the upper half of the character table is defined as italic characters.

Country

Use this option to select one of the fifteen international symbol sets. See the *Font Guide* for samples of the characters in each country's symbol set.

Auto CR

Specifies whether the printer performs a carriage-return/line-feed (CR-LF) operation whenever the printing position goes beyond the right margin. If you select *Off*, the printer does not print any characters beyond the right margin and does not perform any line wrapping until it receives a carriage-return character. This function is handled automatically by most applications.

Auto LF

If you select *Off*, the printer does not send an automatic line-feed (LF) command with each carriage-return (CR). If *On* is selected, a line-feed command is sent with each carriage-return. Select *On* if your text lines overlap.

Bit Image

The printer is able to emulate the graphics densities set with the printer commands. If you select *Dark*, the bit image density is high, and if you select *Light*, the bit image density is low.

If you select *BarCode*, the printer converts bit images to bar codes by automatically filling in any vertical gaps between dots. This produces unbroken vertical lines that can be read by a bar code reader. This mode will reduce the size of the image being printed, and may also cause some distortion when printing bit image graphics.

ZeroChar

Specifies whether the printer prints a slashed or unslashed zero.

FX Menu

Item	Settings (default in bold)
Font	Courier , Prestige, Roman, Sans serif, Script, Orator S, OCR A, OCR B
Pitch	10cpi , 12cpi, 15cpi, Prop.
Condensed	Off , On
T.Margin	0.40 ... 0.50 ... 1.50inch in 0.05-inch increments
Text	1 ... 66 ... 81Lines
CGTable	PcUSA , Italic, PcMultilin, PcPortugue, PcCanFrenc, PcNordic, PcTurkish2, Pclcelandic, PcE.Europe, BpBRASCII, BpAbicomp, Roman-8, PcEur858, ISO Latin1, 8859-15ISO
Country	USA , France, Germany, UK, Denmark, Sweden, Italy, Spain1, Japan, Norway, Denmark2, Spain2, LatinAmeric
Auto CR	On , Off
Auto LF	Off , On
Bit Image	Dark , Light, BarCode
ZeroChar	0 , (or the zero character with a slash)

Font

Selects the font.

Pitch

Selects the pitch (the horizontal spacing) of the font in fixed pitch, measured in cpi (characters per inch). You can also choose proportional spacing.

Condensed

Turns condensed printing on or off.

T.Margin

Sets the distance from the top of the page to the baseline of the first printable line. The distance is measured in inches. The smaller the value, the closer the printable line is to the top.

Text

Sets the page length in lines. For this option, a line is assumed to be 1 pica (1/6 inch). If you change the *Orientation*, *Pape Size*, or *T.Margin* settings, the page length setting automatically returns to the default for each paper size.

CGTable

Use the character generator (CG) table option to select the graphics character table or the italics table. The graphics table contains graphic characters for printing lines, corners, shaded areas, international characters, Greek characters, and mathematical symbols. If you select *Italic*, the upper half of the character table is defined as italic characters.

Country

Use this option to select one of the thirteen international symbol sets. See the *Font Guide* for samples of the characters in each country's symbol set.

Auto CR

Specifies whether the printer performs a carriage-return/line-feed (CR-LF) operation whenever the printing position goes beyond the right margin. If you select *Off*, the printer does not print any characters beyond the right margin and does not perform any line wrapping until it receives a carriage-return character. This function is handled automatically by most applications.

Auto LF

If you select *Off*, the printer does not send an automatic line-feed (LF) command with each carriage-return (CR). If *On* is selected, a line-feed command is sent with each carriage-return. Select *On* if your text lines overlap.

Bit Image

The printer is able to emulate the graphics densities set with the printer commands. If you select *Dark*, the bit image density is high, and if you select *Light*, the bit image density is low.

If you select *BarCode*, the printer converts bit images to bar codes by automatically filling in any vertical gaps between dots. This produces unbroken vertical lines that can be read by a bar code reader. This mode will reduce the size of the image being printed, and may also cause some distortion when printing bit image graphics.

ZeroChar

Selects whether the printer prints a slashed or unslashed zero.

I239X Menu

The I239X mode emulates IBM® 2390/2391 Plus commands.

These settings are available only when the printer is in the I239X mode.

Item	Settings (default in bold)
Font	Courier , Prestige, Gothic, Orator, Script, Presentor, Sans serif
Pitch	10cpi , 12cpi, 15cpi, 17cpi, 20cpi, 24cpi, Prop.
Code Page	437 , 850, 858, 860, 863, 865
T.Margin	0.30 ... 0.40 ...1.50inch in 0.05-inch increments
Text	1 ... 67 ... 81Lines
Auto CR	Off , On
Auto LF	Off , On
Alt. Graphics	Off , On
Bit Image	Dark , Light
ZeroChar	0 , (or the zero character with a slash)
CharacterSet	1, 2

Font

Selects the font.

Pitch

Selects the pitch (the horizontal spacing) of the font in fixed pitch, measured in cpi (characters per inch). You can also choose proportional spacing.

Code Page

Selects the character tables. Character tables contain the characters and symbols used by different languages. The printer prints text based on the selected character table.

T.Margin

Sets the distance from the top of the page to the baseline of the first printable line. The distance is measured in inches. The smaller the value, the closer the printable line is to the top.

Text

Sets the page length in lines. For this option, a line is assumed to be 1 pica (1/6 inch). If you change the Orientation, Page Size, or Top Margin settings, the page length setting automatically returns to the default for each paper size.

Auto CR

Specifies whether the printer performs a carriage-return/line-feed (CR-LF) operation whenever the printing position goes beyond the right margin. If this setting is off, the printer does not print any characters beyond the right margin and does not perform any line wrapping until it receives a carriage-return character. This function is handled automatically by most applications.

Auto LF

If you select Off, the printer does not send an automatic line-feed (LF) command with each carriage-return (CR). If On is selected, a line-feed command is sent with each carriage-return. Select On if your text lines overlap.

Alt. Graphics

Turns the Alternate Graphics option on or off.

Bit Image

The printer is able to emulate the graphics densities set with the printer commands. If you select Dark, the bit image density is high, and if you select Light, the bit image density is low.

If you select BarCode, the printer converts bit images to bar codes by automatically filling in any vertical gaps between dots. This produces unbroken vertical lines that can be read by a bar code reader. This mode will reduce the size of the image being printed, and may also cause some distortion when printing bit image graphics.

ZeroChar

Selects whether the printer prints a slashed or unslashed zero.

CharacterSet

Selects character table 1 or 2.

Copy Settings

High Compression

Compresses the original data to increase the number of pages of an original that can be copied for a single job.

Item	Settings (default in bold)
High Compression	On , Off

Standard Copy Settings

Changes copy activity settings to their standard settings.

Item	Settings
Standard Copy Settings	-

Scan Settings

Network Scan Settings

Enables you to scan from a computer on a network.

Item	Settings (default in bold)
Network Scan Settings	Permit , Not Permit

E-mail Settings

Specifies the maximum size of scanned data for an e-mail attachment.

Item	Settings (default in bold)
Max File Size	1MB, 2MB , 5MB, 10MB

Buffer Size

Specifies the maximum size of memory in which to save scanned data temporarily when saving to a shared folder or computer. Increase the setting value to scan many pages at one time.

Item	Settings (default in bold)
Buffer Size	10MB to 64MB in increments of 1MB

Standard Scan Settings

Changes scan activity settings to their standard settings.

Item	Settings
Standard Scan Settings	-

Fax Settings

Note:

This is available for DNF model only.

Basic Settings

Item	Settings (default in bold)
Line Type	PSTN , PBX
PSTN Number	0 to 9, *, #, None
Personal Settings	Name: up to 20 characters Number*: up to 20 digits
Speaker Volume	Off, 1, 2 , 3

Item	Settings (default in bold)
Area Settings	Austria, Belgium, Czech, Denmark, Finland, France, Germany, Greece, Holland, Hungary, Ireland, Italy, Luxemburg, Norway, Poland, Portugal, Spain, Sweden, Switzerland, Taiwan, U.K.

* Press the * asterisk button on the numeric keypad when you want to enter a + mark in this setting. Also, press the # button on the numeric keypad when you want to enter a space.

Line Type

Specifies the type of your telephone line.

PSTN Number

If you select **FBX** in **Line Type**, specify the number that is input to access an outside line.

Personal Settings

Specifies your name and fax number. A maximum of 20 characters can be entered.

Speaker Volume

Specifies the volume of sound when using a telephone line.

Area Settings

Specifies the region in which the fax function is used.

Transmission Settings

Item	Settings (default in bold)
Direct Dialing Limits	Off , Enter Twice
Print Sender Info	On , Off
PC to Fax Function	Enable , Disable

Direct Dialing Limits

Set the number of times to enter a fax number. Select **Enter Twice** to avoid mis-sending.

Print Sender Info

Prints information about the sender at the top of printouts.

PC to Fax Function

Enables you to use the PC-FAX function.

Reception Settings

Item	Settings (default in bold)
Paper Source	Auto , MP Tray, Cassette1, Cassette2* ¹
Duplex	On, Off
Receive Mode	Auto , Manual
Ext. Phone Count	0 to 15* ²
Fit to Page	On , Off
Fax Output	Print , Folder, E-Mail, Forward
Fax to Folder Settings	Folder Connection Protocol : SMB , FTP Folder Path: up to 229 characters Folder User Name: up to 30 characters Folder Password: up to 20 characters FTP Server Connection Mode: Passive , Active FTP Server Connection Port Number: 1 ... 21 ... 65535 Connection Test
E-mail Settings	E-mail Address: up to 255 characters Max File Size: 200KB, 500KB, 1MB , 2MB, 4MB, 8MB Subject: up to 64 characters Connection Test
Forward Number	Up to 20 digits
Memory Reception	Memory Reception: Off , Specify Time, Always On (Time): xx:xx Off (Time): xx:xx

*¹ Available only when the optional paper cassette unit is installed.

*² The default setting varies depending on the country where you use the printer.

Paper Source

Specifies a paper source to be used. If the output paper size does not match the received data size and `Auto` is selected for this setting, the data is printed on a different size of paper.

Duplex

Enables you to do duplex printing when you receive a fax.

Receive Mode

When `Auto` is selected, the external telephone rings for a specified time before the printer answers to receive a fax.

When `Manual` is selected, the external telephone keeps ringing and the printer does not receive the fax.

Ext. Phone Count

Specifies the how many times the external telephone connected to the printer rings when `Auto` is selected in `Receive Mode`. After the specified ring count, the printer starts receiving the fax.

Fit to Page

When `On` is selected, faxes that do not match the size of the paper for printing faxes are reduced to fit the paper that is available. If `Off` is selected, any part that does not fit within the page may be erased.

Fax Output

Specifies where to save the received data.

Fax to Folder Settings

Specifies a folder connection protocol, shared folder path, user name, password, FTP server connection mode, and port number for the destination. Also tests the connection. Up to five folder paths can be specified.

E-mail Settings

Specifies the e-mail address, the maximum size of e-mail attachments, and the e-mail subject. Also tests the connection.

Forward Number

Specifies the fax number of fax machine to forward to.

Memory Reception

When `Specify Time` or `Always` is selected, received data is stored in the printer's memory without being printed. When `Specify Time` is selected, you can set when memory reception starts and stops.

Communication Settings

Item	Settings (default in bold)
Fax Log	Fax Log+Output, Fax Log Only, Off
Fax Send Report	On , Error Only, Off

Fax Log

Specifies settings for the communication report. When `Fax Log+Output` or `Fax Log Only` is selected, a report is automatically printed every 50 communications, including both sending and receiving.

Fax Send Report

Specifies settings for the sent fax report. When `On` is selected, a report is printed every time a fax is sent. When `Error Only` is selected, the printer prints a report only if a fax fails to transmit. The report is not printed when faxing to multiple addresses.

Detail Settings

Basically do not change the following settings.

Item	Settings (default in bold)
ECM	On , Off
Fax Speed	Fast(33,600bps), Medium(14,400bps) , Slow(9,600bps)

ECM

Automatically correct an error by checking sending and receiving status from sender and receiver sides when line troubles occur.

Fax Speed

Set the communication start speed for faxes.

Standard Fax Settings

Changes fax activity settings to their standard settings.

Item	Settings
Standard Fax Settings	-

Address Settings**E-mail Address**

Specifies a name and e-mail address for the destination. (Up to 50 destinations)

Item	Settings
E-mail Address	up to 255 characters
Name	up to 20 characters
Index	up to 20 characters

Folder Address

Specifies a shared folder path, name, authentication user name, and password for the destination. (Up to 20 destinations)

Item	Settings (default in bold)
Folder Path	up to 229 characters
Name	up to 20 characters
Index	up to 20 characters
Folder Connection Protocol	SMB , FTP
Authentication User Name	up to 30 characters
Authentication Password	up to 20 characters
FTP Server Connection Mode*	Passive , Active
FTP Server Connection Port Number*	1 ... 21 ... 65535

* Available only when Folder Connection Protocol is set to FTP .

Fax No.

Lets you register, edit, or delete speed-dial and quick-dial numbers. (Up to 500 numbers)

Note:

- This is available for DNF model only.
- Group-dial allows you to send documents to several people at the same time. You can create a group-dial list using EpsonNet Config.

Item	Settings
Speed Dial Settings	Number: up to 50 characters Name: up to 20 characters Index: up to 20 characters
Quick Dial Settings	-
Clear All Address	-

Admin Settings

You may be prompted to enter a password to open this menu. However, the default setting requires no password, so you can enter the menu by pressing the **OK** button.

Item		Settings (default in bold)
Password Config Menu		Change Password: up to 20 characters Limit Range: Disable , Interface, Config, All
Default Mode		Copy , Scan, Print, Fax*
Default Settings	Init All SelectType	-
	Init Copy Settings	-
	Init Fax Settings	-
	Init Scan Settings	-

* Available for DNF model only.

Password Config Menu

Specifies an administrator password. When `Interface` is selected in `Limit Range`, you need to enter the password to change interface settings. When `Config` is selected in `Limit Range`, you need to enter the password to change the items you configured.

Default Mode

Specifies the mode to enter when the printer is turned on.

If no button is pressed for more than the set time (default is one minute) which is set for `Operation Time Out`, the mode returns to the mode set for this setting.

Default Settings

`Init All SelectType` changes the administrator settings to their factory settings.

`Init Copy Settings` changes copy settings to their factory settings.

`Init Fax Settings` changes fax settings to their factory settings.

`Init Scan Settings` changes scan settings to their factory settings.

Support Mode Settings

Enter the `SUPPORT MODE` by pressing the **▼ Down** button while turning the printer on, to make `Support Menu` and `Printer Adjust Menu` appear.



Important:

Remove interface cables before you enter the `SUPPORT MODE`.

Support Menu

SupportStatusSheet

Prints a sheet showing information about settings of Support Menu and Printer Adjust Menu.

Extend Print Area

Makes the maximum print area larger according to the printed data.

Printer MIBv1 Mode

Uses MIBv1 as a policy rule definition reporting the printer information to SNMP manager.

Printer Adjust Menu

Note:

- This menu is a special function. You don't have to change it for ordinary use.*
- The settings in this menu may affect the remaining service lives of consumable products or maintenance parts.*

Item	Settings (default in bold)
Plain	0, 1
Preprinted	0, 1
Letterhead	0, 1
Recycled	0, 1
Color	0, 1
Special	0, 1, 2

Feed Offset	-3.5 ... 0.0 ... 3.5 mm in 0.5 mm increments
Scan Offset	
Feed Offset2	
Scan Offset2	
FeedOffsetMP	
ScanOffsetMP	
FeedOffsetC1	
ScanOffsetC1	
FeedOffsetC2	
ScanOffsetC2	
TR Plain1	1 ... 6 ... 16
TR Plain2	
TR SemiThk	
TR Labels	
TR Thick	
TR ExtraThck	
TR Thick3	
TR Envelope	
Temp Plain1	-9 ... 0 ... 9
Temp Plain2	
Temp SemiThk	
Temp Labels1	
Temp Thick	
Temp ExtraThck	
Temp Thick3	
Temp Envelope	
Highland	0, 2, 4, 6

BTR Cleaning	-
Dev Refresh	-
Toner Refresh	-
Noise Level	0 ... 3 ... 7
Mono DiagnosisSht	-

Plain, Preprinted, Letterhead, Recycled, Color, Special

Adjusts the print quality according to the paper type. Select **0** when a thin paper is printed.

To print using Thick3 paper (stiff, smooth on the surface, and more than 279 mm vertically), select **2** for **Special** in this menu, and **Special** from **Paper Type** on the printer driver. However, duplex printing is not available with this settings, and feeding paper takes more time.

Feed Offset

Adjusts the vertical position in which to start printing. The position moves lower on the sheet as the value increases. This setting is used when doing single-sided printing or printing the first page for duplex printing.

Scan Offset

Adjusts the horizontal position in which to start printing. The position moves to the right of the sheet as the value increases. This setting is used when doing single-sided printing or printing the first page for duplex printing.

Feed Offset2

Adjusts the vertical position in which to star printing. The position moves lower on the sheet as the value increases. This setting is used when printing the printing on the backside of paper for duplex printing.

Scan Offset2

Adjusts the horizontal position in which to start printing. The position moves to the right of the sheet as the value increases. This setting is used when printing on the backside of paper for duplex printing.

FeedOffsetMP, FeedOffsetC1, FeedOffsetC2

Adjusts the vertical position in which to start printing. The position moves lower on the sheet as the value increases. This setting is used when feeding the printed paper from the MP tray, C1, or C2.

ScanOffsetMP, ScanOffsetC1, ScanOffsetC2

Adjusts the vertical position in which to start printing. The position moves to the right of the sheet as the value increases. This setting is used when feeding the printed paper from the MP tray, C1, or C2.

TR Plain1, TR Plain2, TR SemiThk, TR Labels, TR Thick, TR ExtraThck, TR Thick3, TR Envelope

Adjusts the density or image granularity for the Plain1, Plain2, Semi-Thick, Label, Thick, ExtraThick, Thick3, Envelope. The setting becomes darker as the value increases.

TEMP Plain1, TEMP Plain2, TEMP SemiThk, TEMP Labels1, TEMP Thick, TEMP ExtraThck, TEMP Thick3, TEMP Envelope

Adjusts the fixing temperature for the Plain1, Plain2, Semi-Thick, Labels1, Thick, ExtraThick, Thick3, Envelope. The setting becomes hotter as the value increases. Note that the curl of printouts could increase as the value increases.

Highland

Adjust this setting if black dots appear on the printed page when using the printer in locations at high altitudes. See the table below and select a suitable value according to the location the printer is being used.

Value	Altitude
0	0 m
2	1000 m
4	2000 m
6	3000 m

BTR Cleaning

Cleans the transfer roller. This may eliminate stains that appear on the backside of printed paper documents. Do not turn off the printer until the LCD panel displays **Ready**.

Dev Refresh

Mixes the developer to spread it evenly. This may prevent seepage when printing low-density images. Do not turn off the printer until the LCD panel displays `Ready`.

Toner Refresh

Removes deteriorated toner. If the following problems have occurred while printing low density documents, this may improve the printouts.

- toner falls inside the printer or onto the paper
- blurring (toner adheres to entire surface of the paper)

Do not turn off the printer until the LCD panel displays `Ready`.


Noise Level

Adjusts the image gradation. As the value increases, the image gradation gets better, but the image granularity gets worse.

Mono DiagnosisSht

Prints an all black sheet of paper called a mono-chrome diagnosis. The mono diagnosis sheet allows you to check for blurring or dirt on the printout.

Status and Error Messages

This section contains a list of error messages shown in the LCD panel. They give a brief description of each message and suggestions for correcting the problem. Note that not every message shown in the LCD panel indicates a problem. When the  mark is displayed at the left of the warning message, multiple warnings have occurred.

Note:

Fax related error messages appear only on the DNF model.

ADF Document Jam

A paper jam occurred at the Auto Document Feeder. This error also occurs when the printer is turned off during a scan job.

ADF Maintenance Unit Needed Soon

This message indicates that the ADF maintenance unit is near the end of its service life. You can continue to print until the `Replace ADF Maintenance Unit` message appears.

Attached File Size Exceeds Limit

Increase the attached file size limit or make the file smaller. If you select **Continue**, the printer keeps scanning the image up to the specified size.

Because "ID Card Copy" is set, "Layout" has been canceled

Both **Layout** and **ID Card Copy** cannot be set together. If **ID Card Copy** is set to **On**, **Layout** is set to **Off**.

Because "Layout" is set, "ID Card Copy" has been canceled

Both **ID Card Copy** and **Layout** cannot be set together. If **Layout** is set to **On**, **ID Card Copy** is set to **Off**.

Canceling All Job

The printer is canceling all print jobs in the printer memory, including jobs the printer is currently receiving or printing. This message appears when the **Stop** button has been pressed down for more than three seconds.

Canceling Job

The printer is canceling the current print job. This message appears when the **Stop** button has been pressed and released within three seconds, or **Cancel** is selected in the **Print Job List** menu.

Can't Print

The print data is deleted because it is incorrect.

Make sure that the appropriate printer driver is being used.

Can't Print Duplex

The printer has encountered problems during duplex printing. Make sure you are using an appropriate type and size of paper for the duplex printing. The problem could also be a result of incorrect settings for the paper source you are using. Pressing the **Start** button will print the rest of the print job on only one side of the paper. Press the **Stop** button to cancel the print job.

Can't Print Files

There is no printable data in the USB memory.

Cannot Connect to Computer

No connectable computers are found. WSD scan device driver for this printer might not be installed in the computer, or the computer's power might be turned off.

Cannot fax because of report

An error occurs if you perform fax transmission when a power off report cannot be printed after turning on the printer.

Cannot make settings because fax job is being received

The printer might be receiving fax jobs from a computer. Wait until the fax jobs are finished and then try again.

Cannot print report

This message appears when you specify printing a report or list that does not exist in the `System Report Printing` menu in the `System Information` menu.

Cannot recognize USB flash memory

The printer cannot recognize the USB memory connected to the printer. Check the connection to the USB memory or replace it with a new one.

Cassette Error 001/ Cassette2 Error 002

The wrong cassette unit is installed. Turn off the printer, remove the cassette unit, and then turn on the printer.

Check Paper Size

The paper size setting is different from the size of paper loaded in the printer. Check to see if the correct size of paper is loaded in the specified paper source.

To clear this error, select `Clear Warning from Reset Menu` in the `Common Settings` menu. See "Accessing the each menu" on page 126 for instructions.

Check Media Type

The media loaded in the printer does not match the paper type setting in the printer driver. Media that matches only the paper size setting will be used for printing.

To clear this error, select `Clear Warning` from `Reset Menu` in the `Common Settings` menu. See “Accessing the each menu” on page 126 for instructions.

Clear Paper Jam XXXX

The location where the paper jam occurred is displayed at `XXXX.XXXX`. `XXXX` indicates the location of the error.

If a paper jam occurs at two or more locations simultaneously, the corresponding multiple locations are displayed.

For details about clearing paper jams, see “Clearing Jammed Paper” on page 205.

Close ADF Cover

The ADF cover is not closed securely. Open the cover once, and then close it.

Close Cover wwww

The specified cover (`wwww`) does not close securely. Open the cover once, then close it.

Also, this warning message may appear when the photoconductor is not installed on the printer.

Collate Disabled

Printing by specifying the number of copies is no longer possible due to a lack of memory (RAM). If this error occurs, print only one copy at a time.

To clear this error, select `Clear Warning` from `Reset Menu` in the `Common Settings` menu. See “Accessing the each menu” on page 126 for instructions.

Correct time using Time Setting

The current time setting is reset because you did not connect the power cord for a long time. To clear this warning message, select `Time Setting` from `Setup Menu` and specify the current date and time.

Communication Error

Scanning is canceled when the computer is turned off after you select a computer in which to save data for WSD scan, or the connection was stopped because the LAN cable was unplugged.

Connecting to E-mail Server

The connection test is carried out. The printer is testing a communication to the e-mail server.

Document Error

The paper which is set is not correct. Please check the paper and set it again. For details on how to set your original, see “Setting Your Originals” on page 50.

Duplex Memory Overflow

There is not enough memory for duplex printing. The printer prints only on the front and ejects the paper. To clear this error, follow the instructions below.

If **Off** is selected as the **Auto Cont** setting on the control panel's **Setup Menu**, press the **Start** button to print on the back of the next sheet, or cancel the print job. To cancel the print job, see “Canceling a Print Job” on page 72

If **On** is selected, printing continues automatically after a certain period of time.

E-mail Transmission Error

E-mail transmission failed. Check the **E-mail Server Settings** and perform the **Connection Test**. See “E-mail Server Settings” on page 137. For assistance, ask the administrator of the mail server.

Fax Board Memory Full

Wait until the fax jobs stored in the memory are finished, and then try transmission/reception again.

Faxing cannot begin

Unable to perform fax transmissions or receptions due to insufficient memory in the printer. Wait until the fax jobs stored in the memory are finished, and then try transmission/reception again.

Fax Communication Error

A fax communication error occurred during transmission due to some cause.

Fax Error/ Fax Error Unable to Fax

An error occurred in the fax unit. Turn off the printer, wait several minutes and then turn it on again. If the error occurs again, contact your dealer or a qualified customer support person for assistance.

Fax Image Data Error xx

Fax was not received normally. If the error occurs again, contact your dealer or a qualified customer support person for assistance.

Fax report cannot begin to print

The printer might be receiving a fax. Try again after the fax receiving is completed.

Faxing cannot begin

Send the fax again after fax reception or the PC to FAX operation is completed.

Feed Roller C1 Needed Soon/ Feed Roller C2 Needed Soon

This message indicates that the feed roller C1 or C2 is near the end of its service life. You can continue to print until the `ReplacE Feed Roller C1` or `ReplacE Feed Roller C2` message appears.

To clear this warning message and continue printing, select `Clear All Warnings` from `Reset Menu` in the `Common Settings` menu. For instruction about accessing the control panel menus, see “Accessing the each menu” on page 126.

File Name Already Exists

You cannot save the file because the same file name already exists in the USB memory or shared folder. Rename or delete the file in the USB memory or shared folder.

File Size Exceeds Limit

Transmission failed because the size of the data being sent exceeded the limit specified on the printer. Change the `Max File Size` setting in `E-mail Settings` or make the file smaller.

Filling toner xx min

The printer is filling toner. Wait until this message disappears. Do not turn off the printer while filling.

Folder Memory Full

There is insufficient memory in the specified folder on the network to carry out the current task. Press the **Stop** button to cancel the job.

Folder Write Error

Saving data to the specified shared folder on the network failed.

Fuser Needed Soon

This message indicates that the fuser unit is near the end of its service life. You can continue to print until the `Replace Fuser` message appears.

To clear this warning message and continue printing, select `Clear All Warnings` from `Reset Menu` in the `Common Settings` menu. For instruction about accessing the control panel menus, see “Accessing the each menu” on page 126.

Hang Up Receiver

The fax operation is completed. Hang up the hand set of the external telephone connected to the printer.

"ID Card Copy" is set. Cancel "ID Card Copy".

When `ID Card Copy` is set to `On`, you cannot change the `Zoom` setting. Set `ID Card Copy` to `Off`.

Image Optimum

There is insufficient memory to print the page at the specified print quality. The printer automatically lowers the print quality so that it can continue printing. If the quality of the printout is not acceptable, try simplifying the page by limiting the number of graphics or reducing the number and size of fonts.

To clear this error, select `Clear Warning` from the `Reset Menu` in the `Common Settings` menu. See “Accessing the each menu” on page 126 for instructions.

Install Fuser

The fuser unit is not installed in the printer. Install the fuser unit. For details, see the documentation supplied with the fuser unit.



Caution:

If the printer has been in use, the fuser and the surrounding areas may be very hot. If you must touch one of these areas, turn off the printer and wait 40 minutes to allow the heat to subside before doing so.

Install Photoconductor

The photoconductor unit is not installed in the printer. Install the photoconductor unit. For details, see the documentation supplied with the photoconductor unit.

Install Toner Cartridge

The toner cartridge is not installed in the printer.

Install the indicated cartridges. See “Toner cartridge/Return toner cartridge” on page 276.

Invalid Data

The spool file on the driver is deleted while printing or the data is abnormal. Select **Close** to clear the error.

Invalid PS3

There are errors in the ROM module. Turn off the printer and contact your dealer.

"Layout" is set.

You started copying with the layout function. Set the **Layout** setting under the **AdvnSettings1** tab to **None**.

Load Document in ADF

No document in the Auto Document Feeder. Please put a document in the ADF. For details on how to set your original, see “Setting Your Originals” on page 50.

Manual Feed ssss

The manual feed mode is specified for the current print job. Make sure the paper size indicated by **ssss** is loaded, then press the **Start** button.

Memory Overflow

The printer has insufficient memory to execute the current task. Select **Close** to resume printing or cancel the print job. To cancel the print job, see “Canceling a Print Job” on page 72.

No trays available Cancel the job

All of the **MP Tray AutoSel**, **Cassette1 AutoSel**, and **Cassette2 AutoSel** settings in **Tray Menu** are set to **Off**, so the printer cannot feed paper. Press the **Status** button to cancel the print job. To cancel the print job, see “Canceling a Print Job” on page 72. To continue printing, specify the paper source on the printer driver, or set the above settings in **Tray Menu** to **On**.

Not Input Please Enter

Nothing is entered for the setting. Enter a value for the setting.

Paper for Printing Faxes Not Loaded

Replace the loaded paper with paper that the fax can be printed on. For details, see “Output paper size” on page 116.

Paper Out tttt sssss

There is no paper in the specified paper source (tttt). Load paper of the size (sssss) into the paper source.

Paper Set tttt pppp

The paper loaded in the specified paper source (tttt) does not match the required paper type (pppp). Replace the loaded paper with the correct paper type and press the **Start** button to resume printing, or cancel the print job. To cancel the print job, see “Canceling a Print Job” on page 72.

If you press the **Start** button without replacing the paper, the printer will print on the loaded paper even though it does not match the required paper type.

Paper Set tttt sssss

The paper loaded in the specified paper source (tttt) does not match the required paper size (sssss). Replace the loaded paper with the correct size paper and press the **Start** button to resume printing, or cancel the print job. To cancel the print job, see “Canceling a Print Job” on page 72.

If you press the **Start** button without replacing the paper, the printer will print on the loaded paper even though it does not match the required size.

Paper Set tttt ssss1 or ssss2

This message appears in the following situations:

- A4/LT Auto Switching in the Setup Menu is set to On
- when printing a job specified as A4 with the printer driver, there is no paper source that is set as A4 or as LT (alternate size for A4) in the Tray Menu
- when printing a job specified as letter size with the printer driver, there is no paper source that is set as LT or as A4 (alternate size for LT) in the Tray Menu

To clear this warning message, make sure that A4 or asLT is set to the specified paper source (tttt) in the Tray Menu, load A4 or Letter size paper (sssss1 or ssss2) in the specified paper source (tttt) and press the **Start** button, or cancel the print job. To cancel the print job see “Canceling a Print Job” on page 72.

Photoconductor Needed Soon

This message indicates that the photoconductor unit is near the end of its service life. You can continue to print until the `Replace Photoconductor` message appears. To clear this warning message and continue printing, select `Clear All Warnings` from `Reset Menu` in the `Common Settings` menu. For instruction about accessing the control panel menus, see “Accessing the each menu” on page 126.

Photoconductor Trouble

There is a problem with the photoconductor unit. Remove the photoconductor unit and reinsert it. If that fails to clear the error, replace the photoconductor unit with a new one. For details about replacement, see the instructions that come with the photoconductor unit.

Please choose the e-mail address.

An e-mail address is not specified. Press the **F1** button to select `E-mail`, press the **F1** button again to select `Address`, and then specify a destination.

Please choose the folder.

A destination folder is not specified. Press the **F1** button to select `Save to` and specify a destination.

Specify the address

The printer is ready to send a fax. Enter a recipient fax number using the numeric keypad or specify an address from the speed-dial list.

Print Overrun

The required time to process the print data exceeded the print engine speed because the current page is too complex. Select `Close` to resume printing or cancel the print job. To cancel the print job, see “Canceling a Print Job” on page 72. If this message appears again, select `On` as the `Page Protect` setting in the control panel's `Setup Menu`.

If you continue to receive this message when printing a particular page, try simplifying the page by limiting the number of graphics or reducing the number and size of fonts.

Printer Error Unable to Copy/ Printer Error Unable to Print

An error occurred on the printer. Turn off the printer, wait several minutes and then turn it on again.

RAM CHECK

The printer is checking the RAM.

Ready

The printer is ready to receive data and print.

Ready to Copy

The printer is ready to copy.

Reboot to apply settings

You selected **No** when **Do you want to reboot to apply the settings?** was displayed. To clear this error, select **Clear Warning from Reset Menu** in the **Common Settings** menu. See “Accessing the each menu” on page 126 for instructions.

Replace ADF Maintenance Unit

The ADF maintenance unit has reached the end of its service life and needs to be replaced. If this error occurs, consult your dealer.

Replace Feed Roller C1/ Replace Feed Roller C2

The feed roller C1, C2 has reached the end of its service life and needs to be replaced. If this error occurs, consult your dealer.

Replace Fuser

The fuser has reached the end of its service life and needs to be replaced. For details about replacement, see the instructions that come with the fuser unit.

**Caution:**

If the printer has been in use, the fuser and the surrounding areas may be very hot. If you must touch one of these areas, turn off the printer and wait 40 minutes to allow the heat to subside before doing so.

Replace Photoconductor

The photoconductor unit has reached the end of its service life and needs to be replaced. For details about replacement, see the instructions that come with the photoconductor unit.

Replace Toner Cartridge

The toner cartridge has reached the end of its service life and need to be replaced. For details about replacement, see the instructions that come with the toner cartridge.

Reserve Job Canceled

The printer cannot store the data of your print job using the Reserve Job function. The maximum number of print jobs stored on the printer's memory has been reached, or the memory has no more memory available to store a new job. To store a new print job, delete a previously stored job. Also, if you have any Confidential Jobs stored, printing those jobs will make more memory available.

You may also increase the available memory space by changing the RAM Disk setting to Normal or Maximum. For details, see "Setup Menu" on page 131.

To clear this error, select Clear Warning from Reset Menu in the Common Settings menu. See "Accessing the each menu" on page 126 for instructions.

Reset All

All Printer Settings have been reset to the default configuration, or to the last settings that were saved.

ROM CHECK

The printer is checking the ROM.

Scanner Error Cannot Be Executed

An error occurred in the scanner unit. Turn off the printer, and then turn it on again several minutes later. If the error occurs again, contact your dealer or a qualified customer support person for assistance.

Scanner Error Unable to Scan/ Scanner Error Unable to Copy

An error occurred in the scanner unit. Turn off the printer, wait several minutes and then turn it on again.

Searching Files

The printer is searching files in the USB memory.

Select A4, A5, LT or LGL Paper Size for ID Card copying

Use the paper source for which A4, A5, LT, or LGL has been set for the Paper size to do Layout or ID Card copying.

Select Other Paper Size

The loaded paper and the paper size specified on the control panel do not match. Check the loaded paper size and the setting on the control panel.

SELF TEST

The printer is currently performing a self test and initialization.

Service Req Cffff/ Service Req Eegg/ Service Req *ffff

A controller error or a print engine error has been detected. Turn off the printer. Wait at least 5 seconds, then turn it back on. If the error message still appears, write down the error number listed in the LCD panel (Cffff/Eegg/*ffff), turn off the printer, unplug the power cord, then contact a qualified service representative.

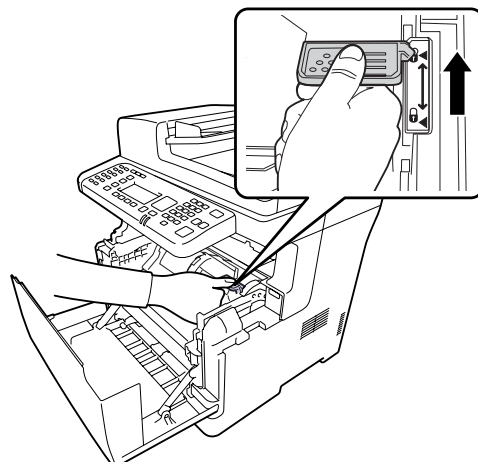
Shake and reinstall Photoconductor

The photoconductor unit may not be installed correctly. Remove the photoconductor unit, shake it, and then reinsert it. If the error status still remains, turn the printer off and then on again. If this error persists, consult your dealer.

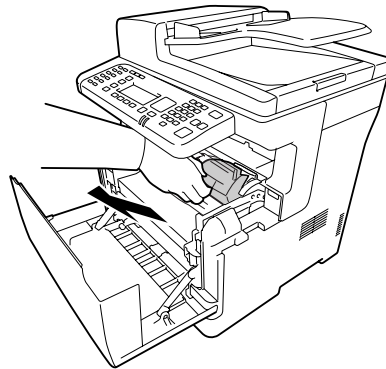
Shake and reinstall Toner Cartridge

The toner in the toner cartridge may be uneven. Follow the steps below to spread the toner evenly.

1. Open cover A.
2. Turn the lock lever to the release position.



3. Remove the toner cartridge.



4. Rock the toner cartridge back and forth a few times.
5. Reinsert the toner cartridge, and turn the lock lever to the lock position.
6. Close cover A.

If this error persists, consult a qualified service representative.

Sleep (while the **Power Saving** button is lighting)

The printer is currently in power-save mode. This mode is canceled when the printer receives job data.

Specified folder could not be opened

Saving data to the specified shared folder on the network failed because the specified folder could not be opened. Check if the folder path, user name, or password specified in `Folder Address` of the `Address Settings` is correct.

Specified save dest cannot be used

Saving data to the specified shared folder on the network failed. Unsupported characters are used to specify the destination.

Testing e-mail transmission

The connection test is carried out. The printer is testing to e-mail to the specified address.

The specified user name cannot be used

Saving data to the specified shared folder on the network failed. Unsupported characters are used to specify the user name.

There is no A4, A5, LT or LGL sized paper

You selected a paper source that does not have A4, A5, LT, or LGL size paper for layout copying. Check to see if the correct size of paper is loaded in the specified paper source.

Toner Cartridge Error

There is a problem with the toner cartridge. Remove the toner cartridge and reinsert it. If that fails to clear the error, replace the toner cartridge with a new one. For details about replacement, see the instructions that come with the toner cartridge.

Toner Low

This message indicates that the toner cartridge is near the end of its service life. Prepare a new toner cartridge.

Unable Clear Error

The printer cannot clear an error message because the error status still remains. Try solving the problem again.

Unable to scan because PC-FAX is saving files

The PC-FAX operation might be performed. Finish the PC-FAX operation, and then try to send the fax again.

Unable to Transmit Fax

Unable to perform fax transmissions. This message appears when you send a fax manually. When sending a fax using the memory transmission function, the message does not appear.

Unable to Transmit Fax

A fax communication error occurred during transmission. Wait for a few minutes and try again. Also make sure that the fax number is correct.

Unsupported USB Device xxx

Unsupported USB device is connected.

USB Memory Error

The USB memory may be corrupted or incorrect. Replace it with a new one.

USB Memory Full

There is no space available on the USB memory connected to the printer. Delete data from the USB memory to create free space, or use a different USB memory.

USB Memory Not Connected

A USB memory is not connected to the printer. Connect a USB memory to the USB Host interface.

USB Memory Write Error

Saving data to the USB memory failed.

USB Memory Write Protect

Unable to save the data to the USB memory. Check that the USB memory connected to the printer is not read-only.

Using Phone

The external telephone connected to the printer is being used.

Wait for a while and try again

You started printing from a USB memory while multiple jobs are stored in the printer. Wait for a few minutes, and then try again.

Warming Up

The printer is warming up so that printing, copying, faxing, or scanning can be done.

Write Error ROM P

The printer is unable to write data to the ROM module correctly. You cannot remove the ROM P because the ROM P is a program ROM module. Contact your dealer.

Writing and saving files to folder

The connection test is carried out. The printer is testing to write and save data to the specified shared folder on the network.

Writing ROM P

This message indicates that a ROM module in the slot is being written. Please wait until this message disappears.

Wrong Photoconductor

An inappropriate photoconductor unit is installed. Install only the photoconductor unit listed in “Maintenance Parts” on page 276.

Wrong Toner Cartridge

An inappropriate toner cartridge is installed. Install only the toner cartridge listed in “Consumable Products” on page 276.

Printing and Deleting Reserve Job Data

Print jobs stored on the printer's memory using the Re-Print Job, Verify Job, and Confidential Job options of the Reserve Job function can be printed and deleted using the control panel. Follow the instructions in this section.

Note:

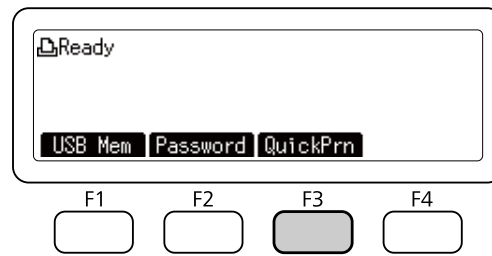
The RAM Disk setting on the control panel must be set to Normal or Maximum to use the Reserve Job function.

Printing and Deleting Re-Print Jobs or Verify Jobs

Follow the steps below to print or delete Re-Print Job and Verify Job data.

1. Press the **Print** button.

2. Press the **F3** button.



3. Press the ▲ or ▼ button several times to select the appropriate user name, and then press the **OK** button.
4. Press the ▲ or ▼ button several times to select the appropriate print job, and then press the **OK** button.

To delete the print job without printing any copies, press the **F3** button, and then press the **F3** button again.

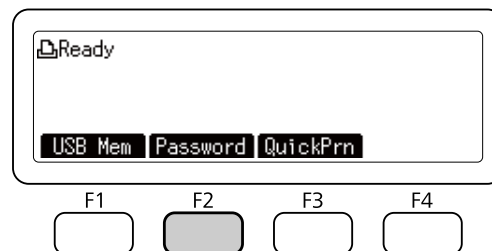
5. Specify the number of copies using the numeric keypad on the control panel.
6. Press the **Start** button.

The printer starts printing.

Printing and Deleting Confidential Jobs

Follow the steps below to print or delete Confidential Job data.

1. Press the **Print** button.
2. Press the **F2** button.



3. Press the ▲ or ▼ button several times to select the appropriate user name, and then press the **OK** button.
4. Enter your four-digit password using the numeric keypad on the control panel, and then press the **OK** button.
5. Press the ▲ or ▼ button several times to select the appropriate print job, and then press the **OK** button. You can select multiple files at the same time.

To delete the print job without printing any copies, press the **F4** button, and then press the **F3** button again.

6. Specify the number of copies using the numeric keypad on the control panel.
7. Press the **Start** button.

The printer starts printing.

Printing a Configuration Status Sheet

1. Press the **Setting** button.
2. Press the ▲ or ▼ buttons to select `System Information`, and then press the **OK** button.
3. Press the ▲ or ▼ buttons to select `System Report Printing`, and then press the **OK** button.
4. Press the ▲ or ▼ buttons to select `Print Configuration Status Sheet`, and then press the **OK** button.

Note:

- If the configuration status sheet does not list your installed options correctly, make sure that they are securely connected to the printer.*
- If you are unable to get the printer to print a correct configuration status sheet, contact your dealer.*
- Print the configuration status sheet on A4 size paper.*

Chapter 8

Installing Options

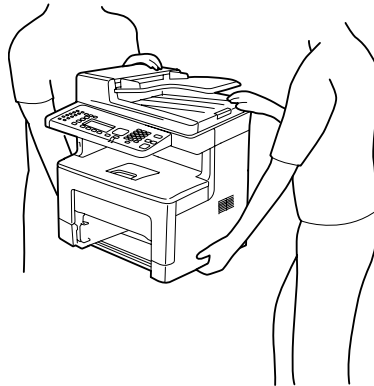
Optional Paper Cassette Unit

For details about the paper types and sizes that you can use with the optional paper cassette unit, see “Paper cassette” on page 40. For specifications, see “Optional paper cassette unit” on page 275.

Handling precautions

Always pay attention to the following handling precautions before installing the option:

The printer weights approximately 18.8 kg (41.4 lb) for the DN model or 19.0 kg (41.9 lb) for the DNF model with consumable products installed. One person should never attempt to lift or carry it alone. Two people should carry the printer, lifting it from the position shown below.

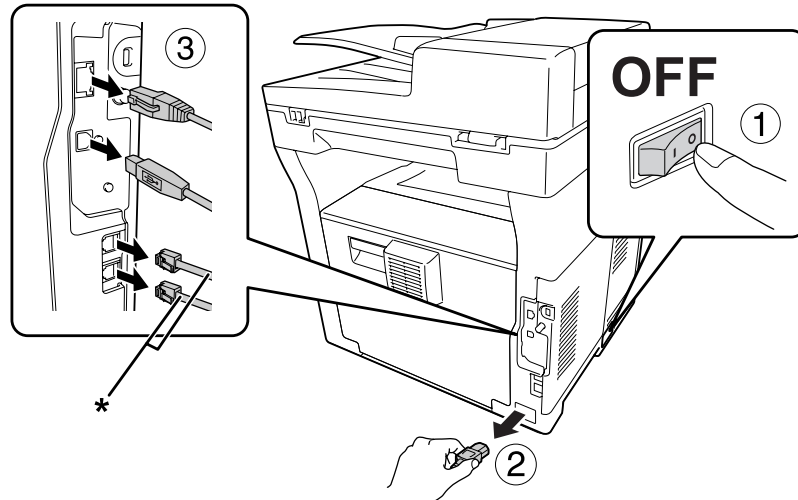


Caution:

To lift the printer safely, you must hold it in the positions shown above. If carried incorrectly, the printer may be dropped and damaged or cause an injury.

Installing the optional paper cassette unit

1. Turn the printer off and unplug the power cord and interface cable.



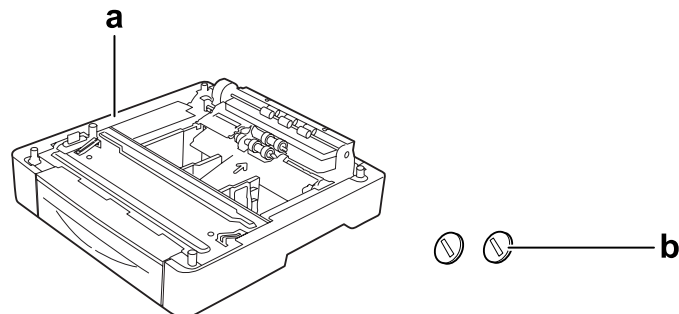
* DNF model only



Important:

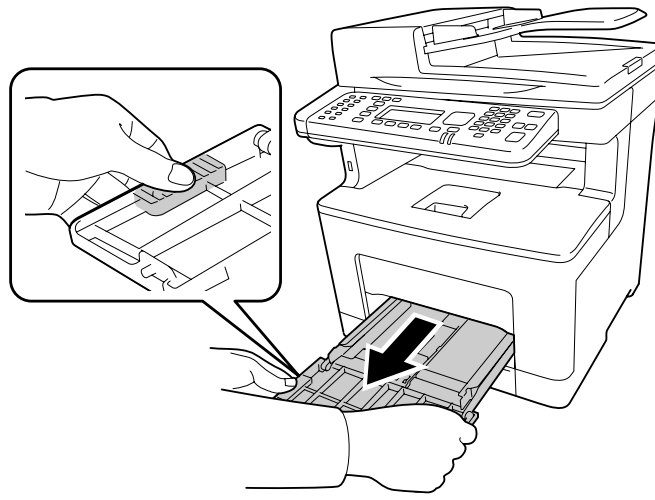
Make sure to unplug the power cord from the printer to prevent getting an electrical shock.

2. Carefully take the optional paper cassette unit out from its carton and place it where you intend to set up the printer.
3. Confirm the bundled items.

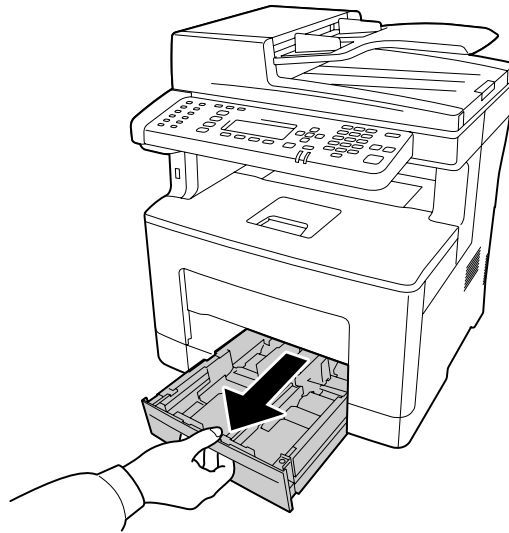


- a. optional paper cassette unit
b. screws

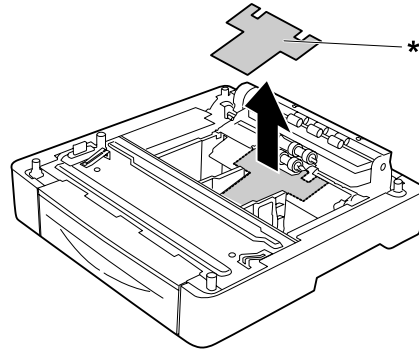
4. Pull out the MP tray.



5. Pull out the standard lower paper cassette.

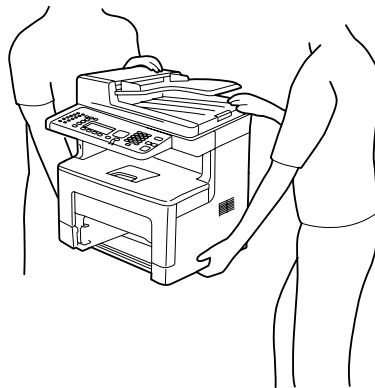


Note:
Remove the protective materials from the optional paper cassette before proceeding to step 6.

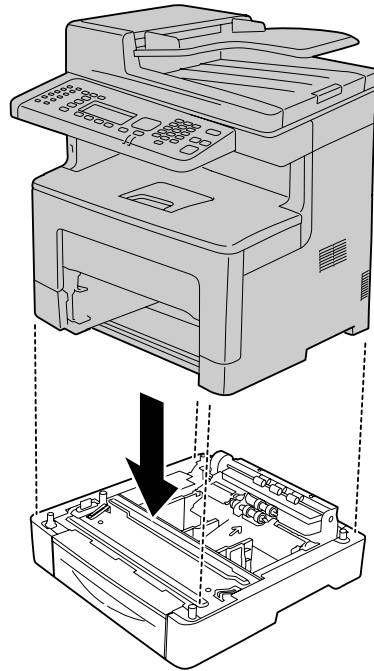


* protective material

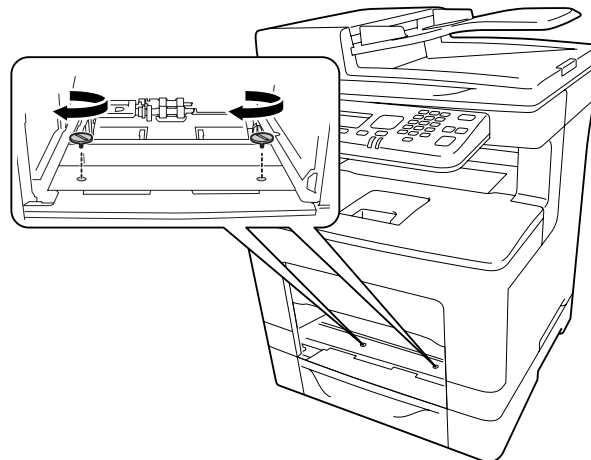
6. Lift the printer with two people.



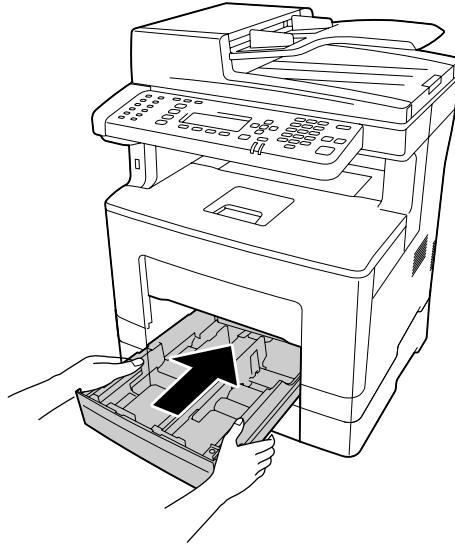
7. Place the printer onto the optional paper cassette unit. Align each of the printer's corners with those of the optional paper cassette unit. Then lower the printer until it rests securely on the optional paper cassette unit.



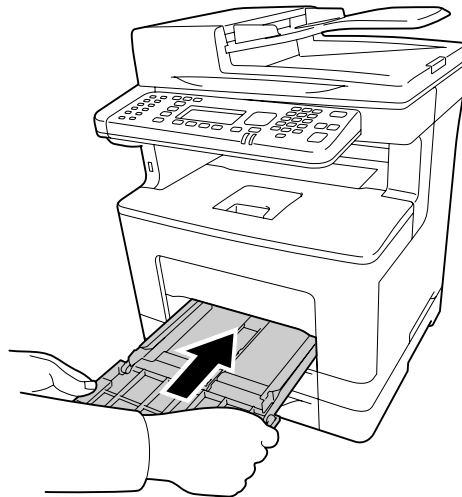
8. Secure the printer to the optional paper cassette unit with the two screws.



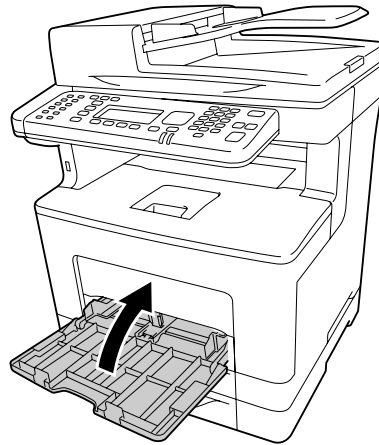
9. Insert the standard lower paper cassette.



10. Insert the MP tray into the printer.



11. Close the MP tray.



12. Reconnect the interface cable and power cord, and then turn the printer on.

To confirm that the option is installed correctly, print a configuration status sheet. See “Printing a configuration status sheet” on page 251.

Removing the optional paper cassette unit

Perform the installation procedure in reverse.

Chapter 9

Replacing Consumable Products/Maintenance Parts

Precautions During Replacement

Always observe the following handling precautions when replacing consumable products or maintenance parts.

For details about the replacements, see the instructions that come with the consumable products.



Caution:

- Be careful not to touch the fuser, which is marked with a caution label, or the surrounding areas. If the printer has been in use, the fuser and surrounding areas may be very hot.*
- Do not dispose of used consumable products or maintenance parts in fire, as they may explode and cause injury. Dispose of them according to local regulations.*
- Provide enough space for the replacement procedure. You will have to open some parts (such as the printer cover) of the printer when you are replacing consumables or maintenance parts.
- Do not install used consumable products or maintenance parts that reach end of service life into the printer.

For details about the handling precautions, see “Handling the consumable products and maintenance parts” on page 20.

Replacement Messages

If a consumable product or maintenance part reaches the end of its service life, the printer displays the following message on the LCD panel or the window of EPSON Status Monitor.

LCD Panel Message	Description
Replace Toner Cartridge	The toner cartridge has reached the end of its service life.
Replace Photoconductor	The photoconductor unit has reached the end of its service life.
Replace Fuser	The fuser has reached the end of its service life.

Note:

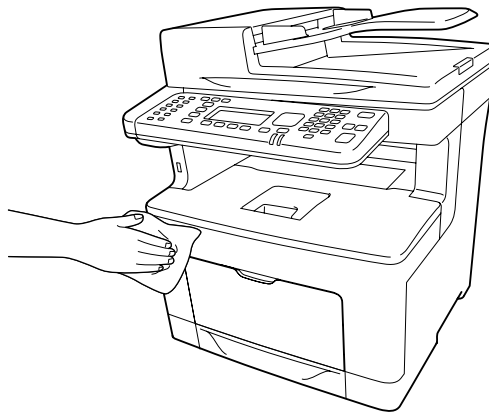
Messages appear for one consumable product or maintenance part at a time. After replacing a consumable product or maintenance part, check the LCD panel for replacement messages for other consumable products or maintenance parts.

Chapter 10

Cleaning and Transporting the Printer

Cleaning the Printer

The printer needs only minimal cleaning. If the printer's outer case is dirty or dusty, turn off the printer and clean it with a soft, clean cloth moistened with a mild detergent.

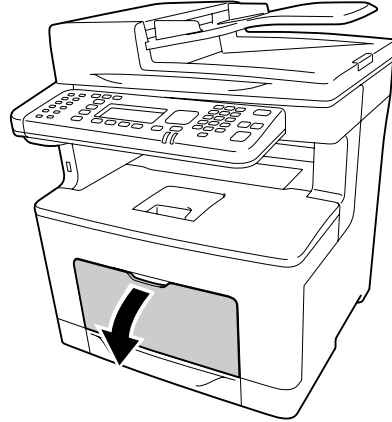


Important:

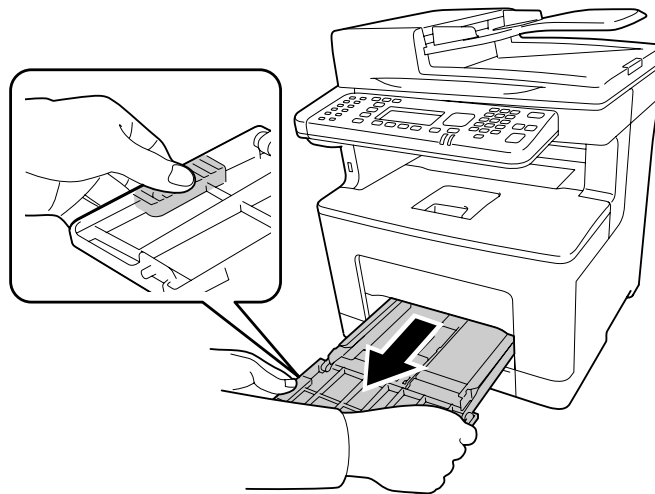
Never use alcohol or paint thinner to clean the printer cover. These chemicals can damage the components and the case. Be careful not to get water onto the printer mechanism or any electrical components.

Cleaning the pickup roller

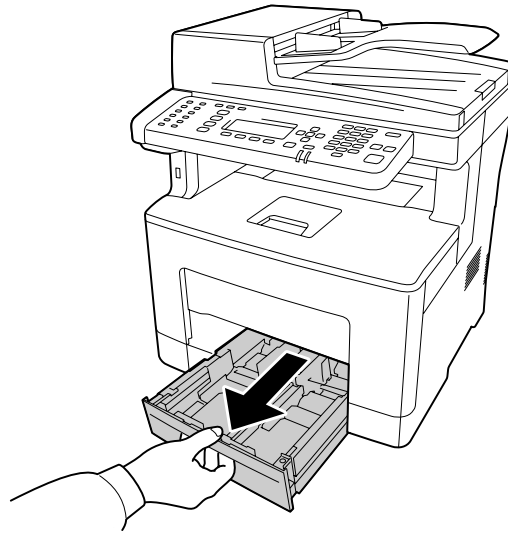
1. Open the MP tray.



2. Pull out the MP tray from the printer.



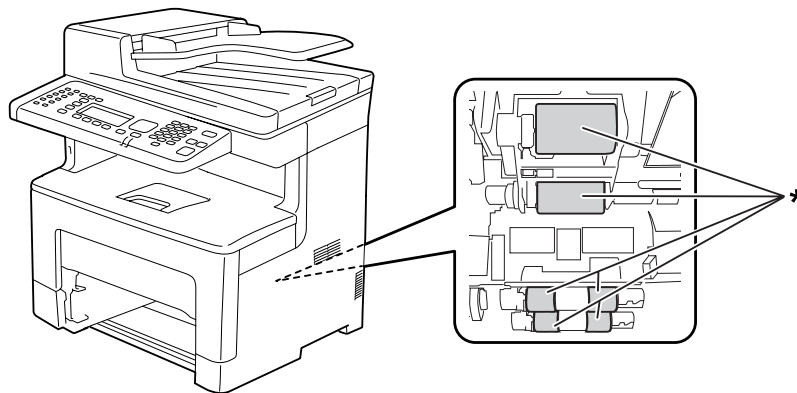
3. Pull out the standard lower paper cassette.



4. Gently wipe the pickup roller with a well-wrung wet cloth.

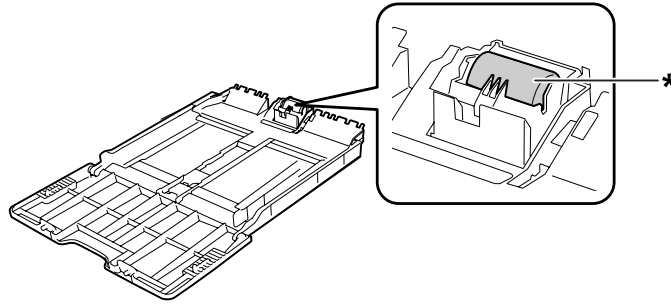
Inside the printer

Wipe the four pickup rollers.



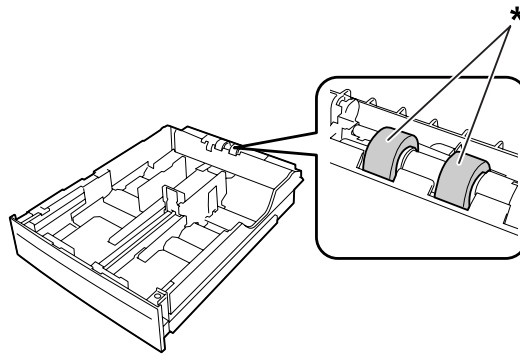
* pickup roller

MP Tray



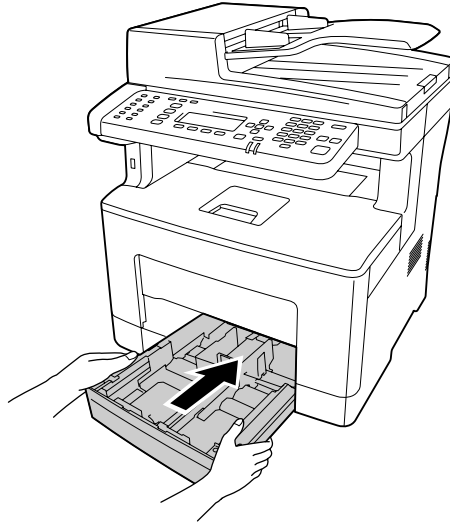
* pickup roller

Lower paper cassette

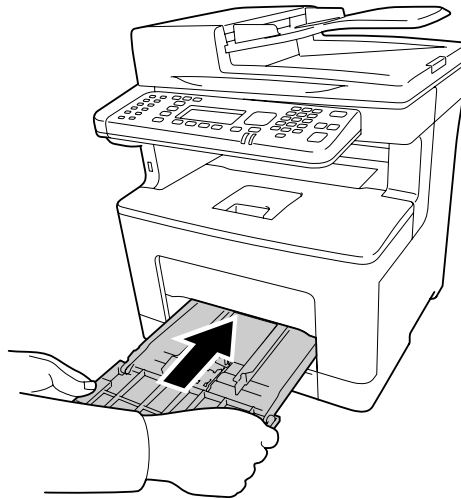


* pickup roller

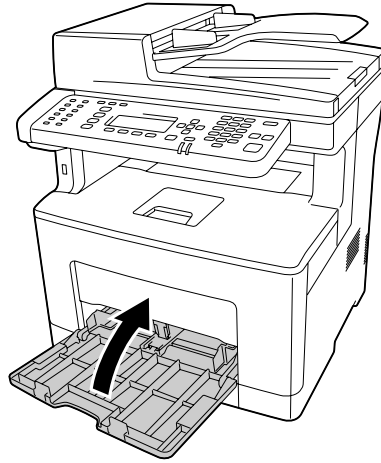
5. Insert the lower paper cassette unit.



6. Insert the MP tray into the printer.



7. Close the MP Tray.

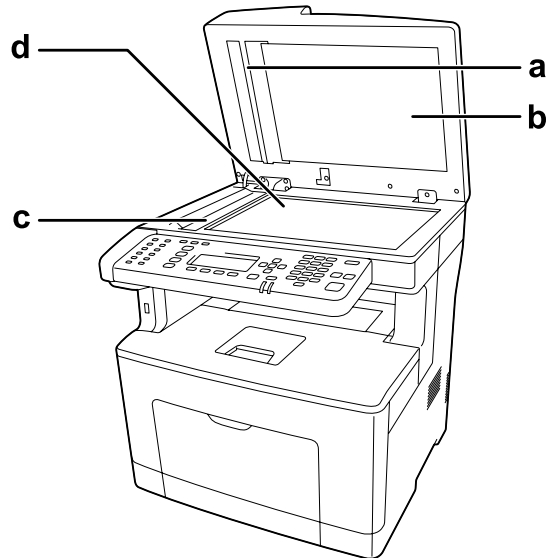


Cleaning the document table

When the scanning quality has decreased, open the document cover and wipe away the document table with a soft dry cloth.

Cleaning the document table and the exposure window for Auto Document Feeder

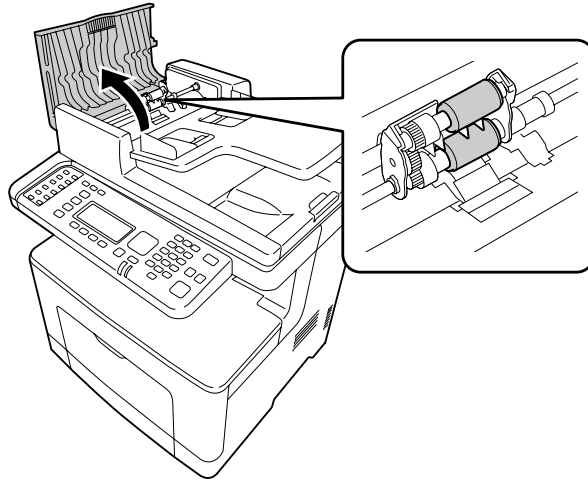
If a line of dots always appears in your scanned images, fax images, or copies, the document table or exposure window for Auto Document Feeder may be dusty or scratched. Clean those parts.



- a. white plate
- b. document cover
- c. exposure window for ADF
- d. document table

Cleaning the ADF pickup roller

When the Auto Document Feeder has failed to feed paper, open the ADF cover, and wipe away the roller with a wet, well-wrung cloth and remove paper dust.



Transporting the Printer

For long distances

Before you move the printer, prepare the location where you are going to place it. See the following sections.

- “Setting up the printer” on page 15
- “Finding the place for the printer” on page 17

Repacking the printer

If you need to transport your printer for long distances, carefully repack it using the original box and packing materials.

1. Turn off the printer and remove the following items:
 - Power cord
 - Interface cables

- Loaded paper
 - Installed options
2. Attach the protective materials onto the printer, then repack the printer in its original box.

**Important:**

When moving the printer, always keep it horizontal.

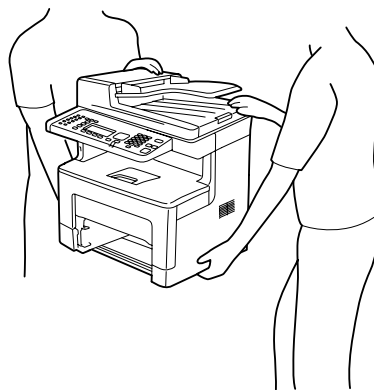
For short distances

Before you move the printer, prepare the location where you are going to place it. See the following sections.

- “Setting up the printer” on page 15
- “Finding the place for the printer” on page 17

If you are moving the printer on its own, two people should lift and carry the printer.

1. Turn off the printer and remove the following items:
 - Power cord
 - Interface cables
 - Loaded Paper
 - Installed options
2. Be sure to lift the printer by the correct positions as shown below.



**Important:**

When moving the printer, always keep it horizontal.

Chapter 11

Troubleshooting

Clearing Jammed Paper

If paper becomes jammed in the printer, the printer's LCD panel and EPSON Status Monitor provide alert messages.

Error Message	Refer to
Clear Paper Jam B	For instructions on clearing this type of paper jam, see "Paper Jam B (Cover B)" on page 206.
Clear Paper Jam MP C1 B	For instructions on clearing this type of paper jam, see "Paper Jam MP, C1, C2, B (MP tray, Cassette 1-2, Cover B)" on page 208.
Clear Paper Jam MP C1 C2 B	

Precautions for clearing jammed paper

Be sure to observe the following points when you clear jammed paper.

- Do not remove jammed paper by force. Torn paper can be difficult to remove and might cause other paper jams. Pull the paper gently and steadily to avoid tearing it, falling down, and injuring yourself.
- Always try to remove jammed paper with both hands to avoid tearing it.
- If jammed paper is torn and remains in the printer, or if paper is jammed in a place not mentioned in this section, contact your dealer.
- Make sure that the paper type that is loaded is the same as the Paper Type setting in the printer driver.

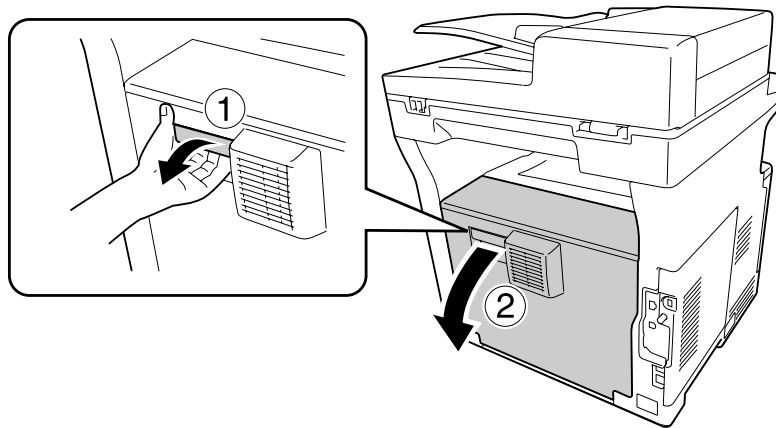
**Caution:**

- ❑ Unless specifically instructed in this guide, be careful not to touch the fuser, which is marked with a caution label, or the surrounding areas. If the printer has been in use, the fuser and the surrounding areas may be very hot. If you must touch one of these areas, wait 40 minutes to allow the heat to subside before doing so.

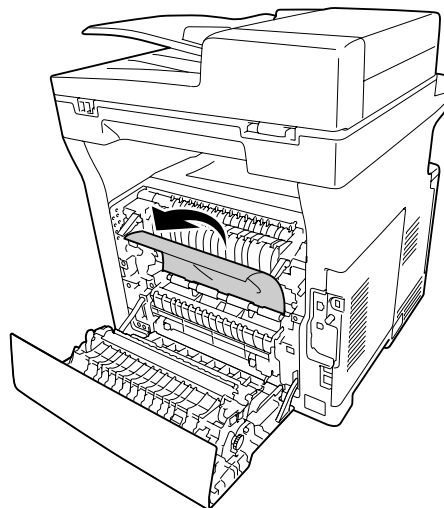
- ❑ Do not insert your hand deep into the fuser unit as some components are sharp and may cause injury.

Paper Jam B (Cover B)

1. Open cover B.



2. If there is any jammed paper, remove it gently with both hands. Be careful not to tear the jammed paper.



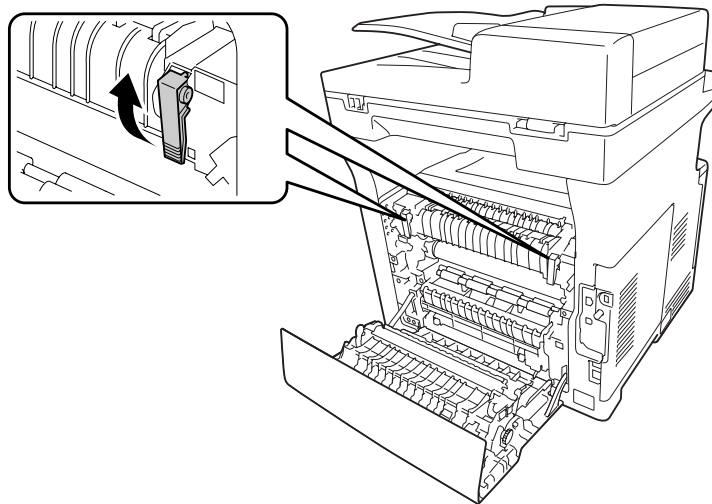
**Caution:**

Be careful not to touch the rollers in the fuser unit, they may be very hot.

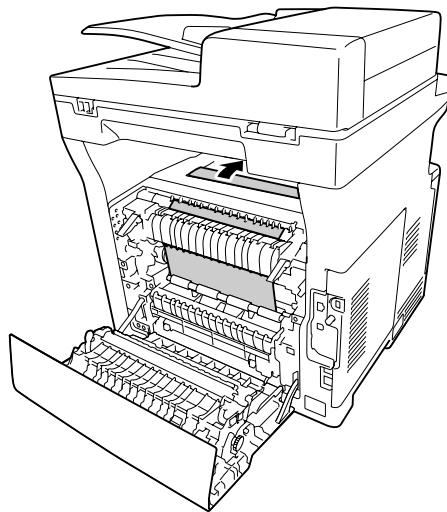
**Important:**

- Do not expose the photoconductor unit to sunlight at all and avoid exposing it to room light for more than three minutes.*
- Do not touch the transfer roller on the transfer unit to avoid damaging it.*

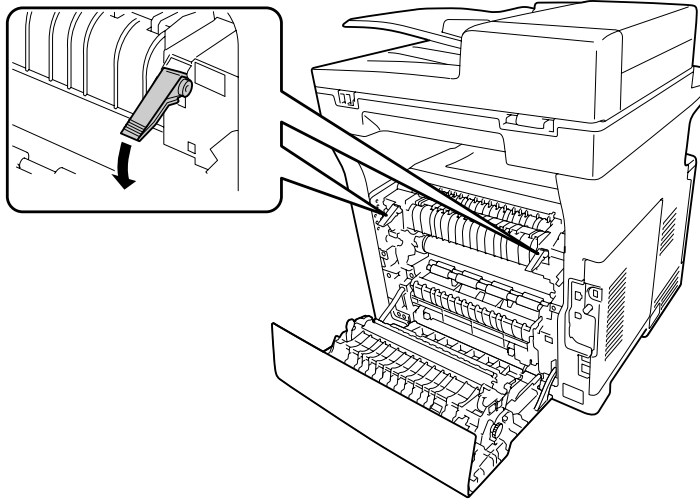
3. Unlock the release levers on the rear of the fuser unit.



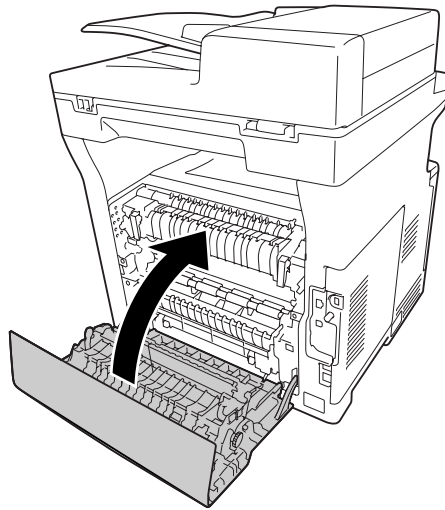
4. If there is any jammed paper, remove it gently with both hands. Be careful not to tear the jammed paper.



5. Lock the release levers.



6. Close cover B.

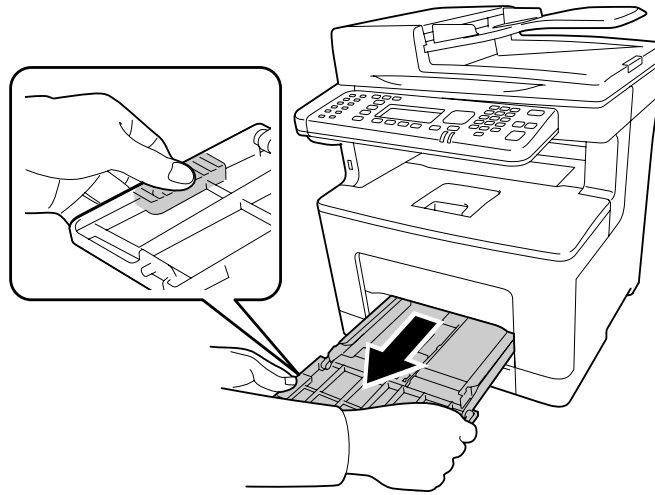


Paper Jam MP, C1, C2, B (MP tray, Cassette 1-2, Cover B)

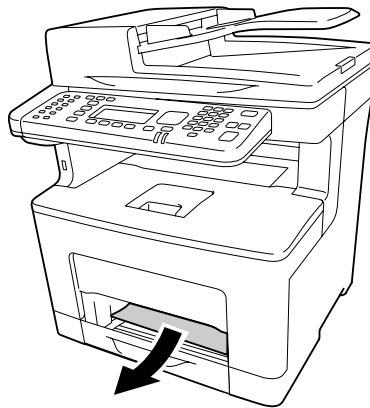
Note:

Be sure to open and close cover B in the last step of the following procedure even if there is no jammed paper inside cover B.

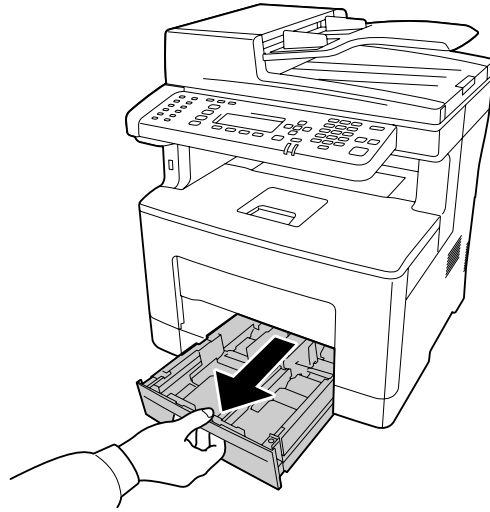
1. Open the MP tray and remove it.



2. If there is any jammed paper, remove it gently with both hands. Be careful not to tear the jammed paper.

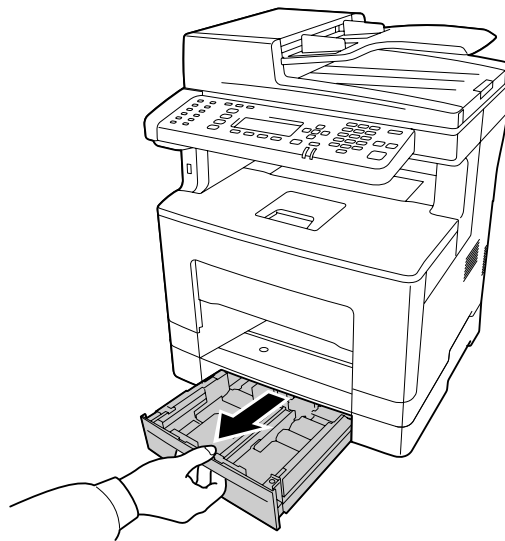


3. Pull out the standard lower paper cassette.

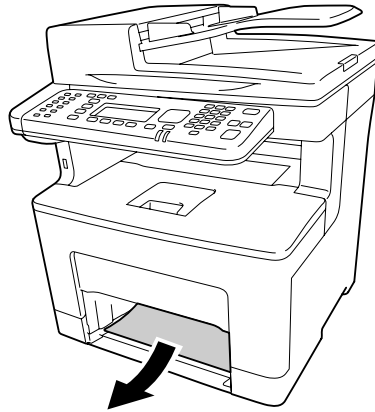


Note:

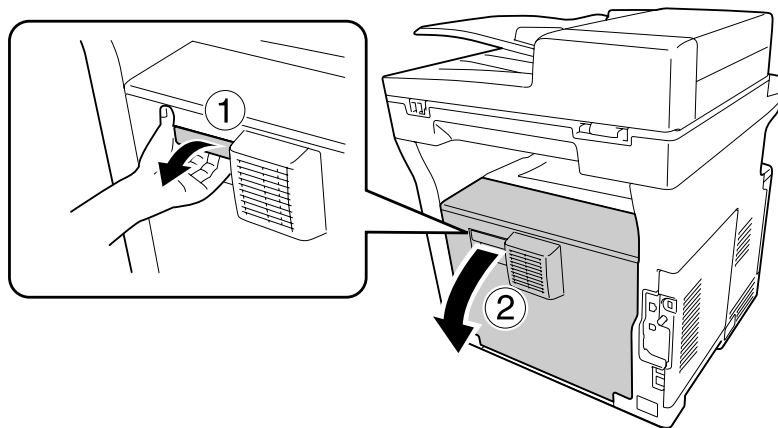
When C2 is displayed on the LCD panel, pull out the optional paper cassette as well.



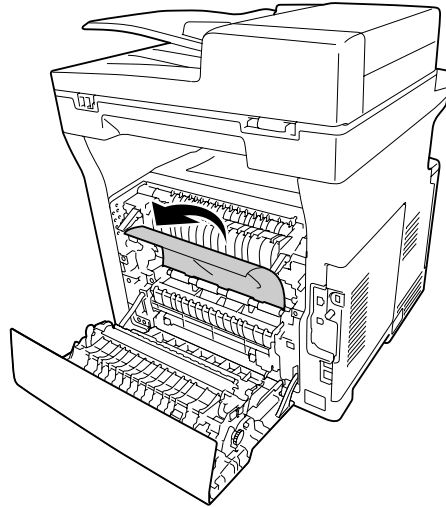
4. If there is any jammed paper, remove it gently with both hands. Be careful not to tear the jammed paper.



5. Open cover B.



6. If there is any jammed paper, remove it gently with both hands. Be careful not to tear the jammed paper.

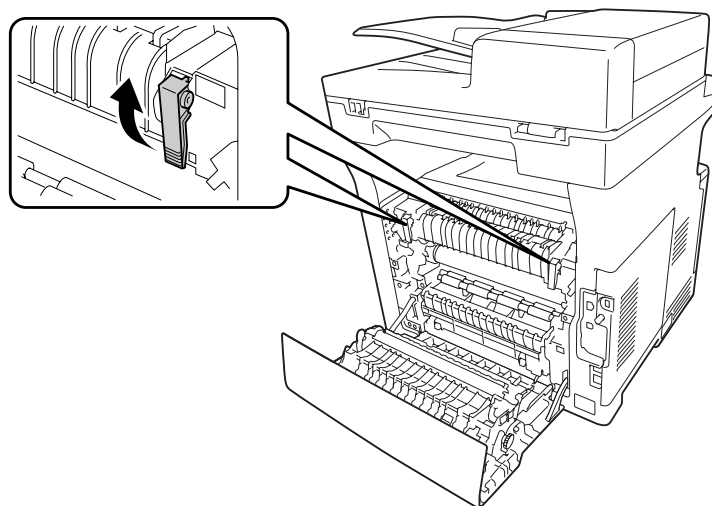
**Caution:**

Be careful not to touch the rollers in the fuser unit, they may be very hot.

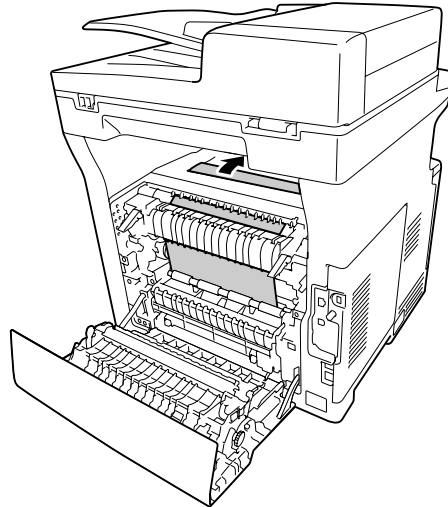
**Important:**

- Do not expose the photoconductor unit to sunlight at all and avoid exposing it to room light for more than three minutes.*
- Do not touch the transfer roller on the transfer unit to avoid damaging it.*

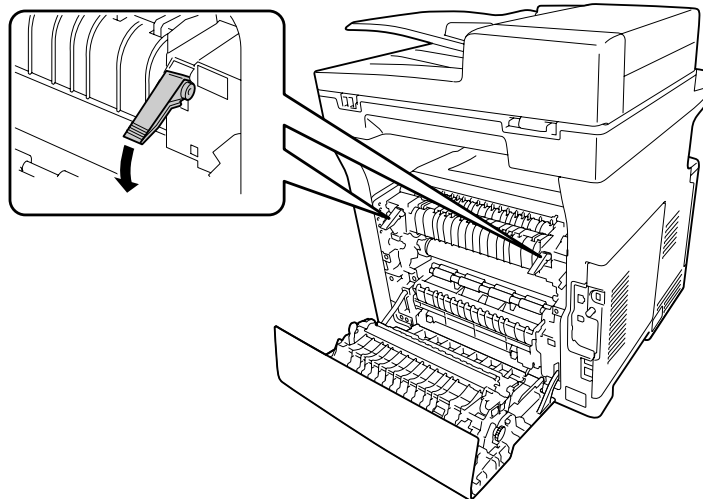
7. Unlock the release levers on the rear of the fuser unit.



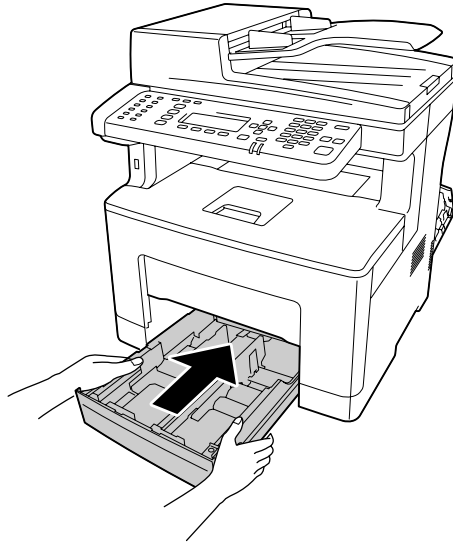
8. If there is any jammed paper, remove it gently with both hands. Be careful not to tear the jammed paper.



9. Lock the release levers.

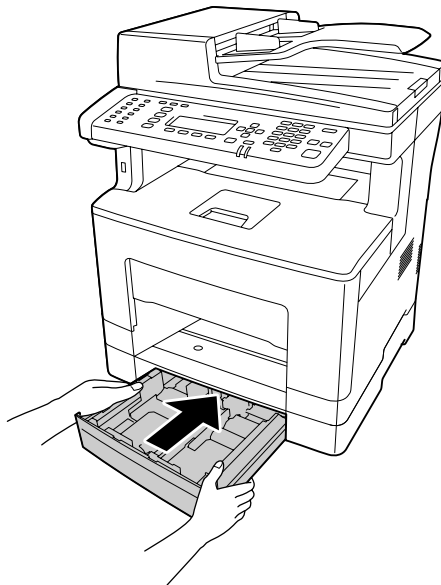


10. Insert the lower paper cassette.

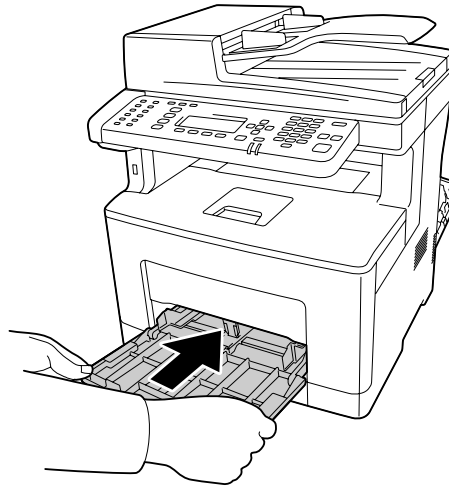


Note:

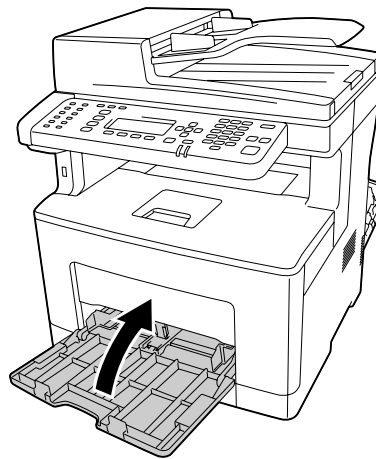
If using the optional paper cassette unit, make sure to insert it.



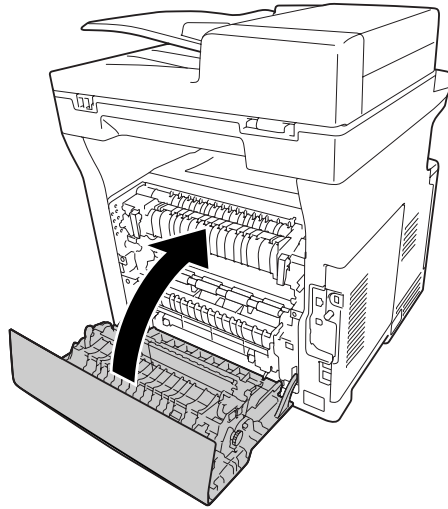
11. Insert the MP tray into the printer.



12. Close the MP Tray.

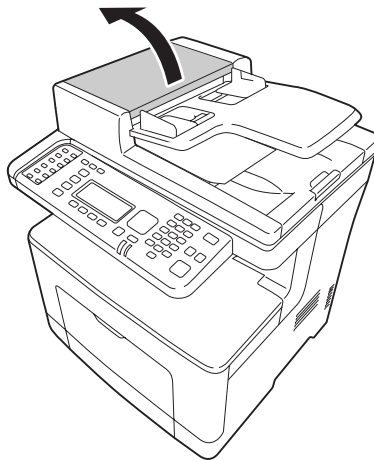


13. Close cover B.

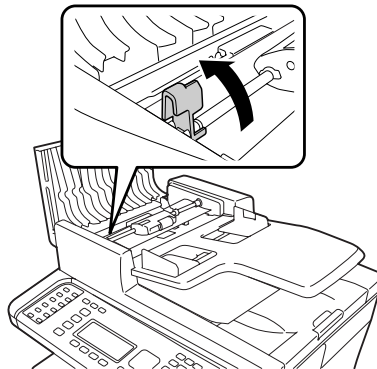


Paper Jam in the Auto Document Feeder

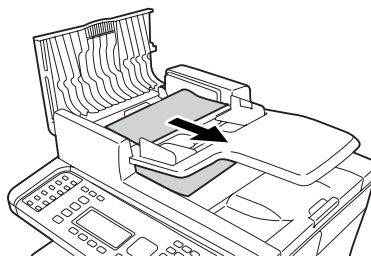
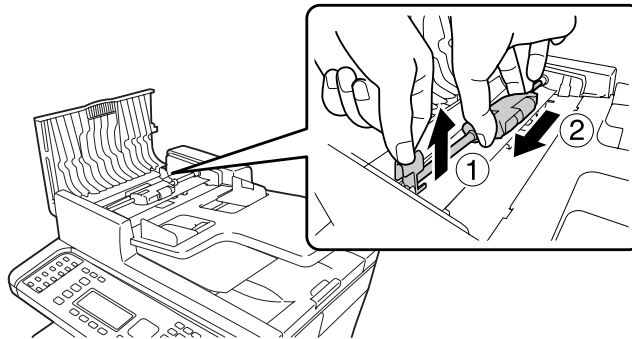
1. Open the ADF cover.



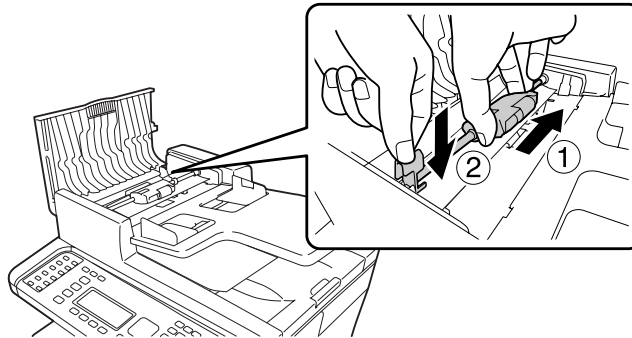
2. Turn the lever to the left to unlock the ADF pickup module.



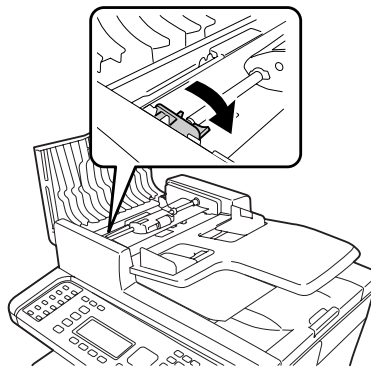
3. Remove the ADF pickup module, and then remove jammed paper.



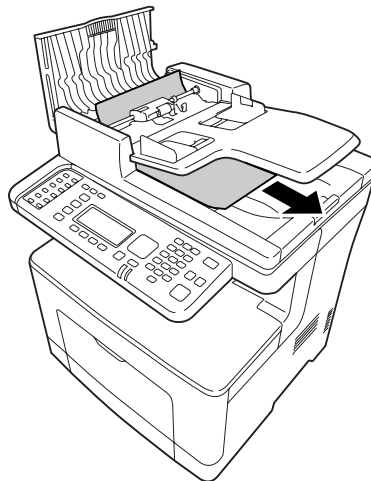
4. Attach the ADF pickup module.



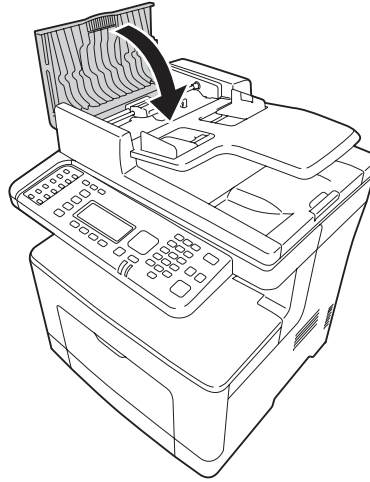
5. Turn the lever to the right to lock the ADF pickup module.



6. If the document is under the tray, pull any sheets of paper out in the direction that paper is fed.



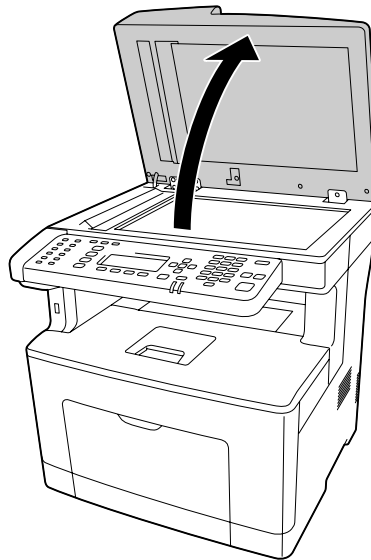
7. Remove all the documents from the ADF, then close the ADF cover.



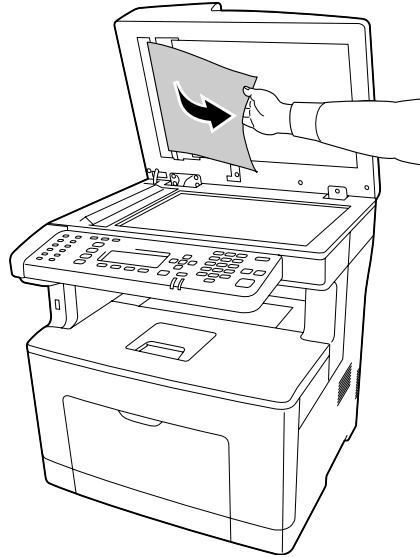
Note:

If you cannot pull out the jammed paper, proceed to the next step.

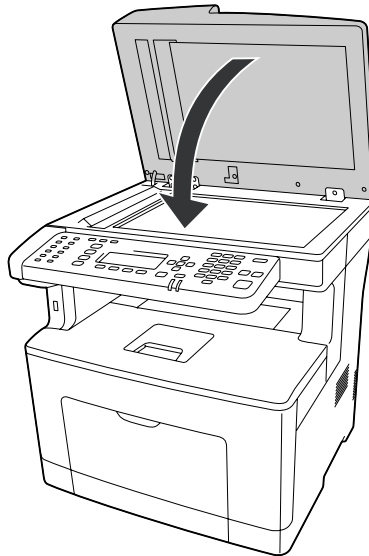
8. Open the document cover.



9. Gently pull any sheets of paper out.



10. Close the document cover.



Printing a Configuration Status Sheet

To confirm the current status of the printer, and that the options are installed correctly, print a configuration status sheet using the printer's control panel or the printer driver.

To print a configuration status sheet from the printer's control panel, see "Printing a Configuration Status Sheet" on page 185.

To print a configuration status sheet from the printer driver, for Windows, see "Printing a configuration status sheet" on page 251.

Operational Problems

The Print LED does not turn on

Cause	What to do
The power cord may not be properly plugged into the electrical outlet.	Turn off the printer, check the power cord connections between the printer and the electrical outlet, then turn the printer back on.
The electrical outlet may be controlled by an outside switch or an automatic timer.	Make sure that the switch is turned on or plug another electrical device into the outlet to check whether the outlet is operating properly.
The printer is in the sleep mode (the Power Saving button lights).	Press the Power Saving button to return the printer to ready status.
The printer is in the power off mode. (For DN models sold in the EU only)	Turn on the power switch. To not enter the power off mode, set Power Off Timer to Off in Energy Saver Menu on the control panel.

The printer does not print (Print LED off)

Cause	What to do
The printer is offline.	Press the Start button once to switch the printer to ready status. Make sure that the Print LED turns on.
Some error may have occurred.	Check the LCD panel to see if an error message appears.
The printer is in the power off mode. (For DN models sold in the EU only)	Turn on the power switch. To not enter the power off mode, set Power Off Timer to Off in Energy Saver Menu on the control panel.

The Print LED is on but nothing prints

Cause	What to do
Your computer may not be properly connected to the printer.	Perform the procedure illustrated in the <i>Setup Guide</i> .
The interface cable may not be plugged in securely.	Check both ends of the interface cable between the printer and the computer.
You may not be using the correct interface cable.	If you are using the USB interface, use a cable that is compatible with Hi-Speed USB.
Your application software is not properly set up for your printer.	Make sure that the printer is selected in your application software.
Your computer system's memory is too small to handle the volume of data in your document.	Try reducing the image resolution of your document in the application software, or install more memory in your computer if you can.

The optional product is not available

Cause	What to do
The printer does not recognize the optional product.	Print a configuration status sheet to see if the printer recognizes the optional product. If not, reinstall the optional product.
The setting for recognizing options may be set manually.	See "Making Optional Settings" on page 251 to set the printer driver to automatically update information about options.

The remaining service life of the consumable products is not updated (Windows only)

Cause	What to do
The interval between updating information for the consumable products is too long.	Press the Get Information Now button on the Consumables Info Settings dialog box. You can also change the interval for updating information about the consumable products on the Consumables Info Settings dialog box.

Cannot install software or drivers

Cause	What to do
You are not accessing the operating system with the administrator privilege.	Access the operating system with the administrator privilege.

Cannot access the shared printer

Cause	What to do
Inappropriate texts are used for the Share name of the shared printer.	Do not use spaces or hyphens for the Share name.
An additional driver cannot be installed on the client computer, although the print server's OS and the client OS are different.	Install the printer drivers from the Software Disc. If your computer does not have a CD/DVD drive, download the driver from the Epson website, and then install it. http://www.epson.eu/Support (Europe) http://support.epson.net/ (outside Europe)
Your network system causes this problem.	Ask the administrator of the network for assistance.

Note:

For the additional driver to be installed, please see the table below.

Server OS	Client OS	Additional Driver
Windows XP*	Windows XP clients	Intel Windows 2000 or XP
	Windows XP x64 clients	x64 Windows XP
Windows XP x64, Server 2003, or Server 2003 x64*	Windows XP clients	Windows XP and Windows Server 2003
	Windows XP x64 clients	x64 Windows XP and Windows Server 2003
Windows 8, 8 x64, 7, Vista, Vista x64, Server 2012 x64, Server 2008, Server 2008 x64, or Server 2008 R2	Windows 8, 7, Vista, or XP clients	x86 Type 3 - User Mode
	Windows 8 x64, 7 x64, Vista x64, or XP x64 clients	x64 Type 3 - User Mode

* The additional driver for Windows XP x64 and Server 2003 x64 can be used on Windows XP Service Pack 2, Windows 2003 Service Pack 1, or later.

Printout Problems

The font cannot be printed

Cause	What to do
For Windows users, you may use the printer fonts substituted for specified TrueType fonts.	In the printer driver, choose the Print TrueType fonts as bitmap check box in the Extended Settings dialog box. (Only when ESC/Page mode is being used)
The selected font is not supported by your printer.	Make sure that you have installed the correct font. See the <i>Font Guide</i> for more information.

Printout is garbled

Cause	What to do
The interface cable may not be plugged in securely.	Make sure that both ends of the interface cable are plugged in securely.
You may not be using the correct interface cable.	If you are using the USB interface, use a cable that is compatible with Hi-Speed USB.
The emulation setting for the port may not be correct.	Specify the emulation mode by using the printer's control panel menus. See "Emulation Menu" on page 144.

Note:

If a status sheet does not print correctly, your printer may be damaged. Contact your dealer or a qualified service representative.

The printout position is not correct

Cause	What to do
The page length and margins may be set incorrectly in your application.	Make sure that you are using the correct page length and margin settings in your application.
The paper size setting may be incorrect.	Make sure the correct paper size is set in the Tray Menu on the control panel.
The MP Tray Size setting may be incorrect.	When loading paper for which the size is not specified with Auto setting, specify the correct paper size on the MP Tray Size setting in the Tray Menu on the control panel.

Cause	What to do
The offset values may be changed in the Printer Adjust Menu.	Confirm and adjust the offset values such as Feed Offset or Scan Offset. See "Printer Adjust Menu" on page 163 for details.

Graphics do not print correctly

Cause	What to do
The printer emulation setting in your application may be incorrect.	Make sure that your application is set for the printer emulation you are using. For example, if you are using the ESC/Page mode, make sure that your application is set to use an ESC/Page printer.

Printouts are extremely curled

Cause	What to do
Your paper may be moist or damp.	Do not store your paper in a humid or damp environment.
The printouts are curled because of heat and pressure of the fuser unit.	Turn the paper over or load a different type of paper
The paper type setting may not be appropriate for the loaded paper.	Set the appropriate paper type in the printer driver.
	Set the value for the used paper type in the Printer Adjust Menu to 0. See "Printer Adjust Menu" on page 163 for detail.
The fixing temperature may not be appropriate.	Try to lower the temperature by the Temp settings in the Printer Adjust Menu. However, do this at your risk, as lowering the temperature too far may prevent normal fixing. See "Printer Adjust Menu" on page 163 for details.

Print Quality Problems

The background is dark or dirty

Cause	What to do
You may not be using the correct type of paper for your printer.	If the surface of your paper is too rough, printed characters may appear distorted or broken. Smooth, high-quality copier paper is recommended for best results. See "Available paper types" on page 267 for information on choosing paper.
The paper path inside the printer may be dusty.	Clean internal printer components by printing three pages with only one character per page.
The Density setting may be too dark.	In the printer driver, click Extended Settings on the Optional Settings tab, and then lighten the Density setting. If the Density setting in the Printing Menu is set to 5, change it back to 3.
There may be a temporary problem with the toner or developer.	Try to perform Dev Refresh or Toner Refresh in the Printer Adjust Menu. Note that Toner Refresh consumes the toner. See "Printer Adjust Menu" on page 163 for details.

Dots appear in the printout

Cause	What to do
The paper path inside the printer may be dusty.	Clean internal printer components by printing three pages with only one character per page.
Your paper may be moist or damp.	Do not store paper in a humid or damp environment. Be sure to use paper that is newly unwrapped.
The paper type setting may not be appropriate for the loaded paper.	Set the appropriate paper type in the printer driver. Adjust the TR settings in the Printer Adjust Menu. See "Printer Adjust Menu" on page 163 for details.
The printer may be being used in a location at a high altitudes.	Adjust the Highland setting in the Printer Adjust Menu. See "Printer Adjust Menu" on page 163 for details.
There may be a temporary problem with the toner or developer.	Try to perform Dev Refresh or Toner Refresh in the Printer Adjust Menu. Note that Toner Refresh consumes the toner. See "Printer Adjust Menu" on page 163 for details.

Cause	What to do
The transfer roller may be dusty.	Perform BTR Cleanings in the Printer Adjust Menu . See "Printer Adjust Menu" on page 163 for details.
The photoconductor unit may be near the end of its service life.	Replace the photoconductor unit. See "Replacing Consumable Products/Maintenance Parts" on page 193.

Print quality or tone is uneven

Cause	What to do
Your paper may be moist or damp.	Do not store paper in a humid or damp environment.
The paper type setting may not be appropriate for the loaded paper.	Set the appropriate paper type in the printer driver. Adjust the TR settings in the Printer Adjust Menu . See "Printer Adjust Menu" on page 163 for details.
There may be a temporary problem with the toner or developer.	Try to perform Dev Refresh or Toner Refresh in the Printer Adjust Menu . Note that Toner Refresh consumes the toner. See "Printer Adjust Menu" on page 163 for details.
The toner cartridge may be near the end of its service life.	If the message on the LCD panel or in EPSON Status Monitor indicates that the toner cartridge is near the end of its service life, replace the toner cartridge. See "Replacing Consumable Products/Maintenance Parts" on page 193. For Windows users, you can also check the remaining service life of the toner cartridge by looking at the Basic Settings tab in the printer driver.
There may be a problem with the photoconductor unit.	Replace the photoconductor unit. See "Replacing Consumable Products/Maintenance Parts" on page 193.

Half-tone images print unevenly

Cause	What to do
Your paper may be moist or damp.	Do not store paper in a humid or damp environment. Be sure to use paper that is newly unwrapped.
The gradation setting is too small when printing graphics.	For Windows users, on the Basic Settings tab in the printer driver, click the Advanced tab and select the More Settings button. Then select the Halftoning .

Cause	What to do
The paper type setting may not be appropriate for the loaded paper.	Set the appropriate paper type in the printer driver.
	Adjust the TR settings in the Printer Adjust Menu. See "Printer Adjust Menu" on page 163 for details.
The toner cartridge may be near the end of its service life.	<p>If the message on the LCD panel or in EPSON Status Monitor indicates that the toner cartridge is near the end of its service life, replace the toner cartridge. See "Replacing Consumable Products/Maintenance Parts" on page 193.</p> <p>For Windows users, you can also check the remaining service life of the toner cartridge by looking at the Basic Settings tab in the printer driver.</p>
There may be a problem with the toner cartridge.	Replace the toner cartridge. See "Replacing Consumable Products/Maintenance Parts" on page 193.
There may be a problem with the photoconductor unit.	Replace the photoconductor unit. See "Replacing Consumable Products/Maintenance Parts" on page 193.

Toner smudges

Cause	What to do
Your paper may be moist or damp.	Do not store your paper in a humid or damp environment.
You may not be using the correct type of paper for your printer.	Smooth, high-quality copier paper is recommended for best results. See "Available paper types" on page 267 for information on choosing paper.
The paper path inside the printer may be dusty.	Clean internal printer components by printing three pages with only one character per page.
There may be a problem with the toner cartridge.	Replace the toner cartridge. See "Replacing Consumable Products/Maintenance Parts" on page 193.
The Highland setting may not be set correctly for printing in a location at a high altitude.	Select the appropriate value in Highland of the Printer Adjust Menu. See "Printer Adjust Menu" on page 163 for details.
The photoconductor unit may be near the end of its service life.	Replace the photoconductor unit. See "Replacing Consumable Products/Maintenance Parts" on page 193.

Areas are missing in the printed image

Cause	What to do
Your paper may be moist or damp.	This printer is sensitive to moisture absorbed by the paper. The higher the moisture content in the paper, the lighter the printout. Do not store paper in a humid or damp environment.
You may not be using the correct type of paper for your printer.	If the surface of your paper is too rough, printed characters may appear distorted or broken. Smooth, high-quality copier paper is recommended for best results. See "Available paper types" on page 267 for information on choosing paper.

Completely blank pages are output

Cause	What to do
The printer may have loaded more than one sheet at a time.	Remove the paper stack and fan it. Tap it on a flat surface to even the edges, then reload the paper.
The problem may be with your application or interface cable.	Print out a configuration status sheet. See "Printing a Configuration Status Sheet" on page 220. If a blank page is ejected, the problem may be with the printer. Turn off the printer and contact your dealer.
The paper size setting may be incorrect.	Make sure the correct paper size is set in the Tray Menu on the control panel.
The MP Tray Size setting may be incorrect.	When loading paper for which the size is not specified with Auto setting, specify the correct paper size on the MP Tray Size setting in the Tray Menu on the control panel.
The toner cartridge may be near the end of its service life.	If the message on the LCD panel or in EPSON Status Monitor indicates that the toner cartridge is near the end of its service life, replace the toner cartridge. See "Replacing Consumable Products/Maintenance Parts" on page 193. For Windows users, you can also check the remaining service life of the toner cartridge by looking at the Basic Settings tab in the printer driver.
There may be a problem with the photoconductor unit.	Replace the photoconductor unit. See "Replacing Consumable Products/Maintenance Parts" on page 193.

The printed image is light or faint

Cause	What to do
Your paper may be moist or damp.	Do not store your paper in a humid or damp environment.
Cover B may not be closed securely.	Open cover B, hold both ends of it, and then close again.
The Toner Save mode may be on.	Turn off the Toner Save mode using the printer driver or the printer's control panel menus. For Windows users, on the Basic Settings tab in the printer driver, click Advanced and select the More Settings button. Then deselect the Toner Save check box.
The Density setting may be too light.	In the printer driver, click Extended Settings on the Optional Settings tab, and then darken the Density setting.
The Density setting may be set too light in the Printing Menu.	Increase the value within the setting range (1 to 5) of Density. See "Printing Menu" on page 142 for detail.
The paper type setting may not be appropriate for the loaded paper.	Set the appropriate paper type in the printer driver.
	Adjust the TR settings in the Printer Adjust Menu. See "Printer Adjust Menu" on page 163 for details.
There may be a temporary problem with the toner or developer.	Try to perform Dev Refresh or Toner Refresh in the Printer Adjust Menu. Note that Toner Refresh consumes the toner. See "Printer Adjust Menu" on page 163 for details.
The toner cartridge may be near the end of its service life.	If the message on the LCD panel or in EPSON Status Monitor indicates that the toner cartridge is near the end of its service life, replace the toner cartridge. See "Replacing Consumable Products/Maintenance Parts" on page 193. For Windows users, you can also check the remaining service life of the toner cartridge by looking at the Basic Settings tab in the printer driver.
There may be a problem with the photoconductor unit.	Replace the photoconductor unit. See "Replacing Consumable Products/Maintenance Parts" on page 193.

The non-printed side of the page is dirty

Cause	What to do
Toner may have spilled onto the paper feed path.	Clean internal printer components by printing three pages with only one character per page.
Printing was made right after the paper jam.	Make a few one-sided printouts.

Cause	What to do
The transfer roller may be dusty.	Perform BTR Cleanings in the Printer Adjust Menu . See "Printer Adjust Menu" on page 163 for details.
The fixing temperature may not be appropriate.	Try to lower the temperature by adjusting the Temp settings in the Printer Adjust Menu . However, do this at your risk, as lowering the temperature too far may prevent normal fixing. See "Printer Adjust Menu" on page 163 for details.

Print quality decreased

Cause	What to do
The printer cannot print in the required quality level because of insufficient memory, and the printer lowers the quality automatically so that the printer can continue printing.	Check to see if the printout is acceptable. If not, lower print quality temporarily in the printer driver. If RAM Disk is set to Maximum or Normal on the control panel, you can increase the available memory space by changing this setting to Off .

Memory Problems

Insufficient memory for current task

Cause	What to do
The printer has insufficient memory for current task.	Reduce the contents of print jobs or lower print quality in the printer driver. When RAM Disk is set to Maximum or Normal on the control panel, you can increase the available memory space by changing this setting to Off .

Insufficient memory to print all copies

Cause	What to do
The printer does not have sufficient memory to collate print jobs.	<p>Reduce the contents of print jobs or lower print quality in the printer driver.</p> <p>When RAM Disk is set to Maximum or Normal on the control panel, you can increase the available memory space by changing this setting to Off.</p>

Paper Handling Problems

Paper does not feed properly

Cause	What to do
The paper guides are not set correctly.	Make sure that the paper guides in all the paper cassettes and the MP tray are set to the correct paper size positions.
The paper source setting may not be correct.	Make sure that you have selected the correct paper source in your application.
There may be no paper in the paper source.	Load paper into the selected paper source.
The size of loaded paper differs from the control panel or printer driver settings.	Make sure that the correct paper size and paper source are set in the control panel or printer driver.
Too many sheets may be loaded in the MP tray or paper cassettes.	Make sure that you have not tried to load too many sheets of paper. For the maximum paper capacity for each paper source, see "General" on page 269.
If paper does not feed from the optional paper cassette unit, the unit may not be installed properly.	For instructions on installing the unit, see "Optional Paper Cassette Unit" on page 186.
The pickup roller is dirty.	Clean up the pickup roller. For instructions, see "Cleaning the pickup roller" on page 196.
<p>The extra-thick paper that is loaded may have the following problems:</p> <ul style="list-style-type: none"> - The paper is too stiff - The paper is too smooth - The paper is curled 	<p>Feed a paper from the standard lower paper cassette.</p> <p>When the paper is 279 mm or longer vertically, set 2 in the Special setting of the Printer Adjust Menu, set the Paper Type setting to Special in the printer driver, then try to print again. See "Printer Adjust Menu" on page 163 for details.</p>

The printout was on the wrong side of the paper when I did duplex printing.

Cause	What to do
<p>In duplex printing mode, the back side of the paper is printed first. However, if <code>Convert to Simplex</code> is set to <code>Odd Page</code>, and a job has an odd number of pages, the last page is printed on the front side of the paper.</p> <p>For single page jobs, printing is done on the front side of the paper whether <code>Convert to Simplex</code> is set to <code>Odd Page</code> or <code>1 Page</code>.</p>	<p>For jobs with three or more pages, set <code>Convert to Simplex</code> to <code>Off</code> or <code>1 Page</code> to do duplex printing.</p> <p>For jobs with just one page, set <code>Convert to Simplex</code> to <code>Off</code> to do duplex printing.</p>

Problems Using Options

To confirm your options are installed correctly, print a status sheet. See “Printing a Configuration Status Sheet” on page 220 for details.

Paper does not feed from the optional paper cassette

Cause	What to do
The paper guides are not set correctly.	Make sure that the paper guides in the optional paper cassettes are set to the correct paper size positions.
The optional paper cassette may not be installed properly.	See “Optional Paper Cassette Unit” on page 186 for instructions on installing an optional paper cassette unit.
The paper source setting may not be correct.	Make sure you have selected the proper paper source in your application.
There may be no paper in the paper cassette.	Load paper into the selected paper source.
Too many sheets may be loaded in the paper cassette.	Make sure that you have not tried to load too many sheets of paper. For the maximum paper capacity for each paper source, see “General” on page 269.
The paper size is not set correctly.	Make sure to set the paper guides in the optional paper cassette correctly.

An installed option cannot be used

Cause	What to do
The installed option is not defined in the printer driver.	For Windows users: You have to make settings manually in the printer driver. See "Making Optional Settings" on page 251.

Correcting USB Problems

If you are having difficulty using printer with a USB connection, see if your problem is listed below, and take any recommended actions.

USB connections

USB cables or connections can sometimes be the source of USB problems.

For best results, you should connect the printer directly to the computer's USB port. If you must use multiple USB hubs, we recommend that you connect the printer to the first-tier hub.

Windows operating system

Your computer must have one of the operating systems supported by this printer pre-installed, or be a model upgraded from Windows XP, Vista, 7, 8, Server 2003, Server 2008, or Server 2012 to an operating system supported by this printer. You must not be able to install or run the USB printer driver on a computer that does not meet these specifications or that is not equipped with a built-in USB port.

For details about your computer, contact your dealer.

Printer software installation

Incorrect or incomplete software installation can lead to USB problems. Take note of the following and perform the recommended checks to ensure proper installation.

Checking printer software installation

When using Windows, you must follow the steps in the *Setup Guide* packed with the printer to install the printer software. Otherwise, Microsoft's Universal driver may be installed instead. To check if the Universal driver has been installed, follow the steps below.

1. Open the **View devices and printers** (for Windows 8 or Server 2012), **Devices and Printers** (for Windows 7), **Printer** (Windows Vista or Server 2008), or **Printers and Faxes** (for Windows XP or Server 2003) folder, then right-click the icon of your printer.
2. Click **Printing Preferences** ("**Printing preferences**" for Windows 8, 7 or Server 2012) on the shortcut menu that appears, then right-click anywhere in the driver.

If **About** is displayed in the shortcut menu that appears, click it. If a message box with the words "Unidrv Printer Driver" appears, you must reinstall the printer software as described in the *Setup Guide*. If About is not displayed, the printer software has been installed correctly.

Note:

*For Windows Vista, Vista x64, XP, XP x64, Server 2003, or Server 2003 x64, if the software installation dialog box appears during the installation process, click **Continue Anyway**. If you click **STOP Installation**, you will have to install the printer software again.*

Status and Error Messages

You can see the printer's status and error messages on the LCD panel. For more information, see "Status and Error Messages" on page 167.

Canceling or Interrupting Printing

Canceling printing

Press the **Stop** button on the printer's control panel, and then press the **F3** button to select Yes.

To cancel a print job before it is sent from your computer, see "Canceling a Print Job" on page 72.

Interrupting printing

If the printer is shared, it is possible to interrupt the current print job to print a different print job.

To interrupt a print job, see “Interrupting Printing” on page 74.

Printing in the PostScript 3 Mode Problems

The problems listed in this section are those that you may encounter when printing with the PostScript driver. All procedural instructions refer to the PostScript printer driver.

The printer does not print correctly in the PostScript mode

Cause	What to do
The printer's emulation mode setting is incorrect.	The printer is set to the <code>Auto</code> mode by default, so that it can automatically determine the encoding used in the received print job data and select the appropriate emulation mode. However, there are situations where the printer cannot select the correct emulation mode. In this case, it must be set manually to <code>PS3</code> . Set the emulation mode through the <code>SelectTypeEmulation</code> Menu on the printer. See “Emulation Menu” on page 144.
The printer's emulation mode setting for the interface that you are using is incorrect.	The emulation mode can be set individually for each interface which receives print job data. Set the emulation mode for the interface you are using to <code>PS3</code> . Set the emulation mode through the <code>SelectTypeEmulation</code> Menu on the printer. See “Emulation Menu” on page 144.

The printer does not print

Cause	What to do
An incorrect printer driver is selected.	Make sure that the PostScript printer driver that you are using to print is selected.
The <code>Emulation</code> Menu in the printer's Control Panel is set to a mode other than <code>Auto</code> or <code>PS3</code> for the interface that you are using.	Change the mode setting to either <code>Auto</code> or <code>PS3</code> .

The printer or its driver does not appear in utilities in the printer configuration (Mac OS only)

Cause	What to do
The printer name has been changed.	Ask the network administrator for details, then select the appropriate printer name.

The font on the printout is different from that on the screen

Cause	What to do
The PostScript screen fonts are not installed.	The PostScript screen fonts must be installed on the computer that you are using. Otherwise, the font that you select is substituted by some other font for display on the screen.
For Windows users only The appropriate substitution fonts are not correctly specified on the Device Settings tab of the printer's Properties dialog box.	Specify the appropriate substitution fonts using the Font Substitution Table.

The printer fonts cannot be installed

Cause	What to do
The Emulation Menu in the printer's Control Panel is not set to P _S 3 for the interface that you are using.	Change the Emulation Menu setting to P _S 3 for the interface that you are using, then try reinstalling the printer fonts again.

The edges of texts and/or images are not smooth

Cause	What to do
The Print Quality is set to Fast .	Change the Print Quality setting to Fine .

The printer does not print normally via the USB interface

Cause	What to do
<p>For Windows users only</p> <p>The Data Format setting in the printer's Properties is not set to ASCII or TBCP.</p>	<p>The printer cannot print binary data when it is connected to the computer via the USB interface. Make sure that the Data Format setting, which is accessed by clicking Advanced on the PostScript sheet of the printer's Properties, is set to ASCII or TBCP.</p> <p>If your computer is running Windows Vista, Vista x64, XP, XP x64, click the Device Settings tab in the printer's Properties, then click the Output Protocol setting and select ASCII or TBCP.</p>
<p>For Mac OS users only</p> <p>The print setting in the application is set to binary encoding.</p>	<p>The printer cannot print binary data when it is connected to the computer via the USB interface. Make sure that the print setting in the application is set to ASCII encoding.</p>

The printer does not print normally via the network interface

Cause	What to do
<p>For Windows users only</p> <p>The Data Format setting is different from the data format setting specified in the application.</p>	<p>If the file is created in an application that allows you to change the data format or encoding, such as Photoshop, make sure that the setting in the application matches that in the printer driver.</p>
<p>For Windows users only</p> <p>The print data is too large.</p>	<p>Click Advanced on the PostScript sheet of the printer's Properties, then change the Data Format setting from ASCII data (default) to TBCP (Tagged binary communications protocol).</p> <p>When the Binary setting is set to On, TBCP is not available. Use the Binary protocol. See "PS3 Menu" on page 146 for details.</p>
<p>For Windows users only</p> <p>Printing cannot be performed using the network interface.</p>	<p>Click Advanced on the PostScript sheet of the printer's Properties, then change the Data Format setting from ASCII data (default) to TBCP (Tagged binary communications protocol).</p> <p>When the Binary setting is set to On, TBCP is not available. Use the Binary protocol. See "PS3 Menu" on page 146 for details.</p>

An undefined error occurs (Mac OS only)

Cause	What to do
<p>The version of the Mac OS that you are using is unsupported.</p>	<p>This printer's driver can only be used on Mac OS computers running Mac OS X version 10.5.8 or later.</p>

Scanning Problems

Scanner operational problems

You cannot scan using the Auto Document Feeder

- ❑ Make sure **Auto Detect** (Office Mode only), **Scanner Glass, ADF - Double-sided**, or **ADF - Single-sided** is selected as the Document Source setting in Epson Scan. See “Scanning in Office Mode” on page 89 or “Scanning in Professional Mode” on page 90 for instructions.
- ❑ If the document cover or ADF cover is open, close it and try scanning again.

Scanning software problems

You cannot start Epson Scan

- ❑ If you are using any TWAIN-compliant program, such as Adobe Photoshop Elements, make sure that the correct scanner is selected as the Scanner or Source setting.
- ❑ If you upgraded your computer's operating system, you need to uninstall Epson Scan and reinstall it.

For Windows:

1. Uninstall Epson Scan as described in “Uninstalling the printer software” on page 259.
2. Install Epson Scan from the printer Software Disc.

Note:

*If your computer does not have a CD/DVD drive, download the Epson Scan from the Epson website.
<http://www.epson.eu/Support> (Europe)
<http://support.epson.net/> (outside Europe)*

For Mac OS X:

1. Download the Uninstaller and Epson Scan from the Epson website.
<http://www.epson.eu/Support> (Europe)
<http://support.epson.net/> (outside Europe)

2. Double-click the **Uninstaller** icon, select the check box for Epson Scan from the list displayed, and click **Uninstall**. Then follow the on-screen instructions..
 3. Install Epson Scan.
- For Windows users, make sure your printer's name appears under Imaging device without a (?) or an exclamation (!) mark in the Device Manager window. If the printer's name appears with one of these marks or as an Unknown device, uninstall Epson Scan as described in "Uninstalling the printer software" on page 259, then reinstall it from the printer Software Disc.

Scan quality problems

The edges of your original are not scanned

Move the document or photo about 2 mm (0.08 inch) away from the horizontal and vertical edges of the document table to avoid cropping.

A line or line of dots always appears in your scanned images

The document table or the exposure window for Auto Document Feeder may be dusty. For details about cleaning, see "Cleaning the document table and the exposure window for Auto Document Feeder" on page 201.

If you still have the problem, the document table may be scratched. Contact your dealer for assistance.

Straight lines in your image come out crooked

Make sure the document lies perfectly straight on the document table.

Your image is distorted or blurred



- Make sure the document or photo lies flat on the document table. Also make sure your document or photo is not wrinkled or warped.

- ❑ Make sure you do not move the document or photo, or your printer while scanning.
- ❑ Make sure the printer is placed on a flat, stable surface.
- ❑ Select **Unsharp Mask** check box in Office Mode or Professional Mode window. See “Image Adjustment Features” on page 93 for details.
- ❑ Adjust the **Auto Exposure Type** setting in Professional Mode window. See “Scanning in Professional Mode” on page 90 for instructions.
- ❑ Click **Configuration**, select the **Color** tab, and select **Color Control** and **Continuous auto exposure** in the Color menu. See Epson Scan Help for details.
- ❑ Click **Configuration**, select the **Color** tab, and click **Recommended Value** to return the Auto Exposure Level setting to the default. See Epson Scan Help for details.
- ❑ Increase the resolution setting. See “Scanning in Office Mode” on page 89 or “Scanning in Professional Mode” on page 90 for instructions.

Colors are patchy or distorted at the edges of your image




If your document is very thick or curled at the edges, cover the edges with paper to block external light as you scan.

Your scanned image is too dark



- ❑ If your original is too dark, try using the **Backlight Correction** feature in Professional Mode. See “Image Adjustment Features” on page 93 for details.

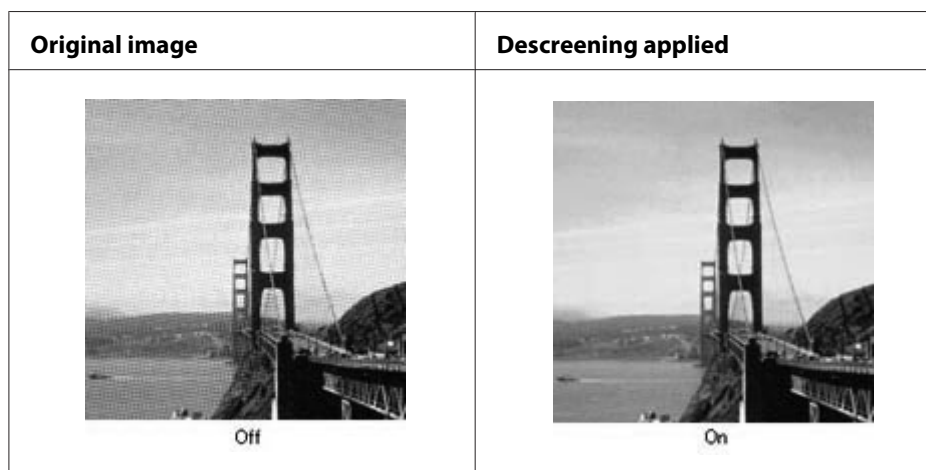
- Check the **Image Adjustment** setting. See “Image Adjustment Features” on page 93 for details.
- Click **Configuration**, select the **Color** tab, and change the **Display Gamma** setting to match your output device, such as a monitor or printer, in the Color menu. See Epson Scan Help for details.
- Click **Configuration**, select the **Color** tab, and select **Color Control** and **Continuous auto exposure** in the Color menu. See Epson Scan Help for details.
- Click **Configuration**, select the **Color** tab, and click **Recommended Value** to return the Auto Exposure Level setting to the default. See Epson Scan Help for details.
- Click the  Histogram Adjustment icon in Professional Mode to adjust the brightness.
- Check the brightness and contrast settings of your computer monitor.

An image on the back of your original appears in your scanned image

If your original is printed on thin paper, images on the back may be visible to the scanner and appear in your scanned image. Try scanning the original with a piece of black paper placed on the back of it. Also make sure the **Document Type** and **Image Type** settings are correct for your original. See “Scanning in Professional Mode” on page 90 for instructions.

Ripple patterns appear in your scanned image

A ripple or cross-hatch pattern (called moiré) may appear in a scanned image of a printed document. It is caused by interference from the differing pitches in the scanner’s screen and the halftone screen in your original.



- Select the **Descreening** check box. In Professional Mode, select an appropriate **Screen Ruling** for the Descreening and deselect the **Unsharp Mask** setting. See “Image Adjustment Features” on page 93 for details.

- ❑ Select a lower resolution setting. See “Scanning in Office Mode” on page 89 or “Scanning in Professional Mode” on page 90 for instructions.

Note:

You cannot remove ripple patterns when you are scanning using a resolution higher than 600 dpi.

Scanned colors differ from the original colors

- ❑ Make sure the **Image Type** setting is correct. See “Scanning in Professional Mode” on page 90 for instructions.
- ❑ Click **Configuration**, select the **Color** tab, and change the **Display Gamma** setting to match your output device, such as a monitor or printer, in the Color menu. See Epson Scan Help for details.
- ❑ Adjust the **Auto Exposure Type** setting in Professional Mode. Also try selecting a different **Tone Correction** setting. See “Image Adjustment Features” on page 93 for details.
- ❑ Click **Configuration**, select the **Color** tab, and select **Color Control** and **Continuous auto exposure** in the Color menu. See Epson Scan Help for details.
- ❑ Click **Configuration**, select the **Color** tab, and click **Recommended Value** to return the Auto Exposure Level setting to the default. See Epson Scan Help for details.
- ❑ Make sure to enable the **Embed ICC Profile** setting. In the File Save Settings window, select **JPEG** or **TIFF** as the Type setting. Click **Options**, then select the **Embed ICC Profile** check box. To access the File Save Settings window, see “Scanning in Office Mode” on page 89 or “Scanning in Professional Mode” on page 90.
- ❑ Check the color matching and color management capabilities of your computer, display adapter, and software. Some computers can change the palette of colors on your screen. See your software and hardware manuals for details.
- ❑ **Windows:** Use the color management system for your computer, ICM. Add a color profile that matches your monitor to improve on-screen color matching. Exact color matching is very difficult. Check your software and monitor documentation for information on color matching and calibration.
- ❑ **Mac OS X:** Use the color management system for your computer, ColorSync. Exact color matching is very difficult. Check your software and monitor documentation for information on color matching and calibration.
- ❑ Printed colors can never exactly match the colors on your monitor because printers and monitors use different color systems: monitors use RGB (red, green, and blue) and printers typically use CMYK (cyan, magenta, yellow, and black).

Images are rotated incorrectly

Make sure the documents or photos are placed on the document table correctly. See “Setting Your Originals” on page 50 for details.

Copying Problems**Copy operational problems****The printer does not copy**

Make sure the original is loaded correctly. See “Setting Originals to Copy” on page 99.

Auto Document Feeder:	Place the original face-up in the Auto Document Feeder.
document table:	Place the original face-down on the document table.

Copy quality problems

As a first step, see “Print Quality Problems” on page 226.

Printout is not fine enough

Cause	What to do
You may not be using the correct type of paper for copying.	The available paper types for copying are not the same as that for printing. When you copy an original, use the correct type of paper. For details of the available paper types, see “Basic Copying” on page 99.

The information on the back side or background color is printed on the copy

Cause	What to do
The original is almost transparent or extremely thin.	When you copy a thin double-sided original, the information on the back side of the original may be printed on the copy. Using black paper or an underlay beneath the original may solve the problem.

Cause	What to do
The copy setting may not be matched with the original.	<p>Select the settings that match the original and make a copy. When the settings are made correctly, the back side is not copied as the brightest part is adjusted to white. This also removes the yellowish color in the background.</p> <p>If these problems cannot be solved even if the settings are made correctly, select Text for Document Type or set the contrast to a positive value.</p>

Copies are blank, or images are missing or faded

Try one or more of the following solutions.

- The accuracy of the copy depends on the quality and size of the original. Try adjusting the contrast with the printer. If your original is too light, the copy might not be able to compensate, even if you adjust the contrast.
- If the original have a colored background, images in the foreground might blend too much or the background might appear in a different shade. Adjust the settings before copying or enhance the image after it has been copied.

Improving copy quality

Try one or more of the following solutions.

- Copy from the document table. This will produce a higher quality copy than copying from the Auto Document Feeder.
- Use quality originals.
- Open or close the MP tray to accommodate the copy job. If you are copying to standard weight media, use the paper cassette. If you are copying to heavy media, use the MP tray.
- If your printer frequently feeds more than one page at a time, replace the pickup roller.
- Use or make a carrier sheet to protect your originals.

Completely blank pages are output

Try one or more of the following solutions.

- The original might have been loaded upside down. In the Auto Document Feeder, load the original with the short edge forward and the side to be scanned facing up.

- ❑ If you are getting blank pages when scanning from the document table, make sure the original is loaded correctly. Place the original face-down on the document table with the top left corner of the document located in the lower right corner of the glass.

The background is dark and dirty

Make sure you have the correct copy quality settings. Try adjusting the settings. See “Making Changes to Copy Settings” on page 105.

A line of dots always appears in your scanned image

The exposure window for Auto Document Feeder may be dusty. Clean the table. See “Cleaning the document table and the exposure window for Auto Document Feeder” on page 201 for details. If you still have the problem, contact your dealer.

A blank copy is output even though an original is set in the Auto Document Feeder during scanning.

Check if the document cover or ADF cover is closed firmly.

Faxing Problems

Sending and receiving faxes problems

The document stops feeding during faxing

Try one or more of the following solutions.

- ❑ The maximum length of a page you can load is 356 mm. Faxing a longer page stops at 356 mm. The minimum page size for the Auto Document Feeder is 140 × 210 mm (5.5 × 8.3 in.). If the item is too small, it can jam inside the Auto Document Feeder.
- ❑ Try sending to a different fax machine. There might be problems with the fax machine you are sending to.
- ❑ Try one of the followings. There might be problems with the phone line.

Turn up the speaker volume on the printer and press the **Start** button on the control panel. If you hear a dial tone, the phone line is working. To change the speaker volume, see “Basic Settings” on page 155. Disconnect the printer from the phone jack and connect a phone. Try to make a phone call to make sure the phone line is working.

The printer is not receiving faxes

Check if **Line Type** in **Basic Settings** is set correctly for your telephone line.

The printer is not sending faxes

Try one or more of the following solutions.

- If the printer is in setting mode, finish the setting and try sending the fax again.
- If the printer is receiving a fax, try sending the fax again after the fax has been received.
- If the PC-FAX function is operating, wait for it to finish and then try sending the fax again.

The printer is receiving faxes but not sending them

Try one or more of the following solutions.

- If your printer is on a PBX system, the PBX system might be generating a dial tone the printer cannot detect. Disable the detect dial tone setting. See “Basic Settings” on page 155.
- If you think there might be a poor connection on this phone line, try sending the fax later and see if it sends successfully.

Faxes you send are not arriving

Try one or more of the following solutions.

- Call the recipient to make sure the fax machine is on and ready to receive faxes.
- Make sure the fax is still waiting in memory. A fax might be in memory because it is waiting to redial a busy number, there are other jobs ahead of it waiting to be sent, or the fax is set up for a delayed send. If a fax job is in memory for any of these reasons, press the **Fax Memory** button to show the fax job history and confirm that there is no pending job.

Incoming fax calls are not being answered

Try one or more of the following solutions.

- ❑ Check if the **Receive Mode** is set to **Auto**. If the **Receive Mode** is set to **Manual**, the printer never answers calls. Answer the phone and start receiving the fax yourself. See “Reception Settings” on page 157.
- ❑ Make sure the printer is connected properly to a phone line.
- ❑ Check if there are too many devices connected to the phone line. Try removing the last device connected and see if the printer works. If not, continue removing devices one at a time and retry after removing each one.
- ❑ Make sure the phone line is working. Try one of the followings.

Turn up the speaker volume on the printer and press the **Start** button on the control panel. If you hear a dial tone, the phone line is working. Disconnect the printer from the phone jack and connect a phone. Try to make a phone call to make sure the phone line is working.
- ❑ Check if the printer is out of paper. If the printer is out of paper and its memory is full, it will not be able to receive faxes. Refill paper in the MP tray or the paper cassette. The printer will print all of the faxes it has saved in memory and will then resume answering fax calls.

Faxes are transmitting or being received very slowly

Try one or more of the following solutions.

- ❑ Check if you are sending or receiving a very complex fax. A complex fax, such as one with many graphics, takes longer to be sent or received.
- ❑ Check if the receiving fax machine has a slow modem speed. The printer only sends the fax at the fastest modem speed the receiving fax machine can use.
- ❑ Check if the resolution at which the fax was sent or received is very high. A higher resolution typically results in better quality, but also requires a longer transmission time. If you are receiving the fax, call and ask the sender to lower the resolution and resend the fax. If you are sending, lower the resolution and resend the fax.
- ❑ Check if there is a poor phone line connection. If there is a poor phone line connection, the printer and the receiving fax machine slow down line transmission to adjust for errors. Hang up and resend the fax. If this does not work, have the phone company check the phone line.

Quality problems occur

Check if **Image Quality Selection** and **Fax Density Selection** under the **Basic Settings** tab are specified correctly.

Smudges appear in printouts

Clean the document table. For details, see “Cleaning the document table and the exposure window for Auto Document Feeder” on page 201.

The image of the received data is divided or reduced

Check if the size of the paper being output matches the size of the received data.

Sender information is not printed

Try one or more of the following solutions.

- Check if `Print Sender Info` is set to `On`. For details, see “Transmission Settings” on page 156.
- Register your name and number in `Personal Settings`. For details, see “Basic Settings” on page 155.

Time setting is incorrect

The time setting may be reset if the printer’s power remains off for a long time. Set the time again in `Time Settings` in `Setup Menu`. See “Setup Menu” on page 131 for instructions.

Printout problems***Faxes are not printing or are printing incorrectly***

Make sure there is media in the MP tray or the paper cassette. If there is no media, load the MP tray or the paper cassette. Any faxes received while the input tray is empty are stored in memory and will print out once the tray has been refilled.

Chapter 12

About the Printer Software

Using the Printer Software for Windows

Using the printer driver

The printer driver is the software that allows you to adjust printer settings to get the best results.

Note:

The printer driver's online help provides details on printer driver settings.

Note for Windows Vista users:

Do not press the power button or put your computer to standby or hibernate mode manually during printing.

Accessing the printer driver

You can access the printer driver directly from any application programs, and from your Windows operating system.

The printer settings made from any Windows applications override the setting made from the operating system.

From the application

Click **Print**, **Print Setup**, or **Page Setup** from the File menu. As necessary, click **Setup**, **Options**, **Properties**, or a combination of these buttons.

Windows 8/Windows Server 2012 users

Right-click the bottom left corner of the screen in the desktop style, select **Control Panel**. Then click **View devices and printers**, right-click the printer, and select **Printing preferences**.


Note:

*To display the control panel without a mouse in the modern UI style, swipe the right edge of the screen to left, and select **Settings** in the charm bar menu.*

Windows 7 users

Click the start button, select **Devices and Printers**. Then right-click the printer and select **Printing preferences**.

Windows Vista, Server 2008 users

Click  **Start**, click **Control Panel**, then double-click **Printers**. Right-click your printer's icon, then click **Printing Preferences**.

Windows XP, Server 2003 users

Click **Start**, click **Printers and Faxes**. Right-click your printer's icon, then click **Printing Preferences**.

Printing a configuration status sheet

To confirm the current status of the printer, print a status sheet from the printer driver.

Note:

Print the configuration status sheet on A4 size paper (Landscape.)

1. Access the printer driver.
2. Click the **Optional Settings** tab and then click **Configuration** in Print Status Sheets.

Making Extended Settings

You can make various settings in the Extended Settings dialog box. To open the dialog box, click **Extended Settings** on the Optional Settings tab.

Making Optional Settings

The printer driver can update the installed option information automatically by clicking **Acquire from Printer**.

1. Access the printer driver.
2. Click the **Optional Settings** tab, then click **Manual Settings**.
3. The Optional Settings dialog box appears.
4. Make settings for each installed option, then click **OK**.

Displaying consumable product information

The remaining service life of the consumable products is displayed on the Basic Settings tab.

Note:

- ❑ *This function is available only when EPSON Status Monitor is installed.*
- ❑ *This information might be different from the information displayed in EPSON Status Monitor. Use EPSON Status Monitor to get more detailed information about consumable products.*
- ❑ *If the genuine consumable products are not used, the level indicator and the alert icon showing the remaining service life are not displayed.*

Ordering consumable products and maintenance parts

Click the **Order Online** button on the Basic Settings tab. See “Order Online” on page 258 for details.

Note:

This function is available only when EPSON Status Monitor is installed.

Using EPSON Status Monitor

EPSON Status Monitor is a utility program that monitors your printer and gives you information about its current status.

Installing EPSON Status Monitor

Insert the Software Disc that came with your product and select **Product status monitoring and Automatic updates (RECOMMENDED)** on the Software Installation Options screen.

If your computer does not have a CD/DVD drive, go to the following Epson website to download and install the software.

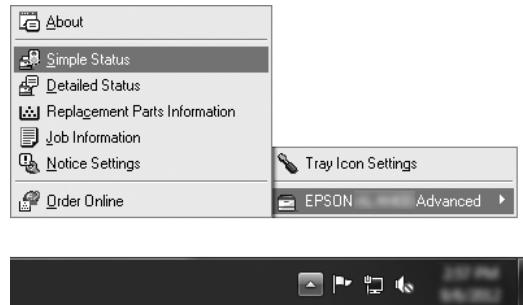
<http://support.epson.net/setupnavi/>

Note:

If you want to use the printer via the print server, you have to install EPSON Status Monitor with administrator privileges in each client.

Accessing EPSON Status Monitor

Click the EPSON Status Monitor tray icon on the taskbar, then select the printer name and menu you want to access.



Note:

- You can also access EPSON Status Monitor by clicking the **Simple Status** button on the **Optional Settings** tab on the printer driver.
- The **Order Online** dialog box also appears by clicking the **Order Online** button on the **Basic Settings** tab in the printer driver.

About	You can obtain information about EPSON Status Monitor such as product versions or interface versions.
Simple Status	You can check printer status, errors, and warnings.
Detailed Status*	You can monitor detailed printer status. When a problem occurs, the most probable solution is displayed. See "Detailed Status" on page 254.
Replacement Parts Information*	You can obtain information on paper sources and replacement parts. See "Replacement Parts Information" on page 254.
Job Information*	You can check print job information. See "Job Information" on page 255.
Notice Settings	You can make specific monitoring settings. See "Notice Settings" on page 257.
Order Online	You can order consumable products and maintenance parts online. See "Order Online" on page 258.
Tray Icon Settings	You can set the information to display when the Tray icon is double-clicked while there are no jobs sent from the computer.

* You can also access any of the menus by clicking the appropriate tab on each information window.

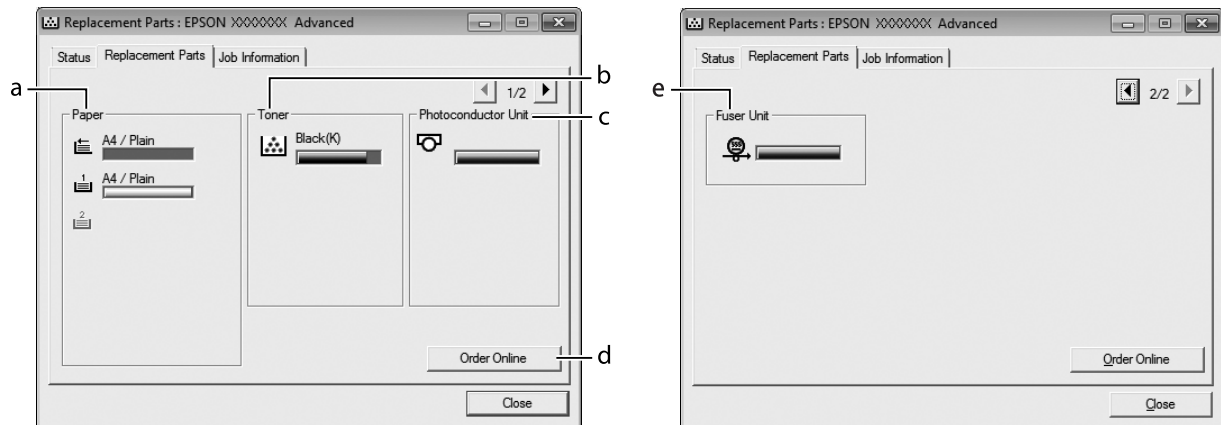
Note for Windows XP users:

EPSON Status Monitor is not available when printing from a Remote Desktop connection.



Detailed Status



Replacement Parts Information



Note:

To change the two windows above, click  or .

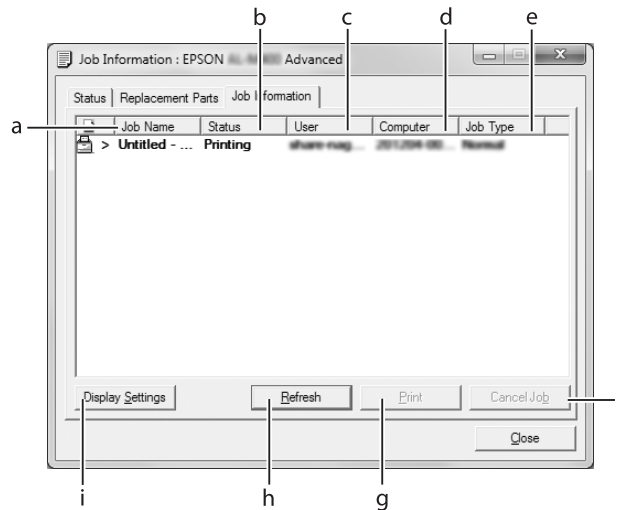
a.	Paper:	Displays the paper size, the paper type and the approximate amount of paper remaining in the paper source.
b.	Toner:	Indicates the remaining service life of the toner cartridge. The toner icon flashes when the toner cartridge has some error or has neared the end of its service life.
c.	Photoconductor Unit:	Indicates the remaining service life of the photoconductor unit. The photoconductor unit icon flashes when the photoconductor unit has some error or has neared the end of its service life.
d.	Order Online button:	Clicking this button enables you to order consumable products and maintenance parts online. See "Order Online" on page 258 for details.

e.	Fuser Unit:	Indicates the remaining service life of the fuser unit. The service icon flashes when the fuser unit has some error or has neared the end of its service life.
----	-------------	--

Note:

The remaining service lives of the replacement parts are displayed only if genuine Epson parts are used.

Job Information



a.	Job Name:	Displays the user's print job names. Other user's print jobs are displayed as -----.	
b.	Status:	Waiting:	Indicates the print job is waiting to be printed.
		Spooling:	Indicates the print job is being spooled on your computer.
		Deleting:	Indicates the print job is being deleted.
		Printing:	Indicates the print job is printed currently.
		Completed:	Indicates the print job have finished.
		Canceled:	Indicates the print job have been canceled.
	Held:	Indicates the print job is on hold.	
c.	User:	Displays the user name.	
d.	Computer:	Displays the name of the computer that sent the print job.	
e.	Job Type:	Displays the job type. About the Reserve Job function, see "Using the Reserve Job Function" on page 71.	

f.	Cancel Job button:	Cancels the selected print job.
g.	Print button:	Prints the held status job.
h.	Refresh button:	Refreshes the information on this menu.
i.	Display Settings button:	Displays the Display Settings dialog box to select items and the order they are displayed on the Job Information screen and to select the type of jobs to be displayed.

Note for Windows XP users:

Shared Windows XP LPR connections and shared Windows XP Standard TCP/IP connections with Windows clients do not support the Job Management function.

The **Job Information** tab is available when the following connections are used:

Server and Client Environments:

- When using the shared Windows Server 2012 x64, Server 2008, Server 2008 x64, Server 2003, or Server 2003 x64 LPR connection with Windows 8, 8 x64, Vista, Vista x64, XP, or XP x64 clients.
- When using the shared Windows 8, 8 x64, Vista, Vista x64, Sever 2012 x64, Server 2008, Server 2008 x64, Server 2003, or Server 2003 x64 Standard TCP/IP connection with Windows 8, 8 x64, Vista, Vista x64, XP, or XP x64.
- When using the shared Windows 8, 8 x64, Vista, Vista x64, Server 2012 x64, Server 2008, Server 2008 x64, Server 2003, or Server 2003 x64 EpsonNet Print TCP/IP connection with Windows 8, 8 x64, Vista, Vista x64, XP, or XP x64 clients.

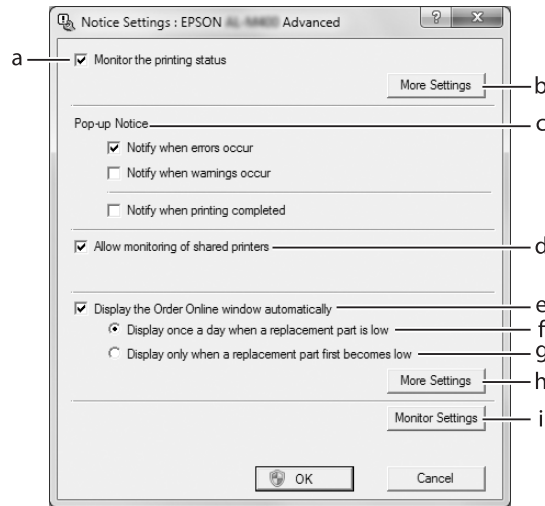
Client only Environments:

- When using the LPR connection (in Windows 8, 7, Vista, Vista x64, XP, or XP x64).
- When using the Standard TCP/IP connection (in Windows 8, 7, Vista, Vista x64, XP, or XP x64).
- When using the EpsonNet Print TCP/IP connection (in Windows 8, 7, Vista, Vista x64, XP, or XP x64).

Note:

If the user account used to log on to a client is different from the user account used to connect to the server, the job management function is not available.

Notice Settings



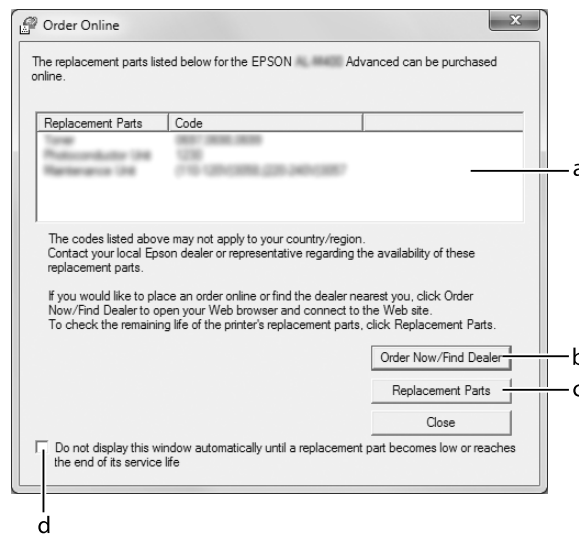
a.	Monitor the printing status check box:	When this check box is selected, EPSON Status Monitor monitors the printer status during a print job is processed.
b.	More Settings button:	Opens the More Settings dialog box to set how to display the tray icon.
c.	Pop-up Notice:	Sets the notification to be displayed.
d.	Allow monitoring of shared printers check box:	When this check box is selected, a shared printer can be monitored by other computers. If you connect the printer via a server with Windows Point & Print, it communicates with the OS communication function. Therefore you can monitor the printer without selecting this check box.
e.	Display the Order Online window automatically check box:	When this check box is selected, the Order Online window appears automatically when a replacement part becomes low or reaches end of service life.
f.	Display once a day when a replacement part is low check box:	When this radio button is selected, the Order Online window appears automatically once a day when you start printing or display the status by accessing EPSON Status Monitor.
g.	Display only when a replacement part first becomes low check box:	When this radio button is selected, the Order Online window appears automatically only when a replacement part first becomes low.
h.	More Settings button:	Opens the More Settings dialog box in which you can set the URL for placing an order appears.
i.	Monitor Settings button:	Opens the Monitor Settings dialog box to set the monitoring interval.

Note for Windows 8, 7 or Vista users:

When **Allow monitoring of shared printers** check box is selected, the User Account Control dialog box will appear. Then click **Yes** (for Windows 8, or 7) or **Continue** (for Windows Vista) to make the settings.

Note:

When sharing the printer, be sure to set EPSON Status Monitor so that the shared printer can be monitored on the print server.

Order Online

a.	Text box:	Displays the replacement parts and codes.
b.	Order Now/Find Dealer button:	Connects to the URL where you can place an order and find the dealer nearest you. If you do not want a confirmation message, select the Do not display the confirmation message before connecting check box in the More Settings dialog box. The More Settings dialog box appears by clicking the More Settings button in the Notice Settings dialog box.
c.	Replacement Parts button:	Displays the replacement parts information.
d.	Do not display this window automatically until a replacement part becomes low or reaches the end of its service life check box:	When this check box is selected, the Order Online window appears automatically only when a replacement part first becomes low or reaches end of service life.

Uninstalling the printer software

To uninstall the printer software, close all applications first, and then uninstall the printer software from the following menu on the Control Panel.

- Uninstall a Program** (for Windows 8, Server 2012)
- Program and Features** (for Windows 7, Vista, Server 2008)
- Change or Remove Programs** (for Windows XP or Server 2003)

Select the printer software that you want to uninstall, and then click the item below.

- Uninstall/Change** (for Windows 7, Vista, Server 2008)
- Change/Remove** (for Windows XP, Server 2003)

Note:

If you uninstall the printer driver, EPSON Status Monitor is also uninstalled.

Using the PostScript Printer Driver

System requirements

Printer hardware requirements

	Recommended
Memory	No restrictions for the system

Computer system requirements

Windows

	Recommended
OS	Windows 8, 8 x64, 7, 7 x64, Vista, Vista x64, XP, XP x64, Server 2012 x64, Server 2008, Server 2008 x64, Server 2003, or Server 2003 x64
Remarks	No restrictions for these systems

Mac OS X

	Recommended
OS Version	Mac OS X 10.5.8 or later
Computer	Power Mac G3, G4, G5, iMac, eMac, PowerBook G3, G4, or iBook

Note:

If you use binary data for the network connection, you need to set **Binary** to **On** in the **PS3** Menu on the control panel. For details about the settings, see the *Network Guide*. If you use the printer with a local connection, you cannot use binary data.

Using the PostScript printer driver with Windows

To print in the PostScript mode, you will have to install the printer driver. See the appropriate sections below for installation instructions according to the interface that you are using to print.

Installing the PostScript printer driver for the USB interface

Note:

- Installing the printer software for Windows may require administrator privileges. If you have problems, ask your administrator for more information.
 - Turn off all virus protection programs before installing the printer software.
1. Make sure that the printer is turned off. Insert the printer Software Disc into your CD-ROM drive.

Note:

If your computer does not have a CD/DVD drive, download the driver from the Epson website.
<http://www.epson.eu/Support> (Europe)
<http://support.epson.net/> (outside Europe)

2. Connect your computer to the printer with a USB cable, then turn on the printer.

Note for Windows Vista users:

Without the Windows driver or the Adobe PS driver, the display shows "Found New Hardware." In this case, click **Ask me again later**.

3. For Windows 8 or 8 x64, right-click the bottom left corner of the screen, select **Control Panel**, click **View devices and printers**, then click **Add a printer** button.
For Windows 7 or 7 x64, click the start button, select **Devices and Printers**, and click the **Add a printer** button.
For Windows Vista, Vista x64, XP, XP x64, Server 2008, or Server 2008 x64, click **Start**, point to **Printer and Faxes**, and click **Add a printer** in the Printer Tasks menu.
For Windows 2000, Server 2003, or Server 2003 x64, click **Start**, point to **Settings**, and click **Printers**. Then double-click the **Add Printer** icon.

The Add Printer Wizard appears.

4. For Windows 8, 8 x64, 7, 7 x64, Vista, Vista x64, Server 2012, Server 2008, or Server 2008 x64, select **Add a local printer**.
For Windows XP, XP x64, 2000, Server 2003, click **Next** to proceed the next screen, select **Local printer**, then click **Next**.

Note:

Do not select the **Automatically detect and install my Plug and Play printer** check box.

5. Select **USB** as the port the printer is connected to, then click **Next**.
6. Click **Have Disk** and specify the following path for the Software Disc. If your CD/DVD drive is D:, the path will be D:\Driver\PostScript\<<model name>\eppsnt.inf. Then click **OK**.

Note:

Change the drive letter as needed for your system.

7. Select the printer, then click **Next**.
8. Follow the on-screen instructions for the rest of the installation.
9. When installation is done, click **Finish**.

Installing the PostScript printer driver for the network interface

Note:

- Set the network settings before installing the printer driver. Refer to the Network Guide that comes with your printer for details.
 - Turn off all virus protection programs before installing the printer software.
1. Make sure that the printer is turned on. Insert the printer Software Disc into your CD/DVD drive.

Note:

If your computer does not have a CD/DVD drive, download the driver from the Epson website.

<http://www.epson.eu/Support> (Europe)

<http://support.epson.net/> (outside Europe)

- For Windows 8 or 8 x64, right-click the bottom left corner of the screen in the desktop style, select **Control Panel**, click **View devices and printers**, then click **Add a printer** button.
For Windows 7 or 7 x64, click the start button, select **Devices and Printers**, and click the **Add a printer** button.
For Windows Vista, Vista x64, XP, XP x64, Server 2008, or Server 2008 x64, click **Start**, point to **Printer and Faxes**, and click **Add a printer** in the Printer Tasks menu.
For Windows 2000, Server 2003, or Server 2003 x64, click **Start**, point to **Settings**, and click **Printers**. Then double-click the **Add Printer** icon.

The Add Printer Wizard appears.

- For Windows 8, 8 x64, 7, 7 x64, Vista, Vista x64, Server 2012, Server 2008, or Server 2008 x64, select **Add a local printer**.
For Windows XP, XP x64, 2000, Server 2003, click **Next** to proceed the next screen, select **Local printer**, then click **Next**.

Note:

Do not select the **Automatically detect and install my Plug and Play printer** check box.

- Select the **Create a new port** check box and select **Standard TCP/IP Port** from the drop-down list. Click **Next**.
- (For Windows XP, 2000, or Server 2003 users only) Click **Next**.
- Specify the IP address and port name, then click **Next**.
- Click **Finish**.
- Click **Have Disk** in the Add Printer Wizard and specify the following path for the Software Disc. If your CD/DVD drive is D:, the path will be D:\Driver\PostScript\\eppsnt.inf. Then click **OK**.

Note:

Change the drive letter as needed for your system.

- Select the printer and click **Next**.

10. Follow the on-screen instructions for the rest of the installation.
11. When installation is done, click **Finish**.

Accessing the PostScript printer driver

You can change the PostScript printer driver settings in the PostScript printer driver. To access the printer driver, see "Accessing the printer driver" on page 250.

Using the PostScript printer driver with Mac OS X

Installing the PostScript printer driver

Go to the following Epson support website to download and install the driver.

<http://www.epson.eu/Support> (Europe)

<http://support.epson.net/> (outside Europe)

Selecting the printer

After installing the PostScript 3 printer driver, you need to select the printer.

In a network environment

Note:

You need to make the settings for your installed options manually when the printer is connected using USB, IP printing, or Bonjour.

Make sure to specify ASCII as the data format in the application.

1. Open the System Preferences, and then double-click the Print & Fax ("Print & Scan" for Mac OS X 10.8 or 10.7) icon.

The Print & Fax ("Print & Scan" for Mac OS X 10.8 or 10.7) window appears.

2. Click in the Printers window.
3. Select the printer name that you are using from the printer name box.

Note:

If your printer is not listed, check that it is correctly connected to the computer and that the printer is on.

4. Click **Add**.

5. Confirm that your printer's name is added to the Printers list. Then quit **Print & Fax** ("**Print & Scan**" for Mac OS X 10.8 or 10.7).

Accessing the PostScript printer driver

You can change the PostScript printer driver settings in the PostScript printer driver.

Changing the printer setup settings

You can change or update the printer setup settings according to the options installed in your printer.

1. Open the **System Preferences**, and then double-click the **Print & Fax** ("**Print & Scan**" for OS X 10.8 or 10.7) icon.
2. Select the printer from the list.
3. Select **Options & Supplies**.
4. Make necessary changes to the settings, then close the dialog box.
5. Quit **Print & Fax** ("**Print & Scan**" for Mac OS 10.8 or 7).

Using the PCL Printer Driver

Using Epson Universal P6 Printer Driver

Epson Universal P6 Printer Driver is the universal PCL6 compatible print driver that has the following features:

- It supports the basic print functions needed for business situations.
- It supports multiple Epson business printers besides this printer.
- It supports most languages among the print drivers for this printer.

Computer system requirements

Your computer must be running one of the supported Microsoft Windows versions listed in the table below, and must meet the system requirements of its operating system.

	Recommended
OS	Windows 8, 8 x64, 7, 7 x64, Vista, Vista x64, XP, XP x64, Server 2012 x64, Server 2008, Server 2008 x64, Server 2003, or Server 2003 x64
Remarks	No restrictions for these systems

Supported Printers

If your CD/DVD drive is D:, open **Epson_Universal_P6_Supplement.txt** in the **D:\Driver\PCLUniversal**, and refer to Supported Printers.

Supported Languages

If your CD/DVD drive is D:, open **Epson_Universal_P6_Supplement.txt** in the **D:\Driver\PCLUniversal**, and refer to Supported Languages.

Installing the Printer Driver

1. Insert the printer Software Disc into your CD/DVD drive.

Note:

If your computer does not have a CD/DVD drive, download the driver from the Epson website, and then install it.

<http://www.epson.eu/Support> (Europe)

<http://support.epson.net/> (outside Europe)

2. If your CD/DVD drive is D:, double-click **EP_P6x86.exe** in the **D:\Driver\PCLUniversal\<model name>\Win32** for 32-bit Windows OS or **EP_P6x64.exe** in the **D:\Driver\PCLUniversal\<model name>\Win64** for 64-bit Windows OS.

Note:

Change the drive letter as needed for your system.

3. Follow the on-screen instructions.

After the installation is done, access your printer's **Properties** to customize the settings and **Printing Preferences** to make the appropriate printer driver settings.

Note:

The printer driver's online help provides details on printer driver settings.

Uninstalling the printer driver

Note:

The procedure below uses Windows 7 as an example.

1. Close all applications.
2. Access **Program and Features** on the Control Panel.
3. Select **Epson Universal Laser P6**, and then click **Uninstall/Change**.

Follow the on screen instructions.

Appendix A

Technical Specifications

Paper

Since the quality of any particular brand or type of paper may be changed by the manufacturer at any time, Epson cannot guarantee the quality of any type of paper. Always test samples of paper stock before purchasing large quantities or printing large jobs.

Available paper types

Paper type	Description
Plain paper	Weight: 60 to 80 g/m ² (Recycled paper is acceptable. *)
Envelopes	No paste and no tape. No plastic window. (unless specifically designed for laser printers.)
Labels	The backing sheet should be covered completely, with no gaps between labels.
Semi thick paper	Weight: 81 to 105 g/m ²
Thick paper	Weight: 106 to 163 g/m ²
Extra thick paper	Weight: 164 to 216 g/m ²
Paper with letterhead	Paper and ink of letterheads must be compatible with laser printers.

* Use recycled paper only under normal temperature and humidity conditions. Poor quality paper may reduce print quality, or cause paper jams and other problems.

Paper that should not be used

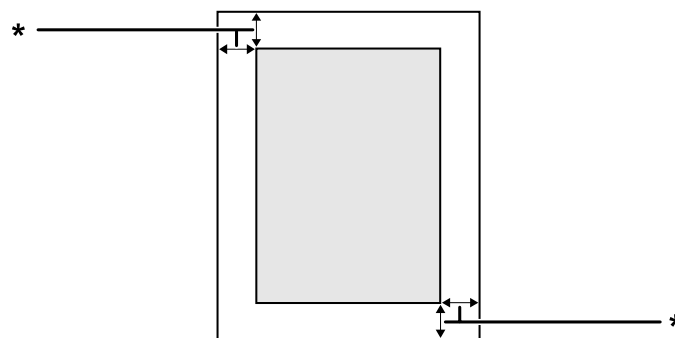
You cannot use the following paper in this printer. It may cause printer damage, paper jams, and poor print quality:

- Media meant for other black-and-white laser printers, color laser printers, color copiers, black-and-white copiers, or ink jet printers
- Previously printed paper by any other black-and-white laser printers, color laser printers, color copiers, black-and-white copiers, ink jet printers, or thermal transfer printers

- Carbon paper, carbonless paper, thermal-sensitive paper, pressure-sensitive paper, acid paper, or paper that uses high-temperature-sensitive ink (around 180°C)
- Labels that peel easily or labels that do not cover the backing sheet completely
- Special surface-coated paper or special surface-colored paper
- Paper that has binder holes or is perforated
- Paper that has glue, staples, paper clips, or tape on it
- Paper that attracts static electricity
- Moist or damp paper
- Paper of uneven thickness
- Overly thick or thin paper
- Paper that is too smooth or too rough
- Paper that is different on the front and back
- Paper that is folded, curled, wavy, or torn
- Paper of irregular shape, or paper that does not have right angle corners

Printable area

The assured printable area is an area 4 mm from all sides.



* 4 mm

Note:

The printable area may be smaller depending on the application.

Printer

General

Printing method:	Laser beam scanning and dry electrophotographic process	
Resolution:	600 × 600 dpi, 1200 × 1200 dpi	
Continuous printing speed*1:	Up to 35 pages per minute on A4 size paper	
Paper feed:	Automatic or manual feed	
Paper feed alignment:	Center alignment for all sizes	
Input paper supply:		
MP tray:	plain paper	Up to a 5.5 mm thick stack, or up to 50 sheets (80 g/m ²)
	envelopes	Up to 5.5 mm
	labels	Up to 5.5 mm
	semi thick paper	Up to a 5.5 mm thick stack
	thick paper	Up to a 5.5 mm thick stack
	extra thick paper	Up to a 5.5 mm thick stack
Standard lower paper cassette:	plain paper	Up to a 27 mm thick stack, or up to 250 sheets (80 g/m ²)
	labels	Up to a 10 mm thick stack
	semi thick paper	Up to a 27 mm thick stack
	thick paper	Up to a 10 mm thick stack
	extra thick paper	Up to a 10 mm thick stack
Optional paper cassette unit:	plain paper	Up to a 27 mm thick stack, or up to 250 sheets (80 g/m ²)
	labels	Up to a 10 mm thick stack
	semi thick paper	Up to a 27 mm thick stack
	thick paper	Up to a 10 mm thick stack
	extra thick paper	Up to a 10 mm thick stack

Paper output:	Face-down tray	For all paper types and sizes
Paper output capacity:	Face-down tray	Up to 150 sheets of plain paper (80 g/m ²)
Printer language:	ECP/Page	
	ESC/P 2 24-pin printer emulation (ESC/P 2 mode)	
	ESC/P 9-pin printer emulation (FX mode)	
	IBM Proprinter emulation (I239X mode)	
	Adobe PostScript3 (PS3 mode)	
	PCL6/PCL5 emulation (PCL mode)	
	PDF 1.6* ²	
Resident fonts:	84 scalable fonts, and 7 bitmap fonts for ESC/Page 95 scalable fonts, and 5 bitmap for PCL5 80 scalable fonts, and 1 bitmap for PCL6 136 scalable fonts for PostScript3	
RAM:	1024 MB	

*1 Printing speed varies by paper type or other conditions.

*2 Available only when used over a network.

Scanner

Scanner type	Flatbed color image scanner
Photoelectric device	4-lines CCD (R, G, B, B/W)
Effective area	216 × 297 mm (8.5 × 11.7 in.)
Effective pixels	10,200 × 14,040 pixels at 1200 dpi
Document size	A4, Letter (LT)
Image data	16 bits per pixel per color internal 1 to 8 bits per pixel per color external

Auto Document Feeder

Type:	Page transportation and duplex scanning with automatic reverse.
Photoelectric device	4-lines CCD (R, G, B, B/W)
Effective area	216 × 356 mm (8.5 × 14.0 in.)

Effective pixels	5100 × 8400 pixels at 600 dpi
Maximum paper size:	Legal (LGL)
Capacity:	Up to 50 sheets (75 g/m ²)
Weight:	60 to 125 g/m ²
Document layout:	Center
Life cycle:	100,000 times or 5 years, whichever comes sooner

Copy

Copy mode	Black and White A4/ 600 dpi	
First copy	8.2 sec	
Copy speed	Multi-copy	35 ppm
	Continuous copy (ADF)	27.4 ppm

Fax (DNF model only)

Supported communications lines	PSTN (subscriber lines) PBX (independent premises internal lines)	
Communication speed	33600/ 31200/ 28800/ 26400/ 24000/ 21600/ 19200/ 16800/ 14400/ 12000/ 9600/ 7200/ 4800/ 2400 bps	
Protocol	G3, G3ECM	
Transmission and reception mode	Transmits and receives 1 bit monochrome	
Image compression method	MH, MR, MMR	
Transmission and reception of scanning line density	16 × 15.4, 8 × 15.4, 8 × 7.7. 8 × 3.85 dot/mm	
Document size	Document table	A4, Letter
	Auto Document Feeder	A4, Letter, Legal
Print paper size	A4, Letter, Legal	

Environmental

Temperature:	In use:	5 to 32°C (41 to 89.6°F)
	Not in use:	-20 to 40°C (-4 to 104°F)
Humidity:	In use:	15 to 85% RH
	Not in use:	5 to 85% RH
Altitude*:	3,100 meters (10,171 feet) maximum	

* If the printer is used at an altitude greater than 1000 m, adjust the value in the **Highland** setting of the **Printer Adjust Menu**. See "Printer Adjust Menu" on page 163 for details.

Mechanical

Dimensions		Height: 503 mm (19.8 in.) Width: 430 mm (16.2 in.) Depth: 426 mm (16.8 in.)
Weight	DN model	Approx. 18.6 kg (about 41.0 lb) (Excluding consumable products and options)
	DNF model	Approx. 18.8 kg (about 41.5 lb) (Excluding consumable products and options)

Electrical

	DN model 220-240 V	DNF model 220-240 V	DNF model 110-127 V
Rated voltage	220 V-240 V	220 V-240 V	110 V-127 V
Rated frequency	50 Hz / 60 Hz	50 Hz / 60 Hz	50 Hz / 60 Hz
Rated current	6.0 A	6.0 A	11.0 A

			DN model 220-240 V	DNF model 220-240 V	DNF model 110-127 V
Power consumption	During printing	Average	409 W	395 W	453 W
		MAX	940 W	940 W	850 W
	During ready mode		37 W	38 W	36 W
	During sleep mode*		3.02 W	3.26 W	3.25 W
	During deep sleep mode		0.98 W	0.99 W	1.07 W
	During power off mode		0 W	-	-

* Values represent power consumption while all operations are completely suspended. Power consumption varies depending on operating conditions, and whether a USB memory is inserted.

Note for users in Taiwan:

Rated voltage of this printer in Taiwan is 110 V to 127V.

Standard and approvals

European model:

Low Voltage Directive 2006/95/EC	EN 60950-1 EN 62311
EMC Directive 2004/108/EC	EN 55022 Class B EN 55024 EN 61000-3-2 EN 61000-3-3
R& TTE directive 1999/5/EC (DNF model only)	TBR21 EN 60950-1

For European users:

We, Seiko Epson Corporation, hereby declare that this equipment, model L733B is in compliance with the essential requirements and other relevant provisions of Directive 1999/5/EC.

For use only in:

Ireland, UK, Austria, Germany, Liechtenstein, Switzerland, France, Belgium, Luxemburg, Netherlands, Italy, Portugal, Spain, Denmark, Finland, Norway, Sweden, Iceland, Cyprus, Greece, Slovenia, Malta, Bulgaria, Czech, Estonia, Hungary, Latvia, Lithuania, Poland, Romania, Slovakia, and Croatia.



Indication of the manufacturer and the importer in accordance with requirements of directive 2011/65/EU (RoHS)

Manufacturer:	SEIKO EPSON CORPORATION	
Address:	3-5, Owa 3-chome, Suwa-shi, Nagano-ken 392-8502 Japan	
	Telephone:	81-266-52-3131

Importer:	EPSON EUROPE B.V.	
Address:	Azië building, Atlas Arena, Hoogoorddreef 5, 1101 BA Amsterdam Zuidoost The Netherlands	
	Telephone:	31-20-314-5000

Interfaces

USB interface

Hi-Speed USB - Compatible with the USB 2.0 Specification

Note:

- Your computer must support Hi-Speed USB or USB in order to use Hi-Speed USB or USB as the interface to connect your computer to the printer.
- Since Hi-Speed USB is fully compatible with USB, USB can be used as an interface.

USB Host interface

Hi-Speed USB - Compatible with the USB 2.0 Specification

Note:

Contact your dealer about supported devices.

Ethernet interface

You can use an IEEE 802.3 1000BASE-T/100BASE-TX/10BASE-Te straight-through shielded, twisted-pair interface cable with an RJ45 connector.

Options

Optional paper cassette unit

Product code:	C12C802791
Paper size:	A4, A5, B5, Letter (LT), Half Letter (HLT), Legal (LGL), Government Letter (GLT), Government Legal (GLG), Executive (EXE), F4
Paper weight:	60 to 216 g/m ² (16 to 57.5 lb)
Paper feed:	One optional paper cassette unit can be installed. Automatic feed delivery system Cassette capacity up to 250 sheets
Paper types:	Plain paper, Semi thick paper, Preprinted paper, Letterhead, Recycled paper, Color paper, Thick paper, Extra thick paper, Labels, Special
Dimensions and weight:	
Height:	90 mm (3.5 in.)
Width:	430 mm (16.9 in.)
Depth:	399 mm (15.7 in.)
Weight:	3 kg (6.6 lb) including cassette

Note:

This product conforms to CE marking requirements in accordance with EC Directive 2004/108/EC.

Consumable Products

Toner cartridge/Return toner cartridge

Product code/Model:	High Capacity Toner Cartridge	6089 ^{*1}
	Standard Capacity Toner Cartridge	6090 ^{*1}
	Return High Capacity Toner Cartridge ^{*2}	6091 ^{*1}
Storage temperature:	0 to 35°C (32 to 95°F)	
Storage humidity:	15 to 80% RH	

^{*1} This product conforms to CE marking requirements in accordance with EMC Directive 2004/108/EC.

^{*2} Return toner cartridge is not sold in some areas. Contact your local Epson dealer/representative about the availability of the Return toner cartridge scheme.

Maintenance Parts

Photoconductor Unit

Product code/Model:	Photoconductor Unit (Black)	1228 [*]
Storage temperature:	0 to 35°C (32 to 95°F)	
Storage humidity:	15 to 80% RH	

^{*} This product conforms to CE marking requirements in accordance with EMC Directive 2004/108/EC.

Fuser Unit

Product code/Model:	3049/3050 ^{*1*2}	
Storage temperature:	0 to 35°C (32 to 95°F)	
Storage humidity:	15 to 80% RH	

^{*1} This product conforms to CE marking requirements in accordance with EMC Directive 2004/108/EC.

^{*2} Fuser unit part numbers vary by location.

Appendix B

Where To Get Help

Contacting Epson Support

Before Contacting Epson

If your Epson product is not operating properly and you cannot solve the problem using the troubleshooting information in your product documentation, contact Epson support services for assistance. If Epson support for your area is not listed below, contact the dealer where you purchased your product.

Epson support will be able to help you much more quickly if you give them the following information:

- Product serial number
(The serial number label is usually on the back of the product.)
- Product model
- Product software version
(Click **About**, **Version Info**, or similar button in the product software.)
- Brand and model of your computer
- Your computer operating system name and version
- Names and versions of the software applications you normally use with your product

Help for Users in Europe

Check your **Pan-European Warranty Document** for information on how to contact Epson support.

Help for Users in Taiwan

Contacts for information, support, and services are:

World Wide Web (<http://www.epson.com.tw>)

Information on product specifications, drivers for download, and products enquiry are available.

Epson HelpDesk (Phone: +0280242008)

Our HelpDesk team can help you with the following over the phone:

- Sales enquiries and product information
- Product usage questions or problems
- Enquiries on repair service and warranty

Repair service center:

Telephone number	Fax number	Address
02-23416969	02-23417070	No.20, Beiping E. Rd., Zhongzheng Dist., Taipei City 100, Taiwan
02-27491234	02-27495955	1F., No.16, Sec. 5, Nanjing E. Rd., Songshan Dist., Taipei City 105, Taiwan
02-32340688	02-32340699	No.1, Ln. 359, Sec. 2, Zhongshan Rd., Zhonghe City, Taipei County 235, Taiwan
039-605007	039-600969	No.342-1, Guangrong Rd., Luodong Township, Yilan County 265, Taiwan
038-312966	038-312977	No.87, Guolian 2nd Rd., Hualien City, Hualien County 970, Taiwan
03-4393119	03-4396589	5F., No.2, Nandong Rd., Pingzhen City, Taoyuan County 32455, Taiwan (R.O.C.)
03-5325077	03-5320092	1F., No.9, Ln. 379, Sec. 1, Jingguo Rd., North Dist., Hsinchu City 300, Taiwan
04-23011502	04-23011503	3F., No.30, Dahe Rd., West Dist., Taichung City 40341, Taiwan (R.O.C.)
04-23380879	04-23386639	No.209, Xinxing Rd., Wuri Dist., Taichung City 414, Taiwan (R.O.C.)
05-2784222	05-2784555	No.463, Zhongxiao Rd., East Dist., Chiayi City 600, Taiwan
06-2221666	06-2112555	No.141, Gongyuan N. Rd., North Dist., Tainan City 704, Taiwan

Telephone number	Fax number	Address
07-5520918	07-5540926	1F., No.337, Minghua Rd., Gushan Dist., Kaohsiung City 804, Taiwan
07-3222445	07-3218085	No.51, Shandong St., Sanmin Dist., Kaohsiung City 807, Taiwan
08-7344771	08-7344802	1F., No.113, Shengli Rd., Pingtung City, Pingtung County 900, Taiwan

Appendix C

Software License Terms

Open Source Software Licenses

This product contains a number of open-source software. The following table indicates the list of the open-source software which this product uses and these licenses.

Software license	Software version	Application software package
GNU GPL	GNU General Public License Version 2, June 1991 or later	linux-2.6.35-arm1-epson12
		ethtool-2.6.35
		busybox-1.17.4
GNU LGPL	GNU Lesser General Public License Version 2, June 1991 or later	uclibc-0.9.32
BSD license	-	busybox-1.17.4
Sun RPC license	-	busybox-1.17.4
Net-SNMP license	-	Net-SNMP
ncftp license	-	ncftp-3.2.4
cyrus-sasl license	-	cyrus-sasl 2.1.25
libkrb license	-	libkrb 5-1.10.3
OpenLDAP license	-	OpenLDAP 2.4.30
OpenSSL license	-	OpenSSL 1.0.1c
WPA Supplicant	-	wpa supplicant 0.7.3
Apache Licence	the Apache License Version 2.0	mDNSResponder-107.6 OpenSSL 1.0.1c
NICTA Licence	NICTA Public Source Licence version 1.0	mDNSResponder-107.6

For the detailed explanation about open-source software licenses, see the OSS.pdf.

Other Software Licenses

libtiff

libtiff Copyright © 1988-1997 Sam Leffler Copyright © 1991-1997 Silicon Graphics, Inc. Permission to use, copy, modify, distribute, and sell this software and its documentation for any purpose is hereby granted without fee, provided that (i) the above copyright notices and this permission notice appear in all copies of the software and related documentation, and (ii) the names of Sam Leffler and Silicon Graphics may not be used in any advertising or publicity relating to the software without the specific, prior written permission of Sam Leffler and Silicon Graphics. THE SOFTWARE IS PROVIDED “AS-IS” AND WITHOUT WARRANTY OF ANY KIND, EXPRESS, IMPLIED OR OTHERWISE, INCLUDING WITHOUT LIMITATION, ANY WARRANTY OF MERCHANTABILITY OR FITNESS FOR A PARTICULAR PURPOSE. IN NO EVENT SHALL SAM LEFFLER OR SILICON GRAPHICS BE LIABLE FOR ANY SPECIAL, INCIDENTAL, INDIRECT OR CONSEQUENTIAL DAMAGES OF ANY KIND, OR ANY DAMAGES WHATSOEVER RESULTING FROM LOSS OF USE, DATA OR PROFITS, WHETHER OR NOT ADVISED OF THE POSSIBILITY OF DAMAGE, AND ON ANY THEORY OF LIABILITY, ARISING OUT OF OR IN CONNECTION WITH THE USE OR PERFORMANCE OF THIS SOFTWARE.

Info-ZIP

This is version 2007-Mar-4 of the Info-ZIP license. The definitive version of this document should be available at <ftp://ftp.info-zip.org/pub/infozip/license.html> indefinitely and a copy at <http://www.info-zip.org/pub/infozip/license.html>.

Copyright © 1990-2007 Info-ZIP. All rights reserved.

For the purposes of this copyright and license, “Info-ZIP” is defined as the following set of individuals:

Mark Adler, John Bush, Karl Davis, Harald Denker, Jean-Michel Dubois, Jean-loup Gailly, Hunter Goatley, Ed Gordon, Ian Gorman, Chris Herborth, Dirk Haase, Greg Hartwig, Robert Heath, Jonathan Hudson, Paul Kienitz, David Kirschbaum, Johnny Lee, Onno van der Linden, Igor Mandrichenko, Steve P. Miller, Sergio Monesi, Keith Owens, George Petrov, Greg Roelofs, Kai Uwe Rommel, Steve Salisbury, Dave Smith, Steven M. Schweda, Christian Spieler, Cosmin Truta, Antoine Verheijen, Paul von Behren, Rich Wales, Mike White.

Permission is granted to anyone to use this software for any purpose, including commercial applications, and to alter it and redistribute it freely, subject to the above disclaimer and the following restrictions:

1. Redistributions of source code (in whole or in part) must retain the above copyright notice, definition, disclaimer, and this list of conditions.
2. Redistributions in binary form (compiled executables and libraries) must reproduce the above copyright notice, definition, disclaimer, and this list of conditions in documentation and/or other materials provided with the distribution. The sole exception to this condition is redistribution of a standard UnZipSFX binary (including SFXWiz) as part of a self-extracting archive; that is permitted without inclusion of this license, as long as the normal SFX banner has not been removed from the binary or disabled.
3. Altered versions--including, but not limited to, ports to new operating systems, existing ports with new graphical interfaces, versions with modified or added functionality, and dynamic, shared, or static library versions not from Info-ZIP--must be plainly marked as such and must not be misrepresented as being the original source or, if binaries, compiled from the original source. Such altered versions also must not be misrepresented as being Info-ZIP releases--including, but not limited to, labeling of the altered versions with the names "Info-ZIP" (or any variation thereof, including, but not limited to, different capitalizations), "Pocket UnZip," "WiZ" or "MacZip" without the explicit permission of Info-ZIP. Such altered versions are further prohibited from misrepresentative use of the Zip-Bugs or Info-ZIP e-mail addresses or the Info-ZIP URL(s), such as to imply Info-ZIP will provide support for the altered versions.
4. Info-ZIP retains the right to use the names "Info-ZIP," "Zip," "UnZip," "UnZipSFX," "WiZ," "Pocket UnZip," "Pocket Zip," and "MacZip" for its own source and binary releases.

ArcFour

This code illustrates a sample implementation of the Arcfour algorithm.

Copyright © April 29, 1997 Kalle Kaukonen. All Rights Reserved.

Redistribution and use in source and binary forms, with or without modification, are permitted provided that this copyright notice and disclaimer are retained.

THIS SOFTWARE IS PROVIDED BY KALLE KAUKONEN AND CONTRIBUTORS "AS IS" AND ANY EXPRESS OR IMPLIED WARRANTIES, INCLUDING, BUT NOT LIMITED TO, THE IMPLIED WARRANTIES OF MERCHANTABILITY AND FITNESS FOR A PARTICULAR PURPOSE ARE DISCLAIMED. IN NO EVENT SHALL KALLE KAUKONEN OR CONTRIBUTORS BE LIABLE FOR ANY DIRECT, INDIRECT, INCIDENTAL, SPECIAL, EXEMPLARY, OR CONSEQUENTIAL DAMAGES (INCLUDING, BUT NOT LIMITED TO, PROCUREMENT OF SUBSTITUTE GOODS OR SERVICES; LOSS OF USE, DATA, OR PROFITS; OR BUSINESS INTERRUPTION) HOWEVER CAUSED AND ON ANY THEORY OF LIABILITY, WHETHER IN CONTRACT, STRICT LIABILITY, OR TORT (INCLUDING NEGLIGENCE OR OTHERWISE) ARISING IN ANY WAY OUT OF THE USE OF THIS SOFTWARE, EVEN IF ADVISED OF THE POSSIBILITY OF SUCH DAMAGE.

Index

- A**
- Anti-copy (copy protection) function
 - how to use (Windows).....69
 - Auto Document Feeder (ADF)
 - specifications.....270
 - Available paper.....99, 267
- B**
- Basic Settings.....155
- C**
- Canceling printing.....72, 235
 - Cleaning
 - ADF pickup roller.....202
 - document table.....200, 201
 - exposure window.....201
 - Collate copying.....103
 - Communication Settings.....159
 - Consumable products
 - Replacing.....193
 - Consumables
 - specification (toner cartridge).....276
 - Contacting Epson.....277
 - Control panel
 - overview.....28
 - Control panel menus
 - emulation.....144
 - energy saver.....139
 - ESCP2.....147
 - FX.....150
 - I239X.....152
 - network.....137
 - PCL.....145
 - Printer Adjust Menu.....163
 - printing.....142
 - PS3.....146
 - reset.....140
 - setup.....131
 - support.....163
 - system report.....129
 - tray.....141
 - USB.....136
 - USB host.....137
 - Copy
 - collate copying.....103
 - full-page copy.....107
 - specifications.....271
 - Copy Settings
 - Copy Function Settings.....154
- D**
- Duplex printing.....61
- E**
- Emulation menu.....144
 - Energy saver menu.....139
 - Epson Scan
 - scanning over a network.....86
 - scanning via USB interface.....86
 - EPSON Status Monitor
 - Accessing EPSON Status Monitor (Windows).....253
 - Installing EPSON Status Monitor (Windows).....252
 - Job Information (Windows).....255
 - Notice Settings (Windows).....257
 - Order Online.....258
 - Replacement Parts Information (Windows).....254
 - Status (Windows).....254
 - ESCP2 menu.....147
 - Ethernet.....275
- F**
- Fax
 - Fax to E-mail.....119
 - Fax to Folder.....119
 - Fax to Forward.....119
 - Fax to memory.....118
 - output paper size.....116

PC-FAX.....	114	ethernet.....	275
quick-dial.....	113	USB.....	274
re-dial.....	114	USB host interface.....	275
specifications.....	271	Interrupting printing.....	74, 236
speed-dial.....	112		
Fax Settings menu		J	
Basic Settings.....	155	Job memory.....	127
Communication Settings.....	159		
Reception Settings.....	157	M	
Transmission Settings.....	156	Maintenance	
Full-page copy.....	107	ADF pickup roller.....	202
Fuser unit		document table.....	200, 201
Specifications.....	276	exposure window.....	201
FX menu.....	150	printer.....	195
		Printer (pickup roller).....	196
G		Maintenance Parts	
Guides		specification (fuser unit).....	276
Font Guide.....	35	specification (photoconductor unit).....	276
Network Guide.....	34	Marquee.....	96, 97
Online Help.....	35	MP tray	
OSS.....	35	Specifications.....	36
Setup Guide.....	34	Supported paper.....	36
User's Guide.....	34		
		N	
H		Network menu.....	137
Headers and footers.....	66		
Help		O	
Epson.....	277	Office Mode, basic settings.....	89
Hidden Watermark (copy protection) function.....	69	Optional paper cassette unit	
		how to install.....	187
I		how to remove.....	192
I239X menu.....	152	specifications.....	275
Image Adjustment.....	93	Options	
Installing options		specifications (optional paper cassette unit).....	275
installing the optional paper cassette unit.....	187	Overlay	
removing the paper cassette unit.....	192	how to create (Windows).....	67
Installing the postScript printer driver (Mac OS).....	263	how to print (Windows).....	68
Installing the PostScript printer driver for the network		how to use (Windows).....	67
interface (Windows).....	261		
Installing the PostScript printer driver for the USB			
interface (Windows).....	260		
Interfaces			

P	
Paper	
available paper.....	267
loading the lower paper cassette.....	40
loading the MP tray.....	36
printable area.....	268
Special media.....	45
unavailable paper.....	267
Paper Jam	
Cover B.....	206
how to clear.....	205
in the Auto Document Feeder.....	216
MP tray, Cassette1-2, Cover B.....	208
Paper source	
lower paper cassette.....	40
MP tray.....	36
PCL menu.....	145
Photoconductor unit	
Specifications.....	276
PostScript printer driver	
Accessing the PostScript printer driver (Mac OS)....	264
Accessing the PostScript printer driver (Windows)	
.....	263
hardware requirements.....	259
Selecting a printer in a network environment for	
Mac OS X users.....	263
Precautions	
Replacing consumable products.....	193
Previewing.....	95
Print layout	
Modifying the print layout.....	62
Printer	
cleaning.....	195
cleaning (pickup roller).....	196
consumable products.....	32
electrical.....	272
environmental.....	272
general.....	269
maintenance parts.....	33
mechanical.....	272
optional products.....	32
parts (front view).....	24
parts (inside the scanner).....	27
parts (inside).....	26
parts (rear view).....	25
parts (scanner).....	27
standard and approvals.....	273
transporting.....	17
transporting (long distance).....	202
transporting (short distance).....	203
Printer driver	
Accessing the printer driver (Windows).....	250
Uninstalling the Printer software (Windows).....	259
Printer driver settings	
Creating an overlay (Windows).....	67
Duplex printing.....	61
Emphasize Thin Lines.....	61
Making a new watermark.....	65
Making Extended settings (Windows).....	251
Making Optional settings (Windows).....	251
print layout.....	62
Printing the copy-protected document.....	69
Printing with an overlay.....	68
Re-Print Job.....	71
Reserve Job.....	71
Toner Save mode.....	59
Using a watermark.....	64
Using an overlay.....	67
Using headers and footers.....	66
Visibility.....	59
Printer software (Windows)	
About.....	250
Printing Directly from a USB Memory	
document printing.....	76
image printing.....	77
index printing.....	75
Printing directly from a USB memory.....	75
Printing menu.....	142
Problems	
contacting Epson.....	277
solving.....	277
Product	
parts (scanner).....	27
Professional Mode, basic settings.....	90
PS3 menu.....	146
R	
Reception Settings.....	157

Relocating the printer.....	17
Replacement Messages.....	193
Reserve job data.....	183
Reset menu.....	140

S

Scan	
Skip Blank Pages.....	90
Scanner	
specifications.....	270
Service.....	277
Setup menu.....	131
how to access.....	126
Special media	
Printing on.....	45
Status and error messages.....	167
Status sheet	
how to print.....	185, 220
Support menu.....	163

T

Toner cartridge	
Specifications.....	276
Toner Save mode.....	59
Toner Save mode.....	59
Transmission Settings.....	156
Transporting the printer (long distance).....	202
Transporting the printer (short distance).....	203
Tray menu.....	141
Troubleshooting.....	167 , 185 , 205 , 220 , 235 , 236
copying problems.....	244
faxing problems.....	246
memory problems.....	231
operational problems.....	221
options.....	233
paper handling problems.....	232
PostScript 3 mode.....	236
print quality problems.....	226
printout problems.....	224
scanning problems.....	239
USB problems.....	234

U

Unavailable paper.....	267
USB.....	274
USB Host menu.....	137
USB menu.....	136

W

Watermark	
how to make.....	65
how to use.....	64

Z

Zoom ratio.....	106
-----------------	-----