

**SAMSUNG**

ML-5515ND AND ML-6515ND MONOCHROME LASER PRINTERS

**INCREASE PRODUCTIVITY AND SIMPLICITY  
AT THE SAME TIME.**



THE NEW  
BUSINESS  
EXPERIENCE



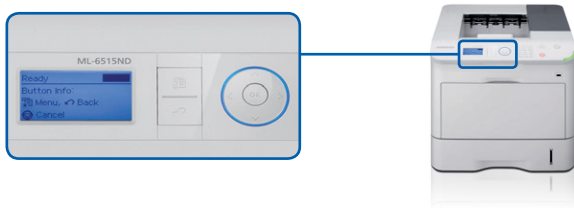
You make important decisions every business day. And the printer you decide to add to your workgroup can be among the most important. The Samsung ML-5515ND and ML-6515ND mono laser printers give you both advanced features and intelligent simplicity. With hassle-free integration and easy-to-use functionality, they deliver increased productivity to your workgroup. No matter what your job is, it's our job to make sure your choice of printers is a simple one.

Part of what makes Samsung technology so advanced is that we also design it to be easy to use. The Samsung ML-5515ND/6515ND printers enable you to do things you never could, and do them simply. That's Samsung's idea of the most advanced technology.



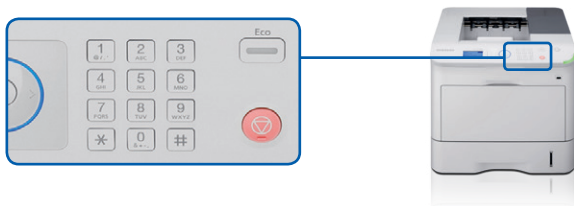
### Intuitive Controls, Numeric Keypad

Do exactly what you want to do, without having to stop and figure it out. The ML-5515ND/6515ND printers feature a four-line LCD and numeric keypad that let you work intuitively.



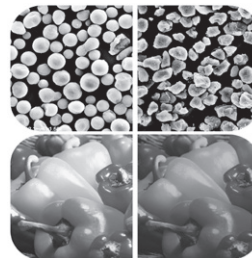
### Secure Printing

Samsung's Secure Job Release function makes printing sensitive documents easy. Simply send the job to the printer, then authorize it to print only when you enter your code on the printer itself.

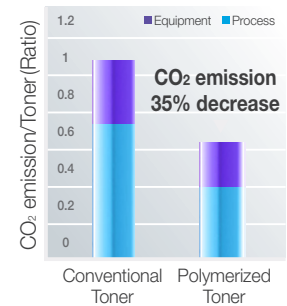


### No Slowing Down

Samsung's Anti-Jam Technology means a smoother, uninterrupted workflow. Our anti-jam roller is specifically engineered to minimize misfeeds and paper jams.



Polymerized Toner      Pulverized Toner



### Professional Images Made Easy

Samsung's Polymerized Toner is made of smaller, more uniform toner particles than traditional toner, and produces sharper and crisper images. Higher wax content protects printouts against folds and smudges better. And a lower fusing temperature helps reduce power consumption.

## SOFTWARE THAT SIMPLIFIES



**Samsung SyncThru Web Service** Uses a web interface to remotely manage your printer device, enabling you to check status information, customize settings and receive email alerts.



**Samsung SyncThru Web Admin** Provides proactive monitoring and remote management of your printer fleet through an easy-to-use dashboard. Remotely configure and update devices, keep track of supplies and create powerful analyses and reports.



**Samsung SmarThru Office** Creates, stores and edits scanned images, and delivers them directly to applications or folders on the user's PC.



**Samsung Barcode Printing (included)** Integrates seamlessly into enterprise applications to improve efficiency of automatic data collection processes.



**Samsung CounThru 2** Enables you to remotely monitor activity, as well as calculate and manage the costs of your entire printer network.

Accomplish more with less effort. That's the goal of the Samsung ML-5515ND/6515ND printers. With impressive speed, high capacities, simple functionality and highly professional results, the ML-5515ND/6515ND laser printers will make short work of your workday.



### Fast and Powerful

Time is money. So Samsung supplied the ML-5515ND/6515ND with a dual core 600MHz processor and Gigabit LAN support. You'll experience fast large-document print times, as well as performance usually associated with enterprise-level printers. Print speeds are a fast 55 ppm/65 ppm, respectively, and First Page Out Time (FPOT) is less than 8 seconds.

### Ready to Work, and Keep Working

With an impressive duty cycle of up to 300,000 prints per month, you can count on your Samsung printer to keep working.



### Efficient Paper Handling

The ML-5515ND/6515ND printers can handle your biggest jobs. They come standard with a 520-sheet cassette and 100-sheet multi-purpose tray, and you have the option of adding on either four more cassettes for a total input capacity of 2,700, or add two additional cassettes with a 2,000-sheet high-capacity feeder, for a total input capacity of 3,660 sheets.

The optional finishers add convenience, as does built-in duplexing. And the ML-5515ND/6515ND printers can accommodate envelopes, card stock and other special media, all from the main tray.

## SAVE THE PLANET. AND STILL GET ALL YOUR WORK DONE

Save the planet and increase efficiency at the same time. Samsung considers the environment with every technology we design. From features that use toner more efficiently to more streamlined product dimensions, the Samsung ML-5515ND/6515ND printers are designed with everyone on Earth in mind.

### Extra-High Yield Toner

Samsung gives you more for your money. Standard toner cartridges yield 10,000 pages, high-yield cartridges 30,000 pages, while extra high-yield cartridges provide up to 40,000 pages. You can achieve a lower cost per page and lower total cost of ownership. You'll also make fewer trips to the printer to replace cartridges, increasing productivity.



### Eco Mode Button

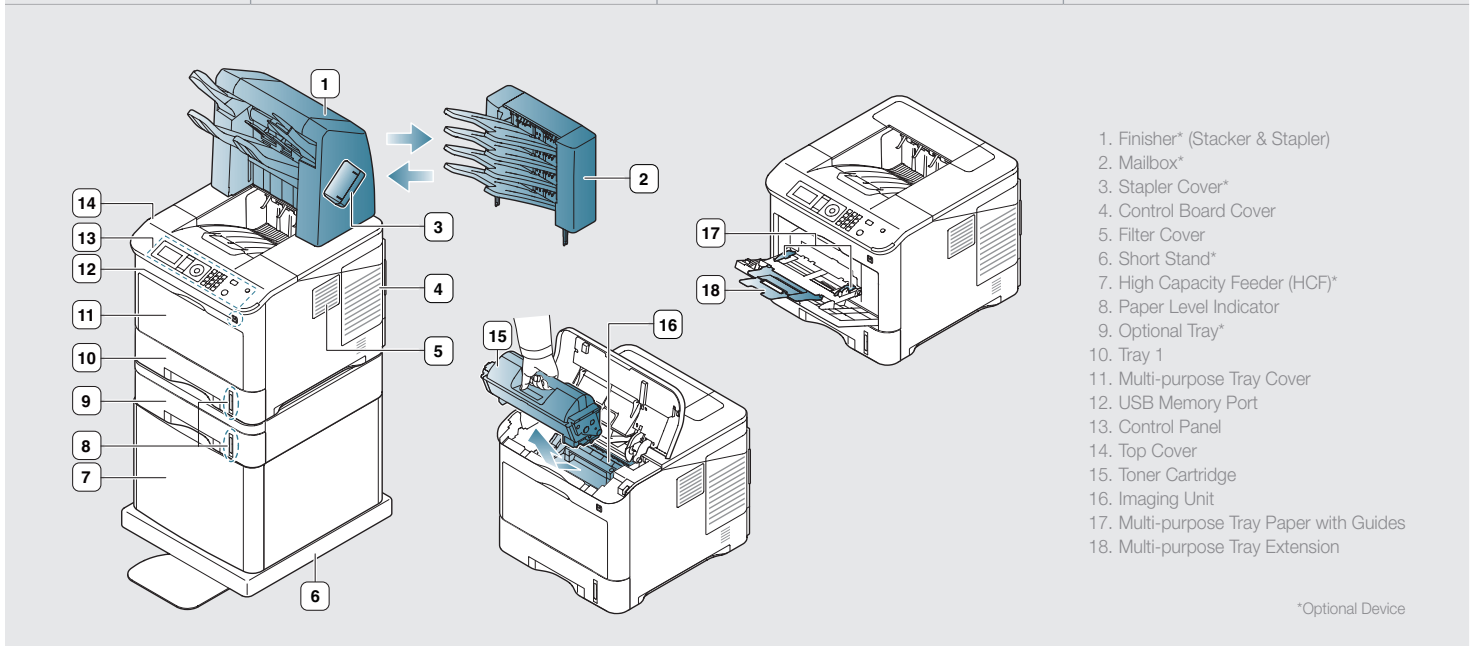
You can customize your settings to save a bundle, with built-in features like duplex, n-up and TonerSave, which reduces toner usage by up to 40%, with just a touch of the Eco Mode button.

### See Results with Result Simulator

With Samsung's unique Result Simulator, you can see exactly how much CO<sub>2</sub>, electricity and paper you've saved with the setting you've selected. It's an easy way of seeing just how much you're helping the environment.



	BASIC	ADVANCED	FULL-FEATURED
Configuration	Main Unit + 2nd Cassette Tray + Short Stand	Main Unit + 2nd Cassette Tray + 3rd Cassette Tray + 4th Cassette Tray + 5th Cassette Tray + Short Stand	Main Unit + 2nd Cassette Tray + 3rd Cassette Tray + Short Stand + Finisher with Stapler
Max Input Paper Capacity	520 (Cassette) x 2 + 100 (Multi-purpose) = 1,140	520 (Cassette) x 5 + 100 (Multi-purpose) = 2,700	520 (Cassette) x 3 + 100 (Multi-purpose) + 2,000 (High-Capacity Feeder) = 3,660
Max Output Paper Capacity	500 (Cassette)	500 (Cassette)	500 (Cassette) + 500 (Finisher) = 1,000



\*Optional Device

Specifications	ML-5515ND	ML-6515ND
Overview		
Function	Print	Print
Value Added Function	Eco Button	Eco Button
Print		
Speed Mono	Up to 55 ppm	Up to 65 ppm
Resolution	Up to 1,200 x 1,200 dpi effective output	Up to 1,200 x 1,200 dpi effective output
First Print Out Time (Mono)	As fast as 7.8 sec.	As fast as 7.8 sec.
Emulation	PCL5e, PCL6, IBM ProPrinter, EPSON, PostScript3, PDF Direct v1.7, XPS v1.0	PCL5e, PCL6, IBM ProPrinter, EPSON, PostScript3, PDF Direct v1.7, XPS v1.0
Duplex Print	Built-in	Built-in
Paper Handling		
Input Capacity	520-sheet Cassette, 100-sheet Multi Purpose Tray @80g/m2, (550-sheet Cassette, 100-sheet Multi Purpose Tray @75g/m2), 3,660 sheets (max)	520-sheet Cassette, 100-sheet Multi Purpose Tray @80g/m2, (550-sheet Cassette, 100-sheet Multi Purpose Tray @75g/m2), 3,660 sheets (max)
Output Capacity	500-Sheets Face Down; 1,000 sheets (max)	500-Sheets Face Down; 1,000 sheets (max)
Media Sizes	3" x 5"-8.5" x 14", Envelope: Monarch, No10, DL, C5, C6, No9	3" x 5"-8.5" x 14", Envelope: Monarch, No10, DL, C5, C6, No9
Media Type	Printer Default, Plain Paper, Thick Paper, Thin Paper, Bond Paper, Color Paper, Card Stock, Labels, Transparency, Envelope, Preprinted, Recycled Paper, Archive, Extra Thick	Printer Default, Plain Paper, Thick Paper, Thin Paper, Bond Paper, Color Paper, Card Stock, Labels, Transparency, Envelope, Preprinted, Recycled Paper, Archive, Extra Thick
Envelope Capacity	50 sheets from Cassette & 50 sheets from optional 1st Second Cassette, (Max. 100 sheets)	50 sheets from Cassette & 50 sheets from optional 1st Second Cassette, (Max. 100 sheets)
General		
Processor	Samsung 600 MHz Dual Core Processor	Samsung 600 MHz Dual Core Processor
Memory, Hard Drive	256MB (Max. 768MB) / 250GB (optional)	256MB (Max. 768MB) / 250GB (optional)
OS Compatibility	Windows 8/2000/XP (32/64 bits)/Vista (32/64 bits)/2003 Server (32/64 bits)/2008 Server (32/64 bits)/7 (32/64 bits)/2008 Server R2 (64 bits), Various Linux OS: RedHat Enterprise Linux WS 4, 5 (32/64 bit) Fedora 4, 5, 6, 7, 8, 9, 10, 11, 12 (32/64 bit) SuSE Linux 10.0, 10.1 (32 bit) OpenSuSE 10.2, 10.3, 11.0, 11.1, 11.2 (32/64 bit) Mandriva 2005, 2006, 2007, 2008, 2009, 2009.1 (32/64 bit) Ubuntu 5.04, 5.10, 6.06, 6.10, 7.04, 7.10, 8.04, 8.10, 9.04, 9.10 (32/64 bit) SuSE Linux Enterprise Desktop 10, 11 (32/64 bit) Debian 4.0, 5.0 (32/64 bit) Mac OS 10.3 ~ 10.6UNIX OS: Sun Solaris 9,10 (x86, SPARC) HP-LUX 11.0, 11i v1, 11i v2, 11i v3 (PA-RISC, Itanium) IBM AIX 5.1, 5.2, 5.3, 5.4	Windows 8/2000/XP (32/64 bits)/Vista (32/64 bits)/2003 Server (32/64 bits)/2008 Server (32/64 bits)/7 (32/64 bits)/2008 Server R2 (64 bits), Various Linux OS: RedHat Enterprise Linux WS 4, 5 (32/64 bit) Fedora 4, 5, 6, 7, 8, 9, 10, 11, 12 (32/64 bit) SuSE Linux 10.0, 10.1 (32 bit) OpenSuSE 10.2, 10.3, 11.0, 11.1, 11.2 (32/64 bit) Mandriva 2005, 2006, 2007, 2008, 2009, 2009.1 (32/64 bit) Ubuntu 5.04, 5.10, 6.06, 6.10, 7.04, 7.10, 8.04, 8.10, 9.04, 9.10 (32/64 bit) SuSE Linux Enterprise Desktop 10, 11 (32/64 bit) Debian 4.0, 5.0 (32/64 bit) Mac OS 10.3 ~ 10.6UNIX OS: Sun Solaris 9,10 (x86, SPARC) HP-LUX 11.0, 11i v1, 11i v2, 11i v3 (PA-RISC, Itanium) IBM AIX 5.1, 5.2, 5.3, 5.4
Interface	Ethernet 10/100/1000 Base TX, High Speed USB 2.0, Host USB 2 Port (Rear 1 Port & Front 1 Port), 802.11 b/g/n wireless network (Optional)	Ethernet 10/100/1000 Base TX, High Speed USB 2.0, Host USB 2 Port (Rear 1 Port & Front 1 Port), 802.11 b/g/n wireless network (Optional)
Noise Level	Less than 56dBA (Printing) Background Noise Only (Less than 30dBA) (Standby)	Less than 58dBA (Printing) Background Noise Only (Less than 30dBA) (Standby)
Duty Cycle, Monthly	300,000 sheets	300,000 sheets
Dimensions (H x W x D)	18.27" x 21.26" x 16.54"	18.27" x 21.26" x 16.54"
Weight	75.40 lbs. (Inc. Imaging Unit/Toner/WTB), 67.46 lbs. (exc. Imaging Unit/Toner/WTB)	76.72 lbs. (Inc. Imaging Unit/Toner/WTB), 68.78 lbs. (exc. Imaging Unit/Toner/WTB)
Power Consumption	800W (Active)/100W (Ready)/2.4W (Power Save), 3.9 kWh TEC	900W (Active)/120W (Ready)/3W (Power Save), 5.4 kWh TEC
Consumables		
Yield	Ships with 10,000 page Starter Toner Cartridge Standard (MLT-D309S): Average Cartridge Yield 10K standard pages High Yield (MLT-D309L): Average Cartridge Yield 30K standard pages Extra High-Yield (MLT-D309E): Average Cartridge Yield 40K standard pages Imaging Unit (MLT-R309): Average Yield 80K standard pages Declared cartridge yield in accordance with ISO/IEC 19752.	Ships with 10,000 page Starter Toner Cartridge Standard (MLT-D309S): Average Cartridge Yield 10K standard pages High Yield (MLT-D309L): Average Cartridge Yield 30K standard pages Extra High-Yield (MLT-D309E): Average Cartridge Yield 40K standard pages Imaging Unit (MLT-R309): Average Yield 80K standard pages Declared cartridge yield in accordance with ISO/IEC 19752.
Type	2-piece Cartridge (Toner & Imaging Unit)	2-piece Cartridge (Toner & Imaging Unit)
Options		
Options	520-sheet Cassette Tray (ML-S6512A/SEE) 2,000-sheet High Capacity Feeder (ML-H6512A/XAA) Short Stand (ML-DSK65S/SEE) 500-sheet Finisher with Stapler (ML-OCT65/SEE) 400-sheet Mailbox Sorter (ML-MBT65/SEE) 250 GB Hard Drive (ML-HDK470/SEE) 802.11b/g/n Wireless Adapter (ML-NWA65L/SEE) IEEE 1284B Parallel Adapter (ML-PAR100/SEE) 512MB Memory (ML-MEM170/SEE)	520-sheet Cassette Tray (ML-S6512A/SEE) 2,000-sheet High Capacity Feeder (ML-H6512A/XAA) Short Stand (ML-DSK65S/SEE) 500-sheet Finisher with Stapler (ML-OCT65/SEE) 400-sheet Mailbox Sorter (ML-MBT65/SEE) 250 GB Hard Drive (ML-HDK470/SEE) 802.11b/g/n Wireless Adapter (ML-NWA65L/SEE) IEEE 1284B Parallel Adapter (ML-PAR100/SEE) 512MB Memory (ML-MEM170/SEE)
Green Management		
Green Management	ENERGY STAR, EPA 2.0, Blue Angel, S.T.A.R. Program (Samsung Toner Recycling Program)	ENERGY STAR, EPA 2.0, Blue Angel, S.T.A.R. Program (Samsung Toner Recycling Program)

# SAMSUNG

Product Support: 1-866-SAM4BIZ | 1-800-SAMSUNG | [samsung.com/business](http://samsung.com/business) or [samsung.com/b2bprinters](http://samsung.com/b2bprinters)

Follow us:  @SamsungBizUSA |  [youtube.com/samsungbizusa](http://youtube.com/samsungbizusa)



Samsung Electronics has been named 2015 ENERGY STAR Partner of the Year in the product manufacturing category by the U.S. Environmental Protection Agency (EPA).

©2015 Samsung Electronics America, Inc. Samsung is a registered mark of Samsung Electronics Corp., Ltd. Specifications and designs are subject to change without notice. Non-metric weights and measurements are approximate. All other brand, product, service names and logos are trademarks and/or registered trademarks of their respective manufacturers and companies. Simulated screen images. See [samsung.com](http://samsung.com) for detailed information. Printed in USA on 50% recycled (30% post-consumer waste) paper using soy inks. PNT-ML5515NDML6515ND-APR15T

